



<b>MONROE</b>	OESPECTRUM	REFLEX	ORIGINAL			OESPECTRUM	REFLEX	ORIGINAL		
	RIDESENSE	ADVENTURE				RIDESENSE	ADVENTURE	LEVELING		

# ALFA ROMEO

## 1750, 2000

1750 Berlina, GT Veloce	68→ 72									
2000 Berlina	71→ 77			R1549					R2554	
2000 GT Veloce	71→ 76									

## ALFA 33

Speciale, 1350,1350 as, 1350 dc, 1500 dc	10.82→ 02.87									
1.2, 1.3, 1.3 as, 1.3 S, 1.5 as, 1.5, 1.5 Ti, 1.5 Quadrifoglio, 1.7 IE, 1.7 Quadrifoglio as, 1.7 Quadrifoglio, 1.7 IE Quadrifoglio, 1.2 dc, 1.3 dc, 1.8 TD	03.87→ 01.90				PK012					
→ Ricambi No.5455777	90→ 01.93				MK035 PK012					
Ricambi No.5455777→	2.93→ 9.94									

## ALFA 145, ALFA 146

1.3 8V, 1.6 8V, 1.7 16V	94→ 97				MK007 PK024				42057	PK130	
1.4 TS 16V, 1.6 TS 16V, 1.8 TS 16V	97→ 01.01			G16598	MC110 MK007 PK024				42057	PK130	
2.0 T.S 16V 1930 T.DS	94→ 01.01										
1910 JTD	99→ 01.01			16599	MC112 MK007 PK024				42057	PK130	

## ALFA 147

1.6, 2.0, 1.9 JTD, 1.9 JTDM	01.01→ 05.10	376059SP	E5091 <sup>1</sup>	45009	MK349 PK092		742058SP	E7044 <sup>1</sup>	G8019	MK200 PK023	
-----------------------------	--------------	----------	--------------------	-------	----------------	--	----------	--------------------	-------	----------------	--

## ALFA 155

(-) 2500 V6 (-) 2.5 TD (-) 2.0 Turbo (4 x 4) (-)	91→ 95			G16598	MC110 MK007 PK024			E1030 <sup>1</sup>	23430	PK130	
2500 V6, 2.5 TD (-)	91→ 95			16599	MC112 MK007 PK024			E1030 <sup>1</sup>	23430	PK130	
2.0 Turbo (=) (4 x 4) (-)	91→ 96			16599	MC112 MK007 PK024						
(-) 2500 V6 (-) 2.5 TD (-)	95→ 97			G16598	MC110 MK007 PK024				42057	PK130	
2500 V6, 2.5 TD (-)	95→ 97			16599	MC112 MK007 PK024				42057	PK130	

MC... =      MK... =      PK... =



<b>MONROE</b>	OESPECTRUM	REFLEX	ORIGINAL			OESPECTRUM	REFLEX	ORIGINAL		
	RIDESENSE	ADVENTURE				RIDESENSE	ADVENTURE	LEVELING		

**ALFA 156**

1.6 16V, 1.8 16V, 2.0 16V, 2.0 JTS, 2.5 24V, 1.9 JTD, 2.4 JTD (-)	09.97→09.05	376059SP	E5091 <sup>1</sup>	45009	MK349 PK092		742216SP	E4879 <sup>1</sup>	16748	MK200 PK023	
1.6 16V, 1.8 16V, 2.0 16V, 2.0 JTS, 2.5 24V, 1.9 JTD, 2.4 JTD (+)	09.97→09.05	376059SP	E5091 <sup>1</sup>	45009	MK349 PK092		742051SP	E4906 <sup>1</sup>		MK200 PK023	
3.2 GTA	01→09.05				MK349		742051SP	E4906 <sup>1</sup>		MK200 PK023	

**ALFA 156 SPORTWAGON**

1.6 16V, 1.8 16V, 2.0 16V, 2.0 JTS, 2.5 24V, 1.9 JTD, 2.4 JTD (=) (4 x 2)	05.00→05.06	376059SP	E5091 <sup>1</sup>	45009	MK349 PK092		742047SP	E4940 <sup>1</sup>	16406	<sup>136</sup> MK200 PK023	
3.2 GTA	01→ 9.05				MK349 PK092		742051SP	E4906 <sup>1</sup>		<sup>136</sup> MK200 PK023	

**ALFA 159**

1.8, 3.2 V6, 1.9 JTDM, 2.0 JTDM, 2.4 JTDM	05→07.11	742045SP	E2077 <sup>1</sup>		MK362 PK275		376078SP	E1366 <sup>1</sup>		MK429	
---	----------	----------	--------------------	--	----------------	--	----------	--------------------	--	-------	--

**ALFA 164**

Turbo : 2.0 4 Cyl.	87→ 98										
3.0 V6 <sup>140</sup> → ch.no. T 6183988 (-) Quadrifoglio (-)	87→04.90										
3.0 V6 <sup>141</sup> (-) Quadrifoglio (-)	87→10.90				MK040				16538	<sup>136</sup> MK116 PK007	
T.D. T. : 2.0	87→10.90										
T. : 2.0	87→ 98										
V6 Turbo : 2.0 6 Cyl.	91→ 98										
3.0 V6 <sup>140</sup> (=) (4 x 2) ch.no. T 6183989 → (-) Quadrifoglio (-)	4.90→ 98										
3.0 V6 <sup>141</sup> (=) (4 x 2) (-) Quadrifoglio (-)	10.90→ 98			G16574	MK041				16538	<sup>136</sup> MK116 PK007	
T.D. T. : 2.0 (-)											

**ALFA 166**

2.0 16V, 2.0 V6 Turbo, 2.5 V2 24V, 3.0 V6 24V, 2.4 JTD	08.98→06.08		E1276 <sup>1</sup>	G1260	MK349 PK092			E1277 <sup>1</sup>	G1261		
3.2 V6	07.03→06.08										

**AR 8**

35 AR 8				V1079					V1056		
---------	--	--	--	-------	--	--	--	--	-------	--	--

MC... =      MK... =      PK... =



	OESPECTRUM	REFLEX	ORIGINAL			OESPECTRUM	REFLEX	ORIGINAL		
	RIDESENSE	ADVENTURE				RIDESENSE	ADVENTURE	LEVELING		

### BRERA (939)

	01.06 → 03.11	<b>742045SP</b>	E2077 <sup>1</sup>		MK362 PK275		<b>376078SP</b>	E1366 <sup>1</sup>		MK429	
--	---------------	-----------------	--------------------	--	----------------	--	-----------------	--------------------	--	-------	--

### GIULIA

1.3, 1.6	62 → 65			R1549							
1.3, 1.6, 1.8, Diesel (+/-) GT/Ti (+/-) Junior/Super/Coupé	66 → 80			R1549				R2554			

### GIULIETTA

	04.10 →			G8312 	PK355				G2524		
				G8313 							

### GT

2.0, 1.9 JTD	11.03 → 09.10	<b>376059SP</b>	E5091 <sup>1</sup>	45009	MK349 PK092		<b>742046SP</b>	E7101 <sup>1</sup>		MK200 PK023	
3.2 GTA	11.03 → 09.10	<b>376059SP</b>	E5091 <sup>1</sup>	45009	MK349 PK092		<b>742051SP</b>	E4906 <sup>1</sup>		MK200 PK023	

### GTV

2.0 TS 16V → vet.no. 6037256	11.94 → 97		E4583 <sup>1</sup>		MC110			E5075 <sup>1</sup>			
2.0 Turbo V6	06.95 → 09.98							E5075 <sup>1</sup>			
3.0 V 6 24V	10.96 → 03.03										
3.2 V 6 24V, 2.0 TS CUP	03.03 → 10.04										
2.0 TS 16 V vet.no. 6037256 →	06.95 → 10.05		E4919 <sup>1</sup>		MC110			E5075 <sup>1</sup>			
1.8 TS	09.97 → 03.03										

### MITO

1.4, 1.4 Turbo, 1.3 JTD, 1.6 JTD	08 →			G8112 	MC212 MK305 PK140				G1091	MK384R MK385L PK018	
				G8113 							

### SPIDER

1300, 1600 Junior	68 → 72			R1549					R2554		
1600, 2000 Veloce	71 → 77										
1750 Veloce	68 → 72										
2.0 TS 16V → vet.no. 6037256	11.94 → 97		E4583 <sup>1</sup>		MC110			E5075 <sup>1</sup>			
2.0 TS 16V vet.no. 6037256 →	97 → 98							E5075 <sup>1</sup>			
1.8 TS	98 → 02		E4919 <sup>1</sup>		MC110						
2.0 TS	98 → 03										
2.0 TB V6	98 → 4.05										
3.0 V6 12V	11.94 → 02							E5075 <sup>1</sup>			
3.0 V6 24V, 3.2 V6 24V	99 → 4.05										
2.0 TS, 2.0 JTS	03 → 04.05							E5075 <sup>1</sup>			

MC... =      MK... =      PK... =



	OESPECTRUM	REFLEX	ORIGINAL			OESPECTRUM	REFLEX	ORIGINAL		
	RIDESENSE	ADVENTURE				RIDESENSE	ADVENTURE	LEVELING		

## ARO



240, 243, 244	76 → 06						D4426			
---------------	---------	--	--	--	--	--	-------	--	--	--

## AUDI

### 50

L, LS, GT	74 → 7.75			MR828	MK034 PK047					
L, LS, GT	8.75 → 78			MR828	MK034 PK047			R3720	PK016	

### 80

	72 → 08.78			MR976	PK047					PK015	
	09.78 → 81										
 (-) (-) Quattro (-) HD	81 → 08.91			MR976	MK032 PK047			R3738	PK015		
 (-)	83 → 08.91			MR976	MK032 PK047			MG314			
 (+) ND (-) Quattro (-) S2	09.91 → 10.94		E3420 <sup>1</sup>	MR257	MC114 MK032 PK047		E1041 <sup>1</sup>	R3778	MK117 PK015		
 (+) SP	09.91 → 10.94		E3420 <sup>1</sup>	MR257	MC114 MK032				MK117		
 (+) ND (+) SP (+) Competition	92 → 10.94		E3420 <sup>1</sup>	MR257	MC114		E2021 <sup>1</sup>	G2236			
S2	92 → 10.94						E2021 <sup>1</sup>	G2236			

### 80

	72 → 91			R1601						
--	---------	--	--	-------	--	--	--	--	--	--

### 80 AVANT

 (+) ND (-) Quattro (-) RS2 (-) S2	09.91 → 96		E3420 <sup>1</sup>	MR257	MC114 MK032 PK047		E1041 <sup>1</sup>	R3778	MK117	
 (+) SP	09.91 → 96		E3420 <sup>1</sup>	MR257	MC114 MK032				MK117	
 (+) ND (+) SP	92 → 96		E3420 <sup>1</sup>	MR257	MC114		E2021 <sup>1</sup>	G2236		
S2	93 → 96						E2021 <sup>1</sup>	G2236		

MC... =

MK... =

PK... =





	OESPECTRUM	REFLEX	ORIGINAL			OESPECTRUM	REFLEX	ORIGINAL		
	RIDESENSE	ADVENTURE				RIDESENSE	ADVENTURE	LEVELING		

**80 VARIANT**

	09.78 → 81			MR976	MK032 PK047				R3738	PK015	
--	------------	--	--	-------	----------------	--	--	--	-------	-------	--

**80 VARIANT**

	72 → 81			R1601							
--	---------	--	--	-------	--	--	--	--	--	--	--

**80 CABRIOLET**

Cabriolet	6.91 → 8.00			MR257	MC114 MK032				G55015		
-----------	-------------	--	--	-------	----------------	--	--	--	--------	--	--

**90**

	84 → 08.91			MR976	MK032 PK047				R3738	PK015	
(-) 2.3 L - kW 129 (-) (-) Quattro (-)											
Quattro (-)	84 → 08.91			MR976	MK032 PK047				MG314		

**90**

(-) Quattro	84 → 8.91			R1601							
-------------	-----------	--	--	-------	--	--	--	--	--	--	--

**100**

	69 → 76			R1601							
--	---------	--	--	-------	--	--	--	--	--	--	--

**100**

	76 → 8.82		E3817 <sup>1</sup>	MR315	<b>I2</b>					PK014	
(-) Quattro (-) S4	09.82 → 94		E3817 <sup>1</sup>	MR315	MK044 PK038			E2003 <sup>1</sup>	R6335	<b>I36</b> MK119 PK094	
Quattro (-) 2.2 220 PS - kW 162 (-) (-) S4	10.84 → 94		E3817 <sup>1</sup>	MR315	MK044 PK038				26339	<b>I36</b>	
Quattro (+)	91 → 94			MR315	MK043				26340	<b>I36</b>	
<b>S4</b> 2.2 (-) 4.2 (-)	92 → 94			MR315					26340	<b>I36</b>	

**100 AVANT**

	76 → 8.82		E3817 <sup>1</sup>	MR315	<b>I2</b>					PK014	
(-) Quattro (-) S4	03.83 → 94		E3817 <sup>1</sup>	MR315	MK044 PK038			E2003 <sup>1</sup>	R6335	<b>I36</b> MK119 PK094	
Quattro (-) (-) S4	10.84 → 94		E3817 <sup>1</sup>	MR315	MK044				26339	<b>I36</b>	
Quattro (+)	09.91 → 94			MR315	MK043				26340	<b>I36</b>	
<b>S4</b> Avant 2.2 (-) 4.2 (-)	92 → 94			MR315					26340	<b>I36</b>	

MC... =

MK... =

PK... =



<b>MONROE</b>	OESPECTRUM	REFLEX	ORIGINAL			OESPECTRUM	REFLEX	ORIGINAL		
	RIDESENSE	ADVENTURE				RIDESENSE	ADVENTURE	LEVELING		

**200**

	79→ 08.82			MR315	I2					PK014		
	(-) Quattro	06.83→ 10.90		E3817 <sup>1</sup>	MR315	MK044 PK038			E2003 <sup>1</sup>	R6335	I36 MK119 PK094	
	Quattro (-) 2.2 220 PS - kW 162	10.84→ 10.90		E3817 <sup>1</sup>	MR315	MK044 PK038				26339	I36	
	2.2 220 PS, kW 162 Quattro	02.88→ 10.90		E3817 <sup>1</sup>	MR315	MK044				26340	I36	

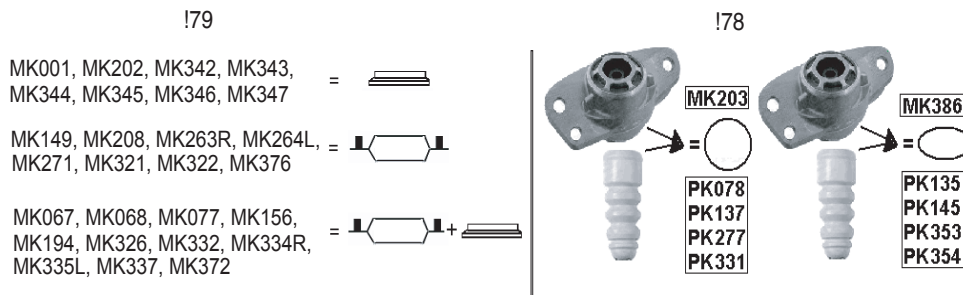
**200 AVANT**

	(-) Quattro	10.84→ 09.91		E3817 <sup>1</sup>	MR315	MK044 PK038			E2003 <sup>1</sup>	R6335	I36 MK119 PK094	
	Quattro (-)	10.84→ 09.91		E3817 <sup>1</sup>	MR315	MK044				26339	I36	

**A1, A1 SPORTBACK**

1.2 TFSi, 1.4 TFSi (122 PS), 05.10→ 1.6 TDi (+)	742036SP	E7091 <sup>1</sup>	G8109	MK344 MK077 I79 PK076		376041SP	E1309 <sup>1</sup>			MK118 PK078	
1.2 TFSi, 1.4 TFSi (122 PS), 05.10→ 1.4 TFSi (185 PS), 1.6 TDi (+) (+)	742044SP			MK344 MK077 I79 PK076		376041SP	E1309 <sup>1</sup>			MK118 PK078	

**I78/I79**

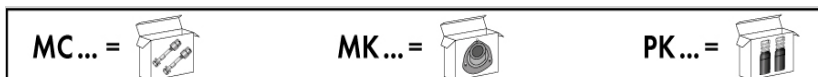


**A1 QUATTRO, S1 QUATTRO, A1 SPORTBACK QUATTRO**

1.4 TFSi (185 PS)	5.10→				MK344 MK077 PK076						
-------------------	-------	--	--	--	-------------------------	--	--	--	--	--	--

**A2**

1.4 16V, 1.6 FSi, 1.4 TDi (+) (-) 1.2 TDi	02.00→ 08.05			G16309	MK345 MK156 I79 PK012				23948	MK118	
1.4 16V, 1.6 FSi, 1.4 TDi (+) (-) 1.2 TDi	02.00→ 08.05	742042SP	E4998 <sup>1</sup>		MK345 MK156 I79 PK012		376041SP	E1309 <sup>1</sup>		MK118	
1.4 16V, 1.6 FSi, 1.4 TDi (+) (-) 1.2 TDi	02.00→ 08.05	742042SP	E4998 <sup>1</sup>		MK345 MK156 I79 PK012		376036SP			MK118	
1.2 TDi 3 L	02.00→ 08.05		∅	∅	MK345 MK156 I79 PK012			∅	∅	MK118	





<b>MONROE</b>	OESPECTRUM	REFLEX	ORIGINAL			OESPECTRUM	REFLEX	ORIGINAL		
	RIDESENSE	ADVENTURE				RIDESENSE	ADVENTURE	LEVELING		

**A3**

1.6, 1.8, 1.8 Turbo, 09.96→04.03 1.9 TDi (+) (-) Quattro	<b>742257SP</b>	E4593 <sup>1</sup>	16731	MK344 MK077 I79 PK076		<b>376225SP</b>	E1221 <sup>1</sup>	23890	MK118 PK078	
09.96→04.03 (+) (-) Quattro	<b>742256SP</b>	E4858 <sup>1</sup>		MK344 MK077 I79 PK076		<b>376229SP</b>	E1212 <sup>1</sup>		MK118 PK078	
09.96→04.03 (+) (-) Quattro	<b>742256SP</b>	E4858 <sup>1</sup>		MK344 MK077 I79 PK076		<b>376231SP</b>	E1205 <sup>1</sup>		MK118 PK078	
1.4 TFSi, 1.6, 1.6 FSi, 1.8 Ti, 05.03→03.13 1.8 TFSi, 2.0 FSi, 2.0 T FSi, 1.9 TDi, 2.0 TDi (+) (-) Quattro	<b>742243SP</b>	E7028 <sup>1</sup>	G16495	I64 Ø 50mm (A) MK345 MK194 I79 PK163		<b>376027SP</b>	E1336 <sup>1</sup>	23978	I78 MK203 MK386 PK135 PK277	
	<b>742247SP</b>	E7030 <sup>1</sup>	G16497	I64 Ø 55mm (B) MK345 MK194 I79 PK163						
1.4 TFSi, 1.6, 1.6 FSi, 1.8 Ti, 05.03→03.13 1.8 TFSi, 2.0 FSi, 2.0 T FSi, 1.9 TDi, 2.0 TDi (+) (-) Quattro	<b>742246SP</b>	E7056 <sup>1</sup>		I64 Ø 50mm (A) MK345 MK194 I79 PK163		<b>376027SP</b>	E1336 <sup>1</sup>	23978	I78 MK203 MK386 PK135 PK277	
	<b>742252SP</b>	E7067 <sup>1</sup>		I64 Ø 55mm (B) MK345 MK194 I79 PK163						
1.4 TFSi, 1.6, 1.6 FSi, 1.8 Ti, 05.03→03.13 1.8 TFSi, 2.0 FSi, 2.0 T FSi, 1.9 TDi, 2.0 TDi (+) (-) Quattro	<b>742243SP</b>	E7028 <sup>1</sup>	G16495	I64 Ø 50mm (A) MK345 MK194 I79 PK163				23981	I78 MK203 MK386 PK135 PK277	
	<b>742245SP</b>	E7057 <sup>1</sup>		I64 Ø 55mm (B) MK345 MK194 I79 PK163						

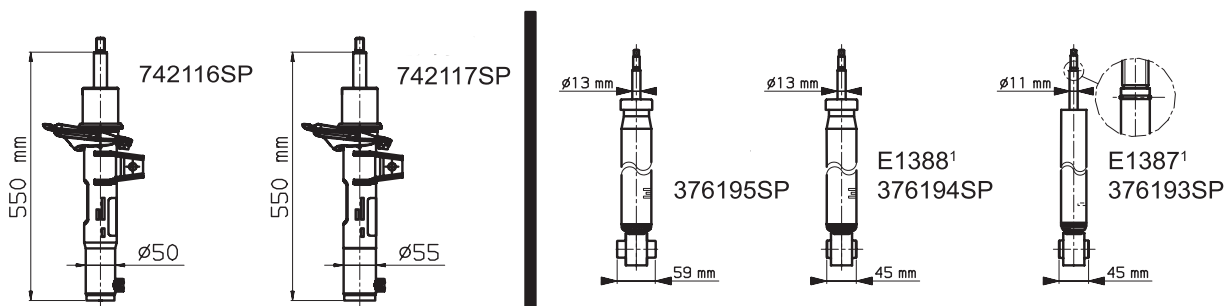
**I64**



**A3 (8V)**

1.2 TFSi, 1.4 TFSi, 1.8 TFSi, 12→ 1.6 TDi, 2.0 TDi (-)	<b>742116SP</b>			Ø 50 mm I86 MK411		<b>376193SP</b>	E1387 <sup>1</sup>			
	<b>742117SP</b>			Ø 55 mm I86 MK411		<b>376194SP</b>	E1388 <sup>1</sup>		I86	
							<b>376195SP</b>			

**I86**



MC... =	MK... =	PK... =
---------	---------	---------



<b>MONROE</b>	OESPECTRUM	REFLEX	ORIGINAL			OESPECTRUM	REFLEX	ORIGINAL		
	RIDESENSE	ADVENTURE				RIDESENSE	ADVENTURE	LEVELING		

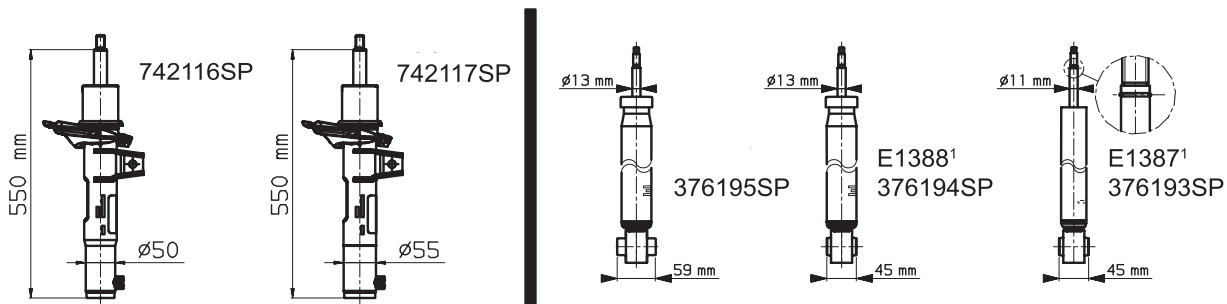
### A3 QUATTRO

(+) <b>ND</b> → ch.no. BL#X#140 000 (-) S3	09.97→06.99	<b>742257SP</b>	E4593 <sup>1</sup>	<b>16731</b>	MK344 MK077 <b>!79</b> PK076		<b>376055SP</b>	E1261 <sup>1</sup>	<b>G1236</b>		
(+) <b>HD</b> → ch.no. BL#X#140 000	09.97→06.99	<b>742256SP</b>	E4858 <sup>1</sup>		MK344 MK077 <b>!79</b> PK076		<b>376060SP</b>	E1262 <sup>1</sup>			
(+) <b>SP</b> → ch.no. BL#X#140 000	09.97→06.99	<b>742256SP</b>	E4858 <sup>1</sup>		MK344 MK077 <b>!79</b> PK076		<b>376055SP</b>	E1261 <sup>1</sup>	<b>G1236</b>		
(-) S3 ch.no. BL#X#140 001 →	06.99→04.03	<b>742055SP</b>	E4947 <sup>1</sup>		MK344 MK077 <b>!79</b> PK076		<b>376055SP</b>	E1261 <sup>1</sup>	<b>G1236</b>		
(+) <b>HD</b> ch.no. BL#X#140 001 →	06.99→04.03	<b>742055SP</b>	E4947 <sup>1</sup>		MK344 MK077 <b>!79</b> PK076		<b>376060SP</b>	E1262 <sup>1</sup>			
<b>S3 Quattro</b> (-) <b>SP</b>	11.98→04.03	<b>742043SP</b>	E4950 <sup>1</sup>		MK344 MK077 <b>!79</b> PK076		<b>376055SP</b>	E1261 <sup>1</sup>	<b>G1236</b>		
<b>2.0 TFSi , 3.2 V6 , 2.0 TDi</b>	05.03→03.13	<b>742252SP</b>	E7067 <sup>1</sup>		MK345 MK194 <b>!79</b> PK163		<b>376027SP</b>	E1336 <sup>1</sup>	<b>23978</b>	MK203 MK386 <b>!79</b> PK135 PK277	
<b>2.0 TFSi , 3.2 V6, 2.0 TDi ,</b> (+) <b>HD</b>	05.03→03.13								<b>23981</b>		

### A3 QUATTRO (8V)

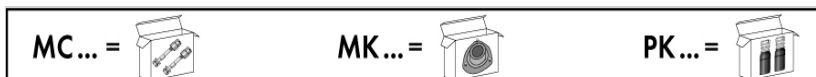
<b>1.4 TFSi, 1.8TFSi, 1.6 TDi, 2.0 TDi</b>	12→	<b>742116SP</b>			<b>Ø 50 mm</b> <b>!86</b> MK411		<b>376195SP</b>			<b>!86</b>	
(-) (+) S3		<b>742117SP</b>			<b>Ø 55 mm</b> <b>!86</b> MK411						

**!86**



### A3 SPORTBACK

<b>1.4 TFSi, 1.6, 1.6 FSi, 1.8 TFSi, 2.0 FSi, 2.0 T FSi, 1.9 TDi, 2.0 TDi</b> (+) <b>ND</b> (-) Quattro	05.03→03.13	<b>742243SP</b>	E7028 <sup>1</sup>	<b>G16495</b>	<b>!64</b> <b>Ø 50mm (A)</b> MK345 MK194 <b>!79</b> PK163		<b>376027SP</b>	E1336 <sup>1</sup>	<b>23978</b>	<b>!78</b> MK203 MK386 PK135 PK277	
		<b>742247SP</b>	E7030 <sup>1</sup>	<b>G16497</b>	<b>!64</b> <b>Ø 55mm (B)</b> MK345 MK194 <b>!79</b> PK163						
<b>1.4 TFSi, 1.6, 1.6 FSi, 1.8 TFSi, 2.0 FSi, 2.0 T FSi, 1.9 TDi, 2.0 TDi</b> (+) <b>SP</b> (-) Quattro	05.03→03.13	<b>742246SP</b>	E7056 <sup>1</sup>		<b>!64</b> <b>Ø 50mm (A)</b> MK345 MK194 <b>!79</b> PK163		<b>376027SP</b>	E1336 <sup>1</sup>	<b>23978</b>	<b>!78</b> MK203 MK386 PK135 PK277	
		<b>742252SP</b>	E7067 <sup>1</sup>		<b>!64</b> <b>Ø 55mm (B)</b> MK345 MK194 <b>!79</b> PK163						

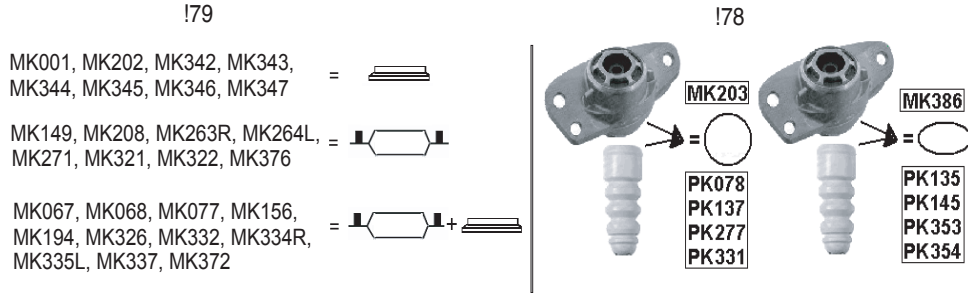




<b>MONROE</b>	OESPECTRUM	REFLEX	ORIGINAL			OESPECTRUM	REFLEX	ORIGINAL		
	RIDESENSE	ADVENTURE				RIDESENSE	ADVENTURE	LEVELING		

1.4 TFSi, 1.6, 1.6 FSi, 1.8 TFSi, 2.0 FSi, 2.0 T FSi, 1.9 TDi, 2.0 TDi (+) HD (-) Quattro	05.03→ 12	742243SP	E7028 <sup>1</sup>	G16495	I64 Ø 50mm (A) MK345 MK194 I79 PK163	23981	I78 MK203 MK386 PK135 PK277	
		742245SP	E7057 <sup>1</sup>		I64 Ø 55mm (B) MK345 MK194 I79 PK163			

**I78/I79**



**I64**



**A3 SPORTBACK (8V)**

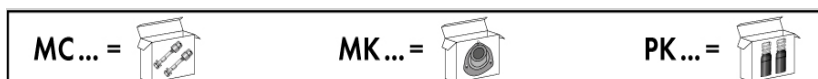
1.2 TFSi, 1.4 TFSi, 1.8 TFSi, 1.6 TDi, 2.0 TDi (-)	12→	742116SP			Ø 50 mm I86 MK411	376193SP	E1387 <sup>1</sup>		
		742117SP			Ø 55 mm I86 MK411	376194SP	E1388 <sup>1</sup>	I86	
						376195SP			

**A3 SPORTBACK QUATTRO**

2.0 TFSi, 3.2 V6, 2.0 TDi (+) SP (+) ND	05.03→ 03.13	742252SP	E7067 <sup>1</sup>		MK345 MK194 I79 PK163	376027SP	E1336 <sup>1</sup>	23978	I78 MK203 MK386 I78 PK135 PK277	
	05.03→ 03.13				PK135 PK277			23981	I78 MK203 MK386	

**A3 SPORTBACK QUATTRO (8V)**

1.8 TFSi, 2.0 TDi (-)	13→	742116SP			Ø 50 mm I86 MK411	376195SP			I86	
		742117SP			Ø 55 mm I86 MK411					





<b>MONROE</b>	OESPECTRUM	REFLEX	ORIGINAL			OESPECTRUM	REFLEX	ORIGINAL		
	RIDESENSE	ADVENTURE				RIDESENSE	ADVENTURE	LEVELING		

**A4**

	95→ 99	<b>376091SP</b>	E2022 <sup>1</sup>	<b>26650</b>	MK190 PK088		<b>376017SP</b>	E1088 <sup>1</sup>	<b>23817</b>	MK188 PK077	
(+) (-) 2.5 TDi V6 (-) Quattro											
<b>2.5 TDi V6</b>	98→ 99	<b>376028SP</b>	E2034 <sup>1</sup>	<b>26654</b>	MK190 PK088		<b>376017SP</b>	E1088 <sup>1</sup>	<b>23817</b>	MK188 PK077	
(+) (-) Quattro											
	95→ 99	<b>376237SP</b>	E2024 <sup>1</sup>		MK190 PK088		<b>376235SP</b>			MK188 PK016	
(+) (-) Quattro											
	95→ 99			<b>26655</b>	MK190 PK088				<b>23894</b>	MK188 PK016	
(+) (-) Quattro											
<b>1.6, 1.8 20V, 1.8 20V Turbo, 2.4 V6 30V, 2.8 V6 30V, 1.9 TDi, 2.5 V6 24V TDi</b>	01.99→ 11.00	<b>376028SP</b>	E2034 <sup>1</sup>	<b>26654</b>	MK190 PK088		<b>376232SP</b>	E1243 <sup>1</sup>	<b>23905</b>	MK188 PK077	
(+) (-) Quattro (-)											
<b>1.6, 1.8 20V, 1.8 20V Turbo, 2.4 V6 30V, 2.8 V6 30V, 1.9 TDi, 2.5 V6 24V TDi</b>	01.99→ 11.00		E2043 <sup>1</sup>		MK190 PK088		<b>376232SP</b>	E1243 <sup>1</sup>		MK188 PK016	
(+) (-) Quattro (-)											
<b>1.6, 1.8 20V, 1.8 20V Turbo, 2.4 V6 30 V, 2.8 V6 30V, 1.9 TDi, 2.5 V6 24V TDi</b>	01.99→ 11.00			<b>26655</b>	MK190 PK088					MK188	
(+) (-) Quattro											
	11.00→ 11.04	<b>376005SP</b>	E2053 <sup>1</sup>	<b>26665</b>	MK207 PK175		<b>376061SP</b>	E1283 <sup>1</sup>	<b>23956</b>	MK297 PK137	
(+) (-) Quattro											
	11.00→ 11.04	<b>376071SP</b>	E2054 <sup>1</sup>		MK207 PK175		<b>376031SP</b>	E1284 <sup>1</sup>		MK297 PK137	
(+) (-) Quattro											
	11.00→ 10.07	<b>376006SP</b>	E2055 <sup>1</sup>		MK207 PK175		<b>376009SP</b>	E1285 <sup>1</sup>		MK297 PK137	
(+) (-) Quattro											
	11.04→ 10.07	<b>376005SP</b>	E2053 <sup>1</sup>	<b>26665</b>	MK207 PK175		<b>376007SP</b>	E1355 <sup>1</sup>	<b>G1055</b>	MK297 PK137	
(+) (-) Quattro											
	12.04→ 10.07	<b>376176SP</b>	E2067 <sup>1</sup>		MK207 PK175		<b>376008SP</b>	E1356 <sup>1</sup>		MK297 PK137	
(+) (-) Quattro											
<b>1.8 TFSi, 2.0 TFSi, 3.0 TFSi, 3.2 FSi, 2.0 TDi, 3.0 TDi</b>	04.08→ 12.15	<b>376042SP</b>	E8502 <sup>1</sup>		MK361 PK281		<b>376023SP</b>	E7808 <sup>1</sup>	<b>G2514</b>	MK388 PK279	
(+) (-) Quattro											
<b>1.8 TFSi, 2.0 TFSi, 3.0 TFSi, 3.2 FSi, 2.0 TDi, 3.0 TDi</b>	04.08→ 12.15	<b>376178SP</b>	E8503 <sup>1</sup>		MK361 PK281		<b>376214SP</b>			MK388 PK279	
(+) (-) Quattro											

**A4 QUATTRO**

	95→ 99	<b>376091SP</b>	E2022 <sup>1</sup>		MK190 PK088		<b>376236SP</b>	E2020 <sup>1</sup>			
(+) (-) 2.5 TDi V6 (-)											
<b>2.5 TDi V6</b>	98→ 99	<b>376028SP</b>	E2034 <sup>1</sup>	<b>26654</b>	MK190 PK088		<b>376236SP</b>	E2020 <sup>1</sup>			
(+)											

MC... =      MK... =      PK... =



	OESPECTRUM	REFLEX	ORIGINAL			OESPECTRUM	REFLEX	ORIGINAL		
	RIDESENSE	ADVENTURE				RIDESENSE	ADVENTURE	LEVELING		

	95→ 99	<b>376237SP</b>	E2024 <sup>1</sup>		MK190 PK088			E2037 <sup>1</sup>					
(+)													
	95→ 99			26655	MK190 PK088								
(+)													
1.8 20V, 1.8 20V Turbo, 2.4 V6 30V, 2.8 V6 30V, 1.9 TDi, 2.5 V6 24V TDi	01.99→ 11.00	<b>376028SP</b>	E2034 <sup>1</sup>	26654	MK190 PK088			<b>376236SP</b>	E2020 <sup>1</sup>				
(+)													
(-) S4													
(-)													
1.8 20V, 1.8 20V Turbo, 2.4 V6 30V, 2.8 V6 30V, 1.9 TDi, 2.5 V6 24V TDi	01.99→ 11.00		E2043 <sup>1</sup>		MK190 PK088			E2037 <sup>1</sup>					
(+)													
(-)													
(-) S4													
1.8 20V, 1.8 20V Turbo, 2.4 V6 30V, 2.8 V6 30V, 1.9 TDi,	01.99→ 11.00			26655	MK190 PK088								
(+)													
(-) S4													
	11.00→ 11.04	<b>376005SP</b>	E2053 <sup>1</sup>	26665	MK207 PK175			<b>376061SP</b>	E1283 <sup>1</sup>	23956	MK297 PK101		
(+)													
(-) S4, RS4													
	11.00→ 11.04	<b>376071SP</b>	E2054 <sup>1</sup>		MK207 PK175			<b>376031SP</b>	E1284 <sup>1</sup>		MK297 PK101		
(+)													
(-) S4, RS4													
	11.00→ 10.07	<b>376006SP</b>	E2055 <sup>1</sup>		MK207 PK175			<b>376009SP</b>	E1285 <sup>1</sup>		MK297 PK101		
(+)													
	12.04→ 11.07	<b>376005SP</b>	E2053 <sup>1</sup>	26665	MK207 PK175			<b>376007SP</b>	E1355 <sup>1</sup>	G1055	MK297 PK101		
(+)													
(-) S4, RS4													
	12.04→ 11.07	<b>376176SP</b>	E2067 <sup>1</sup>		MK207 PK175			<b>376008SP</b>	E1356 <sup>1</sup>		MK297 PK101		
(+)													
(-) S4, RS4													
1.8 TFSi, 2.0 TFSi, 3.0 TFSi, 04.08→ 05.16 3.2 FSi, 2.0 TDi, 3.0 TDi	04.08→ 05.16	<b>376042SP</b>	E8502 <sup>1</sup>		MK361 PK281			<b>376023SP</b>	E7808 <sup>1</sup>	G2514	MK388 PK279		
(+)													
1.8 TFSi, 2.0 TFSi, 3.0 TFSi, 04.08→ 12.15 3.2 FSi, 2.0 TDi, 3.0 TDi	04.08→ 12.15	<b>376178SP</b>	E8503 <sup>1</sup>		MK361			<b>376214SP</b>			MK388		
(+)													

**A4 AVANT**

	96→ 99	<b>376091SP</b>	E2022 <sup>1</sup>	26650	MK190 PK088			<b>376057SP</b>	E1166 <sup>1</sup>	23842	MK188 PK077		
(+)													
(-) 2.5 TDi V6													
(-) Quattro													
2.5 TDi V6	98→ 99	<b>376028SP</b>	E2034 <sup>1</sup>	26654	MK190 PK088			<b>376057SP</b>	E1166 <sup>1</sup>	23842	MK188 PK077		
(+)													
(-) Quattro													
	96→ 99	<b>376237SP</b>	E2024 <sup>1</sup>		MK190 PK088			<b>376235SP</b>			MK188 PK077		
(+)													
(-) Quattro													
	96→ 99			26655	MK190 PK088					23894	MK188		
(+)													
(-) Quattro													
1.6, 1.8 20V, 1.8 20V Turbo, 2.4 V6 30V, 2.8 V6 30V, 1.9 TDi, 2.5 V6 24V TDi	01.99→ 11.00	<b>376028SP</b>	E2034 <sup>1</sup>	26654	MK190 PK088					23906	MK188 PK077		
(+)													
(-) Quattro													
(-)													

MC... =      MK... =      PK... =



	MONROE		OESPECTRUM	REFLEX	ORIGINAL			OESPECTRUM	REFLEX	ORIGINAL		
	RIDESENSE	ADVENTURE	RIDESENSE	ADVENTURE				LEVELING				
1.6, 1.8 20V, 1.8 20V Turbo, 01.99→11.00 2.4 V6 30V, 2.8 V6 30V, 1.9 TDi, 2.5 V6 24V TDi (+) (-) Quattro (-)				E2043 <sup>1</sup>		MK190 PK088		376232SP	E1243 <sup>1</sup>		PK077 MK188 PK077	
1.6, 1.8 20V, 1.8 20V Turbo, 01.99→11.00 2.4 V6 30V, 2.8 V6 30V, 1.9 TDi, 2.5 V6 24V TDi (+) (-) Quattro					26655	MK190 PK088					MK188 PK077	
11.00→11.04 (+) (-) Quattro	376005SP	E2053 <sup>1</sup>	26665			MK207 PK175		376061SP	E1283 <sup>1</sup>	23956	MK297 PK137	
11.00→11.04 (+) (-) Quattro	376071SP	E2054 <sup>1</sup>				MK207 PK175		376031SP	E1284 <sup>1</sup>		MK297 PK137	
11.00→06.08 (+) (-) Quattro	376006SP	E2055 <sup>1</sup>				MK207 PK175		376009SP	E1285 <sup>1</sup>		MK297 PK137	
12.04→06.08 (+) (-) Quattro	376005SP	E2053 <sup>1</sup>	26665			MK207 PK175		376007SP	E1355 <sup>1</sup>	G1055	MK297 PK137	
12.04→06.08 (+) (-) Quattro	376176SP	E2067 <sup>1</sup>				MK207 PK175		376008SP	E1356 <sup>1</sup>		MK297 PK137	
1.8 TFSi, 2.0 TFSi, 3.0 TFSi, 11.07→12.15 3.2 FSi, 2.0 TDi, 3.0 TDi (+) (-) Quattro	376042SP	E8502 <sup>1</sup>				MK361 PK281		376023SP	E7808 <sup>1</sup>	G2514	MK388 PK279	
1.8 TFSi, 2.0 TFSi, 3.0 TFSi, 11.07→12.15 3.2 FSi, 2.0 TDi, 3.0 TDi (+) (-) Quattro	376178SP	E8503 <sup>1</sup>				MK361 PK281		376214SP			MK388 PK279	

**A4 AVANT QUATTRO**

02.96→99 (+) (-) 2.5 TDi V6 (-)	376091SP	E2022 <sup>1</sup>				MK190 PK088		376238SP	E2036 <sup>1</sup>			
06.96→99 (+)	376237SP	E2024 <sup>1</sup>				MK190 PK088			E2037 <sup>1</sup>			
1.8 20V, 1.8 20V Turbo, 01.99→10.00 2.4 V6 30V, 2.8 V6 30V, 1.9 TDi, (+) (-) S4 (-)	376028SP	E2034 <sup>1</sup>	26654			MK190 PK088		376238SP	E2036 <sup>1</sup>			
2.5 V6 24V TDi 11.97→09.01 (+)												
1.8 20V, 1.8 20V Turbo, 01.99→10.00 2.4 V6 30V, 2.8 V6 30V, 1.9 TDi, 2.5 V6 24V TDi (+) (-) (-) S4		E2043 <sup>1</sup>				MK190 PK088			E2037 <sup>1</sup>			
1.8 20V, 1.8 20V Turbo, 01.99→10.00 2.4 V6 30V, 2.8 V6 30V, 1.9 TDi (+) (-) S4	376005SP	E2053 <sup>1</sup>	26655			MK190 PK088						
2.5 V6 24V TDi 06.96→09.01 (+) (-) S4												

MC... = MK... = PK... =





	OESPECTRUM	REFLEX	ORIGINAL			OESPECTRUM	REFLEX	ORIGINAL		
	RIDESENSE	ADVENTURE				RIDESENSE	ADVENTURE	LEVELING		

11.00 → 11.04 (+) (-) S4, RS4	<b>376005SP</b>	E2053 <sup>1</sup>	26665	MK207 PK175		<b>376061SP</b>	E1283 <sup>1</sup>	23956	MK297 PK101	
11.00 → 11.04 (+) (-) S4, RS4	<b>376071SP</b>	E2054 <sup>1</sup>		MK207 PK175		<b>376031SP</b>	E1284 <sup>1</sup>		MK297 PK101	
12.04 → 08 (+) (-) S4, RS4	<b>376005SP</b>	E2053 <sup>1</sup>	26665	MK207 PK175		<b>376007SP</b>	E1355 <sup>1</sup>	G1055	MK297 PK101	
12.04 → 08 (+) (-) S4, RS4	<b>376176SP</b>	E2067 <sup>1</sup>		MK207 PK175		<b>376008SP</b>	E1356 <sup>1</sup>		MK297 PK101	
10.00 → 06.08 (+)	<b>376006SP</b>	E2055 <sup>1</sup>		MK207 PK175		<b>376009SP</b>	E1285 <sup>1</sup>		MK297 PK101	
1.8 TFSi, 2.0 TFSi, 3.0 TFSi, 11.07 → 3.2 FSi, 2.0 TDi, 3.0 TDi (+)	<b>376042SP</b>	E8502 <sup>1</sup>		MK361 PK281		<b>376023SP</b>	E7808 <sup>1</sup>	G2514	MK388 PK279	
1.8 TFSi, 2.0 TFSi, 3.0 TFSi, 11.07 → 3.2 FSi, 2.0 TDi, 3.0 TDi (+)	<b>376178SP</b>	E8503 <sup>1</sup>		MK361 PK281		<b>376214SP</b>			MK388 PK279	

### A4 CABRIOLET

4.02 → 08	<b>376071SP</b>	E2054 <sup>1</sup>		MK207 PK175		<b>376061SP</b>	E1283 <sup>1</sup>	23956	MK297 PK101	
-----------	-----------------	--------------------	--	----------------	--	-----------------	--------------------	-------	----------------	--

### A5

1.8 TFSi, 2.0 TFSi, 3.0 TFSi, 06.07 → 3.2 FSi, 2.0 TDi, 2.7TDi, 3.0 TDi (+) (+/-) Quattro	<b>376042SP</b>	E8502 <sup>1</sup>		MK361 PK281		<b>376023SP</b>	E7808 <sup>1</sup>	G2514	MK388 PK279	
1.8 TFSi, 2.0 TFSi, 3.0 TFSi, 06.07 → 3.2 FSi, 2.0 TDi, 2.7 TDi, 3.0 TDi (+) (+/-) Quattro S5	<b>376178SP</b>	E8503 <sup>1</sup>		MK361 PK281		<b>376214SP</b>	E7814 <sup>1</sup>		MK388 PK279	

### A6, A6 AVANT 94 → 97

06.94 → 10.97 (-) Quattro (-) S6		E3817 <sup>1</sup>	MR315	MK043 PK038			E2003 <sup>1</sup>	R6335	<sup>I36</sup> MK119 PK094	
Quattro (-) (-) S6 (-)		E3817 <sup>1</sup>	MR315	MK043				26339	<sup>I36</sup> MK119	
Quattro (+) (-) S6 (-)			MR315	MK043				26340	<sup>I36</sup> MK119	
<b>S6</b> (+/-) 4.2 (-) (-)			MR315	MK043				26340	<sup>I36</sup> MK119	

MC... =      MK... =      PK... =



<b>MONROE</b>	OESPECTRUM	REFLEX	ORIGINAL			OESPECTRUM	REFLEX	ORIGINAL		
	RIDESENSE	ADVENTURE				RIDESENSE	ADVENTURE	LEVELING		

**A6, A6 AVANT** **7.97 → 04**

1.8, 1.8 Turbo, 2.4 V6, 2.8 V6, 07.97 → 01.99 1.9 TDi, 2.5 TDi (+) <b>ND</b> → ch.no. 4B#X#070 000 (-) Quattro (-) 2.7 Turbo V6 (-) 8 Cyl. (-)	<b>376028SP</b>	E2034 <sup>1</sup>	<b>26654</b>	MK190 PK088		<b>376081SP</b>	E5087 <sup>1</sup>	<b>45007</b>	<b>136</b> MK187 PK101	
1.8, 1.8 Turbo, 2.4 V6, 2.8 V6, 01.99 → 04.00 1.9 TDi, 2.5 TDi (+) <b>ND</b> ch.no. 4B#X#070 000 → 4B#Y#200 000 (-) Quattro (-) 2.7 Turbo V6 (-) 8 Cyl. (-)	<b>376104SP</b>	E2044 <sup>1</sup>		MK190 PK088		<b>376081SP</b>	E5087 <sup>1</sup>	<b>45007</b>	<b>136</b> MK187 PK101	
2.7 Turbo V6 07.97 → 04.00 (+) <b>ND</b> → ch.no. 4B#Y#200 000 (-) Quattro (-)	<b>376104SP</b>	E2044 <sup>1</sup>		MK190 PK088		<b>376081SP</b>	E5087 <sup>1</sup>	<b>45007</b>	<b>136</b> MK187 PK101	
1.8, 1.8 Turbo, 2.4 V6, 2.7 Turbo V6, 2.8 V6, 1.9 TDi, 2.5 TDi 07.97 → 04.00 (+) <b>SP</b> → ch.no. 4B#Y#200 000 (-) Quattro	<b>376237SP</b>	E2024 <sup>1</sup>		MK190 PK088		<b>376090SP</b>	E5079 <sup>1</sup>		<b>136</b> MK187 PK101	
1.8, 1.8 Turbo, 2.4 V6, 2.7 Turbo V6, 2.8 V6, 1.9 TDi, 2.5 TDi 07.97 → 04.00 (+) <b>HD</b> → ch.no. 4B#Y#200 000 (-) Quattro			<b>26655</b>	MK190 PK088		<b>376026SP</b>	E1234 <sup>1</sup>		<b>136</b> MK187 PK101	
1.8, 1.8 Turbo, 2.0, 2.4 V6, 2.7 Turbo V6, 2.8 V6, 3.0 V6, 1.9 TDi, 2.5 TDi 05.00 → 01.05 (+) <b>ND</b> ch.no. 4B#1#000 001 → (-) Quattro (-) 8 Cyl. (-)	<b>376030SP</b>	E2050 <sup>1</sup>		MK190 PK088		<b>376081SP</b>	E5087 <sup>1</sup>	<b>45007</b>	<b>136</b> MK187 PK101	
1.8, 1.8 Turbo, 2.0, 2.4 V6, 2.7 Turbo V6, 2.8 V6, 3.0 V6, 1.9 TDi, 2.5 TDi 05.00 → 01.05 (+) <b>SP</b> ch.no. 4B#1#000 001 → (-) Quattro (-)	<b>376054SP</b>	E2048 <sup>1</sup>		MK190 PK088		<b>376090SP</b>	E5079 <sup>1</sup>		<b>136</b> MK187 PK101	
1.8, 1.8 Turbo, 2.0, 2.4 V6, 2.7 Turbo V6, 2.8 V6, 3.0 V6, 1.9 TDi, 2.5 TDi 05.00 → 01.05 (+) <b>HD</b> ch.no. 4B#1#000 001 → (-) Quattro (-)	<b>376044SP</b>	E2049 <sup>1</sup>		MK190 PK088		<b>376026SP</b>	E1234 <sup>1</sup>		<b>136</b> MK187 PK101	

**A6 QUATTRO, A6 AVANT QUATTRO** **7.97 → 04**

1.8, 1.8 T, 2.4 V6, 2.8 V6, 1.9 TDi, 2.5 TDi 07.97 → 01.99 (+) <b>ND</b> → ch.no. 4B#X#070 000 (-) 2.7 Turbo V6 (-) 8 Cyl. (-)	<b>376028SP</b>	E2034 <sup>1</sup>	<b>26654</b>	MK190 PK088		<b>376058SP</b>	E2051 <sup>1</sup>		<b>136</b>	
1.8, 1.8 T, 2.4 V6, 2.8 V6, 1.9 TDi, 2.5 TDi 01.99 → 04.00 (+) <b>ND</b> ch.no. 4B#X#070 000 → 4B#Y#200 000 (-) 2.7 Turbo V6 (-) 8 Cyl. (-)	<b>376104SP</b>	E2044 <sup>1</sup>		MK190 PK088		<b>376058SP</b>	E2051 <sup>1</sup>		<b>136</b>	

MC... = MK... = PK... =



	OESPECTRUM	REFLEX	ORIGINAL			OESPECTRUM	REFLEX	ORIGINAL		
	RIDESENSE	ADVENTURE				RIDESENSE	ADVENTURE	LEVELING		

2.7 Turbo V6 (+) → ch.no. 4B#Y#200 000 (-)	07.97→04.00	376104SP	E2044 <sup>1</sup>		MK190 PK088		376058SP	E2051 <sup>1</sup>		I36	
1.8, 1.8 T, 2.4 V6, 2.7 Turbo V6, 2.8 V6, 1.9 TDi, 2.5 TDi (+) → ch.no. 4B#Y#200 000	07.97→04.00	376237SP	E2024 <sup>1</sup>		MK190 PK088		376010SP	E2052 <sup>1</sup>		I36	
1.8, 1.8 T 2.4 V6, 2.7 Turbo V6, 2.8 V6, 1.9 TDi, 2.5 TDi (+) → ch.no. 4B#Y#200 000	07.97→04.00			26655	MK190			∅	∅		
1.8, 1.8 T, 2.0, 2.4 V6, 2.7 Turbo V6, 2.8 V6, 3.0 V6, 1.9 TDi, 2.5 TDi (+) (-) 8 Cyl. (-) (-) ch.no. 4B#1#000 001→4B#1#200 000	05.00→05.01	376030SP	E2050 <sup>1</sup>		MK190 PK088		376010SP	E2052 <sup>1</sup>		I36	
1.8, 1.8 T, 2.0, 2.4 V6, 2.7 Turbo V6, 2.8 V6, 3.0 V6, 1.9 TDi, 2.5 TDi (+) (-) 8 Cyl. (-) ch.no. 4B#2#000 001 →	06.01→01.05	376054SP	E2048 <sup>1</sup>	26663	MK190 PK088		376010SP	E2052 <sup>1</sup>		I36	
1.8, 1.8 T, 2.0, 2.4 V6, 2.7 Turbo V6, 2.8 V6, 3.0 V6, 1.9 TDi, 2.5 TDi (+) (-) ch.no. 4B#1#000 001 →	05.00→01.05	376054SP	E2048 <sup>1</sup>	26663	MK190 PK088		376010SP	E2052 <sup>1</sup>		I36	
1.8, 1.8 T, 2.0, 2.4 V6, 2.7 Turbo V6, 2.8 V6, 3.0 V6, 1.9 TDi, 2.5 TDi (+) ch.no. 4B#1#000 001 → (-)	5.00→01.05	376044SP	E2049 <sup>1</sup>		MK190 PK088			∅	∅	I36	

**A6, A6 AVANT** 7.04→11

2.0 TFSi, 2.4i, 3.0, 3.2 FSi, 4.2 FSi, 2.0 TDi, 2.7 TDi, 3.0 TDi (+) (+/-) Quattro (-)	7.04→ 11	376024SP	E2070 <sup>1</sup>		MK299 PK363		376213SP	E7805 <sup>1</sup>		MK297	
---	----------	----------	--------------------	--	----------------	--	----------	--------------------	--	-------	--

**A6, A6 QUATTRO (C7)**

1.8 TFSi, 2.0 TFSi, 2.8 Fsi, 3.0 TFSi, 4.0 TFSi, 2.0 TFSi Hybrid, 2.0 Tdi, 3.0 Tdi (+) (-) (-)	04.11→05.15	376243SP	E8504 <sup>1</sup>		MK207		376025SP	E7815 <sup>1</sup>			
--	-------------	----------	--------------------	--	-------	--	----------	--------------------	--	--	--

**A7, A7 QUATTRO**

1.8 TFSi, 2.0 TFSi, 2.8 FSi, 3.0 TFSi, 3.0 Tdi (+) (-) (-)	01.11→04.15	376244SP	E8505 <sup>1</sup>		MK207		376025SP	E7815 <sup>1</sup>			
---	-------------	----------	--------------------	--	-------	--	----------	--------------------	--	--	--

MC... =      MK... =      PK... =



	OESPECTRUM	REFLEX	ORIGINAL			OESPECTRUM	REFLEX	ORIGINAL		
	RIDESENSE	ADVENTURE				RIDESENSE	ADVENTURE	LEVELING		

**COUPE**

(-) Quattro	10.80→ 10.88			MR976	MK032 PK047				R3738	PK015	
(+) Quattro	10.84→ 10.88			MR976	MK032 PK047				MG314		
(-) S 2	10.88→ 07.91			MR976	MK032 PK047						
S2	08.90→ 09.92										
S2	08.91→ 96		E3420 <sup>1</sup>	MR257	MC114						
S2	10.92→ 12.96										

**COUPE**

(-) Quattro	80→ 89			R1601							
-------------	--------	--	--	-------	--	--	--	--	--	--	--

**Q2, Q2 QUATTRO**

1.0 TFSi, 1.4 TFSi, 2.0 TFSi, 09.16→ 1.6 TDi, 2.0 TDi (-)					MK411						
---	--	--	--	--	-------	--	--	--	--	--	--

**Q2**

1.0 TFSi, 1.4 TFSi, 09.16→ 1.6 TDi, 2.0 TDi (+)		C2516S					C1522S				
---	--	--------	--	--	--	--	--------	--	--	--	--

**Q2 QUATTRO**

2.0 TFSi, 09.16→ 2.0 TDi (+)		C2516S					C1521S				
------------------------------------	--	--------	--	--	--	--	--------	--	--	--	--

**Q3, Q3 QUATTRO**

1.4 TFSi, 12→ 2.0 TDi (+) (+) (-)		742000SP	E7123 <sup>1</sup>		MK194		376000SP	E7816 <sup>1</sup>		MK203 PK137	
---	--	----------	--------------------	--	-------	--	----------	--------------------	--	----------------	--

**Q5, Q5 QUATTRO**

2.0 TFSi, 3.2 FSi, 11.08→ 2.0 TDi, 3.0 TDi (+) (-) S-Line		376049SP	E8501 <sup>1</sup>		MK361 PK278		376048SP			MK388	
2.0 TFSi, 3.2 FSi, 11.08→ 2.0 TDi, 3.0 TDi (+)					MK361 PK278		376048SP			MK388	

**Q7 QUATTRO**

3.6 FSi, 4.2 FSi, 03.06→ 05.10 3.0 TDi, 4.2 TDi (-) (-)			D0301 (D0301R D0302L)		MK341 PK280			D8071		MK341 PK276	
--	--	--	-----------------------------	--	----------------	--	--	-------	--	----------------	--

MC... =      MK... =      PK... =



	OESPECTRUM	REFLEX	ORIGINAL			OESPECTRUM	REFLEX	ORIGINAL		
	RIDESENSE	ADVENTURE				RIDESENSE	ADVENTURE	LEVELING		

**TT, TT QUATTRO**

1.8 Turbo (-) (-) Quattro	10.98 → 10.06	742043SP	E4950 <sup>1</sup>		MK077		376067SP	E1264 <sup>1</sup>		MK118	
1.8 Turbo (+) (-) Quattro (-)	10.98 → 08.06				MK077					MK118	
1.8 Turbo, (-) (+) Quattro	10.98 → 08.06	742043SP	E4950 <sup>1</sup>		MK077		376055SP	E1261 <sup>1</sup>	G1236	MK118	
3.2 V6 Quattro (-) (+) Quattro	07.03 → 12.06										
1.8 TFSi, 2.0 TFSi, 3.2, 2.0 TDi (+/-) (+/-) Quattro (-)	08.06 → 06.14	742253SP	E7094 <sup>1</sup>		MK194 PK345		376228SP	E7812 <sup>1</sup>			
2.0 TFSi, 2.5 (+) TTS (+) TTRS	05.08 → 06.14				MK411						

**V8**

V8	08.88 → 07.94			MR315				26340	136	
----	---------------	--	--	-------	--	--	--	-------	-----	--

**AUSTIN**

**MINI**

850, 850 Cooper, 850 Cooper "S", 1000, 1100 Special, 1275 GT, 1300	59 → 00			R2045				R1531		
Clubman, Countryman	59 → 75									
1300	92 → 95									

**AUTOBIANCHI**

Bianchina, Giardiniera	57 → 70			R1584				R1550		
A112 <small>ch.no. 47201 →</small>	09.69 → 08.85							R11001		

**Y10**

1000, 1050, 1300, Turbo (=) (4 x 2)	03.85 → 12.92			G16212 	MC210 MK028 PK013				R3420	PK127	
				G16213 							
1000, 1100 (=) (4 x 4)	03.85 → 12.92			G16212 	MC210 MK028 PK013				R3439	PK127	
				G16213 							

MC... =      MK... =      PK... =



<b>MONROE</b>	OESPECTRUM	REFLEX	ORIGINAL			OESPECTRUM	REFLEX	ORIGINAL		
	RIDESENSE	ADVENTURE				RIDESENSE	ADVENTURE	LEVELING		

1000, 1050, 1300, Turbo (=) (4 x 2)	01.93 → 12.96			G16212	MC210 MK028 PK013				23448	
				G16213						
1000, 1100 (=) (4 x 4)	01.93 → 08.95			G16212	MC210 MK028 PK013				23449	
				G16213						

## AVIA COMMERCIALS

### 1000, 2000, 3000 SERIES

1600			V1071					V1045	
2000								V1045	

### 2600

			V1071					V1127	
			V1071						

## BEDFORD

SA, SE, SL, SS	57 → 60									
VAS	62 →		V1029							
SB NJM	72 →									
RLC, RLE, RLG, RLH, RLW	57 → 70		V2047					V2048		
RSC, RSH, RSW	57 → 70		V2047							

### ASTRA

	07.82 → 08.84			MR253	PK004					
	09.84 → 08.91			MR253	PK004		E1043 <sup>1</sup>	R2655		
	09.91 → 12.98		E3404 <sup>1</sup>	MR258	MK039 PK005		E1043 <sup>1</sup>	R2655		
Astra Max	09.85 → 06.90			MR253	PK004			R2661		

### C, CF SERIES

C 4, C 5, C 6	57 → 60									
CF Series 14, 18, 22, 25, 35 cwt	70 → 75			V1029						
CF 97370, CF 97170	08.69 → 04.84									
CF 220, 250, 280	76 → 82			V2049				V2048		
CF 340	76 → 84									
CF 230, 250, 280	05.84 → 12.88			V2049				R1000		
CF 35 cwt (035)	01.83 → 05.84			V2049				V2048		

MC... =	MK... =	PK... =
---------	---------	---------



	OESPECTRUM	REFLEX	ORIGINAL			OESPECTRUM	REFLEX	ORIGINAL		
	RIDESENSE	ADVENTURE				RIDESENSE	ADVENTURE	LEVELING		

CF 18, 22, 25 cwt	05.84 → 12.88			V2049				V1122		
CF 97370, CF 97170	08.69 → 04.84									
CF 35 cwt	05.84 → 12.88							V2048		
CF Electric	01.80 → 12.88			V2049						
CF 97 K 60, CF 97760	08.69 → 04.84			V2049				V2048		

**KB SERIES**

	01.85 → 07.88		D2113					D8004		
--	---------------	--	-------	--	--	--	--	-------	--	--

**MIDI**

	09.84 → 08.92			V1038				V1012		
(=) (4 x 2)										
	09.84 → 08.92							V1012		
(=) (4 x 4)										

**RASCAL**

	90.07 → 86.06			V4001 				V1077		
				V4002 						
	07.86 → 06.90			V4001 						
Super Carry, TMDM3				V4002 						

**BEDFORD → ISUZU**

**BEDFORD SETA → BEDFORD**

**BMW**

**1 SERIES (E81) (E87)**

116i, 118i, 120i, 130i, 116d, 118d, 120d, 123d (+) (-) xDrive	06.04 → 09.12	742040SP 	E7070 <sup>1</sup> (E7070R E7071L)	G8212 	MK136 PK012		376001SP	E2068 <sup>1</sup>	G2232	Upper MK MK380	
		742041SP 		G8213 						Lower MK MK379 PK167	
116i, 118i, 120i, 130i, 116d, 118d, 120d, 123d (+) (-) xDrive	06.04 → 09.12	742069SP 	E7072 <sup>1</sup> (E7072R E7073L)	G8292 	MK136 PK012		376002SP		G2233	Upper MK MK380	
		742070SP 		G8293 						Lower MK MK379 PK167	

**1 SERIES (E82)**

125i, 128i, 120d, 123d (+) (-) xDrive	09.07 → 12.09	742069SP 	E7072 <sup>1</sup> (E7072R E7073L)	G8292 	MK136 PK012		376001SP	E2068 <sup>1</sup>	G2232	Upper MK MK380	
		742070SP 		G8293 						Lower MK MK379 PK167	
125i, 128i, 120d, 123d (+) (-) xDrive 135i (-) xDrive	09.07 → 09.12	742069SP 	E7072 <sup>1</sup> (E7072R E7073L)	G8292 	MK136 PK012		376002SP		G2233	Upper MK MK380	
		742070SP 		G8293 						Lower MK MK379 PK167	

MC... =      MK... =      PK... =



<b>MONROE</b>	OESPECTRUM	REFLEX	ORIGINAL			OESPECTRUM	REFLEX	ORIGINAL		
	RIDESENSE	ADVENTURE				RIDESENSE	ADVENTURE	LEVELING		

**1 SERIES (E88)**

118i, 120i, 125i, 128i, 135i, 120d (+) (-) xDrive	09.07→08.13	<b>742040SP</b> 	E7070 <sup>1</sup> (E7070R E7071L)	<b>G8212</b> 	MK136 PK012		<b>376001SP</b>	E2068 <sup>1</sup>	<b>G2232</b>	Upper MK MK380 Lower MK MK379 PK167	
		<b>742041SP</b> 		<b>G8213</b> 							
118i, 120i, 125i, 128i, 135i, 120d (+) (-) xDrive	09.07→08.13	<b>742069SP</b> 	E7072 <sup>1</sup> (E7072R E7073L)	<b>G8292</b> 	MK136 PK012		<b>376002SP</b>		<b>G2233</b>	Upper MK MK380 Lower MK MK379 PK167	
		<b>742070SP</b> 		<b>G8293</b> 							

**1 SERIES (F20) (F21)**

114i, 116i, 118i, 125i, 114d, 116d, 118d, 120d, 125d (+) (-) (-) M-Technik (-) xDrive	11.10→	<b>742132SP</b>			MK415 PK358		<b>376210SP</b>			MK427 PK379																							
	114i, 116i, 118i, 125i, 114d, 116d, 118d, 120d, 125d (+) (-) (-) M-Technik (-) xDrive											11.10→	<b>742132SP</b>			MK415 PK358		<b>376211SP</b>			MK427 PK379												
												135i (+) (-) (-) M-Technik (-) xDrive											11.10→	<b>742133SP</b>			MK415 PK358		<b>376212SP</b>	E1379 <sup>1</sup>		MK427 PK379	
																							11→										

**2 SERIES (F22) (F23)**

218i, 220i, 228i, 230i, 218d, 220d, 225d (=) (-) (-) Active Tourer (-) M-Technik	10.13→	<b>742132SP</b>			MK415 PK372		<b>376211SP</b>			PK375 PK379												
	218i, 220i, 228i, 230i, 218d, 220d, 225d  (=) (-) (-) Active Tourer (+) M-Technik											10.13→	<b>742132SP</b>			MK415 PK358		<b>376212SP</b>	E1379 <sup>1</sup>		PK375 PK379	
												235i, M240i (=) (-) (-) M-Technik (-) xDrive										

**3 SERIES (E21)**

316 → ch.no. 5135524	75→09.76	<b>742132SP</b>			MR829	PK012		<b>376211SP</b>			PK015	
318 → ch.no. 5165698												
318A → ch.no. 3832954												
320 → ch.no. 5245562												
320A → ch.no. 4244778												
320i → ch.no. 3768101												

MC... =      MK... =      PK... =





	OESPECTRUM	REFLEX	ORIGINAL			OESPECTRUM	REFLEX	ORIGINAL		
	RIDESENSE	ADVENTURE				RIDESENSE	ADVENTURE	LEVELING		

<b>315</b>	03.81 → 03.84									
<b>316</b> ch.no. 5135525 →	08.75 → 09.82									
<b>318</b> ch.no. 5165699 →	08.75 → 08.80			<b>MR829</b>	<b>PK012</b>			<b>R3719</b>	<b>PK015</b>	
<b>318A</b> ch.no. 3832955 →	08.75 → 08.82									
	10.79 → 82.08									
<b>318i</b>										
<b>320</b> ch.no. 5245563 →	08.75 → 08.82									
<b>320A</b> ch.no. 4244779 →				<b>MR829</b>	<b>PK012</b>			<b>R3719</b>	<b>PK015</b>	
<b>320i</b> ch.no. 3768102 →	06.75 → 08.82									
<b>323i</b>	01.78 → 10.83									
<b>3 Series</b> (+)	06.75 → 08.82				<b>PK012</b>			<b>R3719</b>	<b>PK015</b>	

**3 SERIES (E30) ex M-Technik**

<b>316, 318i, 320i, 318is, 324d</b> (-)	09.82 → 03.92		E3004 <sup>1</sup>	<b>MG871</b>	<b>I43</b> MK036 PK012			E1115 <sup>1</sup>	<b>23454</b>	<b>I36</b> MK120	
<b>316, 318i, 318is, 320i, 320is, 323i, 325e, 325i, 324d, 324td</b>	09.82 → 03.02			<b>MG216</b>	<b>I43</b> MK036 PK012			E1115 <sup>1</sup>	<b>23454</b>	<b>I36</b> MK120	
<b>325iX</b> (=) (4 x 4) (-)	03.86 → 12.91							E1115 <sup>1</sup>	<b>23454</b>	<b>I36</b> MK120	

**3 SERIES TOURING (E30) ex M-Technik**

<b>318i</b> (+)	01.88 → 10.94										
<b>320i, 325i, 324td</b> (+/-)	01.88 → 10.94			<b>MG216</b>	<b>I43</b> MK036 PK012				<b>23454</b>	<b>I36</b> MK120	
<b>316i, 318i</b> (-)	03.89 → 09.89		E3004 <sup>1</sup>	<b>MG871</b>	<b>I43</b> MK036 PK012				<b>23454</b>	<b>I36</b> MK120	
<b>316i, 318i</b> (-)	09.89 → 10.94			<b>MG216</b>	<b>I43</b> MK036 PK012				<b>23454</b>	<b>I36</b> MK120	

**3 SERIES (E30) ex M-Technik**

<b>318i, 320i, 325i</b> (-)	12.85 → 10.93			<b>MG216</b>	<b>MK036</b> PK012				<b>23454</b>	<b>MK120</b>	
--------------------------------	---------------	--	--	--------------	-----------------------	--	--	--	--------------	--------------	--

**3 SERIES (E36)**

<b>316i, 318i, 318is, 318tds</b>	12.90 → 98	<b>742032SP</b> 										
<b>320i, 325i, 325td, 325tds</b>	06.92 → 98		E7032 <sup>1</sup> (E7032R E7033L)		<b>MK045</b> PK012			<b>376021SP</b>	E1020 <sup>1</sup>	<b>G1237</b>	<b>MK121</b> PK096	
<b>323i, 328i</b> (+/-) (-) M-Technik	94 → 98	<b>742033SP</b> 										
<b>320i, 325i, 325td</b> (-) M-Technik	12.90 → 06.92	<b>742034SP</b> 	E7036 <sup>1</sup> (E7036R E7037L)		<b>MK045</b> PK012			<b>376021SP</b>	E1020 <sup>1</sup>	<b>G1237</b>	<b>MK121</b> PK096	
		<b>742035SP</b> 										

MC... =      MK... =      PK... =



	MONROE		OESPECTRUM	REFLEX	ORIGINAL	i	C	OESPECTRUM	REFLEX	ORIGINAL	i	C
	RIDESENSE	ADVENTURE	RIDESENSE	ADVENTURE				LEVELING				
316i, 318i, 318is, 318tds	12.90→	98	742030SP H-I	E7034 <sup>1</sup> (E7034R E7035L)		MK045 PK012	H	376018SP	E1114 <sup>1</sup>		MK121 PK096	⊥ ○
320i, 325i, 325td, 325tds	06.92→	98										
323i, 328i (+) M-Technik	94→	98										
320i, 325i, 325td (+) M-Technik	12.90→	06.92	742034SP H-I	E7036 <sup>1</sup> (E7036R E7037L)		MK045 PK012	H	376018SP	E1114 <sup>1</sup>		MK121 PK096	⊥ ○
			742035SP H-I									
M 3 (B30), (B32)	02.93→	99				MK045 PK012	H			G55016	MK121 PK096	⊥ ○

**3 SERIES (E36)**

316i, 318is	10.91→	99	742032SP H-I	E7032 <sup>1</sup> (E7032R E7033L)		MK045 PK012	H	376021SP	E1020 <sup>1</sup>	G1237	MK121 PK096	⊥ ○
320i, 325i	06.92→	99										
323i, 328i (+/-) (-) M-Technik	94→	99	742033SP H-I				H					
320i, 325i (+/-) (-) M-Technik	10.91→	06.92	742034SP H-I	E7036 <sup>1</sup> (E7036R E7037L)		MK045 PK012	H	376021SP	E1020 <sup>1</sup>	G1237	MK121 PK096	⊥ ○
			742035SP H-I									
316i, 318is	10.91→	99	742030SP H-I	E7034 <sup>1</sup> (E7034R E7035L)		MK045 PK012	H	376018SP	E1114 <sup>1</sup>		MK121 PK096	⊥ ○
320i, 325i	06.92→	99										
323i, 328i (+) M-Technik	94→	99										
320i, 325i (+) M-Technik	10.91→	06.92	742034SP H-I	E7036 <sup>1</sup> (E7036R E7037L)		MK045 PK012	H	376018SP	E1114 <sup>1</sup>		MK121 PK096	⊥ ○
			742035SP H-I									
M 3 (B30), (B32)	02.93→	99					H			G55016	PK096	⊥ ○

**3 SERIES COMPACT (E36)**

316i, 318ti, 318tds (+/-) (-) M-Technik	93→	01	742032SP H-I	E7032 <sup>1</sup> (E7032R E7033L)		MK045 PK012	H		E1115 <sup>1</sup>	23454	MK121 PK096	⊥ ○
			742033SP H-I									
323ti (-) M-Technik	08.97→	08.00	742030SP H-I	E7034 <sup>1</sup> (E7034R E7035L)		MK045 PK012	H		E1115 <sup>1</sup>	23454	MK120 PK096	⊥ ○
			742031SP H-I									
316i, 318ti, 318tds (+) M-Technik	93→	01	742030SP H-I	E7034 <sup>1</sup> (E7034R E7035L)		MK045 PK012	H					⊥ ○
			742031SP H-I									

**3 SERIES TOURING (E36)**

316i, 318i, 320i, 323i, 328i, 318tds, 325tds (+/-) (-) M-Technik	94→	99	742032SP H-I	E7032 <sup>1</sup> (E7032R E7033L)		MK045 PK012	H	376022SP	E1127 <sup>1</sup>		MK121 PK096	⊥ ○
			742033SP H-I									

MC... =      MK... =      PK... =



	OESPECTRUM	REFLEX	ORIGINAL			OESPECTRUM	REFLEX	ORIGINAL		
	RIDESENSE	ADVENTURE				RIDESENSE	ADVENTURE	LEVELING		

316i, 318i, 320i, 323i, 328i, 318tds, 325tds (+) M-Technik	94 → 99	742030SP 	E7034 <sup>1</sup> (E7034R E7035L)	MK045 PK012			376056SP	E1128 <sup>1</sup>	MK121 PK096	
		742031SP 								

### 3 SERIES (E36)

318i, 320i, 325i	93 → 99	742032SP 	E7032 <sup>1</sup> (E7032R E7033L)	MK045 PK012			376021SP	E1020 <sup>1</sup>	G1237	MK121 PK096	
323i, 328i (+/-) (-) M-Technik	94 → 99	742033SP 									
318i, 320i, 325i	93 → 99	742030SP 	E7034 <sup>1</sup> (E7034R E7035L)	MK045 PK012			376018SP	E1114 <sup>1</sup>	MK121 PK096		
323i, 328i (+) M-Technik	94 → 99	742031SP 									
M 3 (B30), (B32)	02.93 → 99								G55016	PK096	

### 3 SERIES (E46)

316i (1.6, 1.9), 318i, 320d (+) (-) M-Sport Pack II	03.98 → 09.01	742004SP 	E4910 <sup>1</sup> (E4910R E4911L)	G16772 	MK136 PK012		376004SP	E1225 <sup>1</sup>	23468	MK121 PK096	
		742005SP 		G16773 							
320i, 323i, 325i, 328i (+) (-) M-Sport Pack II	03.98 → 09.01	742006SP 	E4912 <sup>1</sup> (E4912R E4913L)	MK136 PK012			376004SP	E1225 <sup>1</sup>	23468	MK121 PK096	
		742007SP 									
330i, 330d (+) (-) M-Sport Pack II	99 → 04.01	742006SP 	E4912 <sup>1</sup> (E4912R E4913L)	MK136 PK012			376003SP	E1344 <sup>1</sup>	G1235	MK121 PK096	
		742007SP 									
316i, 318i, 318d (+) (-) M-Sport Pack II	09.01 → 02.05	742008SP 	E4914 <sup>1</sup> (E4914R E4915L)	MK136 PK012			376004SP	E1225 <sup>1</sup>	23468	MK121 PK096	
		742009SP 									
320i, 323i, 325i, 320d (+) (-) M-Sport Pack II	09.01 → 02.05	742010SP 	E4916 <sup>1</sup> (E4916R E4917L)	G7513 	MK136 PK012		376004SP	E1225 <sup>1</sup>	23468	MK121 PK096	
		742011SP 		G7514 							
316i (1.6, 1.9), 318i, 318d, 320d (+) (+) (-) M-Sport Pack II	03.98 → 02.05	742008SP 	E4914 <sup>1</sup> (E4914R E4915L)	MK136 PK012			376066SP	E1226 <sup>1</sup>	MK121 PK096		
		742009SP 									
320i, 323i, 325i, 328i 330i, 330d (+) (+) (-) M-Sport Pack II	03.98 → 09.01	742010SP 	E4916 <sup>1</sup> (E4916R E4917L)	G7513 	MK136 PK012		376003SP	E1344 <sup>1</sup>	G1235	MK121 PK096	
	99 → 04.01	742011SP 		G7514 							
320i, 320d, 323i, 325i 330i, 330d (+) (+) (-) M-Sport Pack II	09.01 → 02.05	742012SP 	E4981 <sup>1</sup> (E4981R E4982L)	G8294 	MK136 PK012		376003SP	E1344 <sup>1</sup>	G1235	MK121 PK096	
	04.01 → 02.05	742013SP 		G8295 							
316i, 318i, 320i, 325i, 330i, 318d, 320d, 330d (+) M-Sport Pack II	03.98 → 02.05	742014SP 	E4983 <sup>1</sup> (E4983R E4984L)	MK136 PK012			376077SP	E1343 <sup>1</sup>	G1233	MK121 PK096	
		742015SP 									

MC... =      MK... =      PK... =



<b>MONROE</b>	OESPECTRUM	REFLEX	ORIGINAL			OESPECTRUM	REFLEX	ORIGINAL		
	RIDESENSE	ADVENTURE				RIDESENSE	ADVENTURE	LEVELING		

### 3 SERIES (E46)

316Ci, 318Ci (-) <input type="checkbox"/> SP	99→09.06	742008SP 	E4914 <sup>1</sup> (E4914R E4915L)		MK136 PK012			376066SP	E1226 <sup>1</sup>		MK121 PK096	
		742009SP 										
320Ci, 323Ci, 325Ci, 328Ci  330Ci (-) M-Sport Pack II	99→09.01	742010SP 	E4916 <sup>1</sup> (E4916R E4917L)	G7513 	MK136 PK012			376003SP	E1344 <sup>1</sup>	G1235	MK121 PK096	
	99→04.01	742011SP 										
320Ci, 325Ci  330Ci, 320Cd, 330Cd (-) <input type="checkbox"/> SP (-) M-Sport Pack II	09.01→09.06	742012SP 	E4981 <sup>1</sup> (E4981R E4982L)	G8294 	MK136 PK012			376003SP	E1344 <sup>1</sup>	G1235	MK121 PK096	
	04.01→09.06	742013SP 										
316Ci, 318Ci, 320Ci, 323Ci, 325Ci, 330Ci, 320Cd, 330Cd (+) M-Sport Pack II	99→09.06	742014SP 	E4983 <sup>1</sup> (E4983R E4984L)		MK136 PK012			376077SP	E1343 <sup>1</sup>	G1233	MK121 PK096	
		742015SP 										

### 3 SERIES COMPACT (E46)

316ti, 318ti, 318td (-) <input type="checkbox"/> SP	6.01→02.05	742008SP 	E4914 <sup>1</sup> (E4914R E4915L)		MK136 PK012			376066SP	E1226 <sup>1</sup>		MK121 PK096	
		742009SP 										
316ti, 318ti, 318td (+) <input type="checkbox"/> SP	6.01→02.05	742008SP 	E4914 <sup>1</sup> (E4914R E4915L)		MK136 PK012			376003SP	E1344 <sup>1</sup>	G1235	MK121 PK096	
		742009SP 										
325ti, 320td (+/-) <input type="checkbox"/> SP	6.01→02.05	742012SP 	E4981 <sup>1</sup> (E4981R E4982L)	G8294 	MK136 PK012			376003SP	E1344 <sup>1</sup>	G1235	MK121 PK096	
		742013SP 										

### 3 SERIES TOURING (E46)

316i, 318i, 318d (+) <input type="checkbox"/> ND (-) M-Sport Pack II	99→09.05	742004SP 	E4910 <sup>1</sup> (E4910R E4911L)	G16772 	MK136 PK012			376003SP	E1344 <sup>1</sup>	G1235	MK121 PK096	
		742005SP 										
320d (+) <input type="checkbox"/> ND (-) M-Sport Pack II	99→06.01	742006SP 	E4912 <sup>1</sup> (E4912R E4913L)		MK136 PK012			376003SP	E1344 <sup>1</sup>	G1235	MK121 PK096	
		742007SP 										
316i, 318i, 320i, 325i, 328i, 330i, 318d, 320d, 330d (+) <input type="checkbox"/> SP (+) <input type="checkbox"/> HD (-) M-Sport Pack II	99→09.05	742010SP 	E4916 <sup>1</sup> (E4916R E4917L)	G7513 	MK136 PK012			376077SP	E1343 <sup>1</sup>	G1233	MK121 PK096	
		742011SP 										
316i, 318i, 320i, 325i, 330i, 318d, 320d, 330d (+) M-Sport Pack II	11.00→09.05	742014SP 	E4983 <sup>1</sup> (E4983R E4984L)		MK136 PK012			376077SP	E1343 <sup>1</sup>	G1233	MK121 PK096	
		742015SP 										

MC... =      MK... =      PK... =



	OESPECTRUM	REFLEX	ORIGINAL			OESPECTRUM	REFLEX	ORIGINAL		
	RIDESENSE	ADVENTURE				RIDESENSE	ADVENTURE	LEVELING		

### 3 SERIES (E46)

318Ci, 320Ci, 323Ci, 325Ci, 330Ci, 320Cd, 330Cd (+) (-) M-Sport Pack II	00→03.07	742006SP 	E4912' (E4912R E4913L)		MK136 PK012			376003SP	E1344 <sup>1</sup>	G1235	MK121 PK096	
		742007SP 										
318Ci, 320Ci, 323Ci, 325Ci, 320Cd, 330Cd (+) (+) (-) M-Sport Pack II	00→03.07	742010SP 	E4916' (E4916R E4917L)		MK136 PK012			376003SP	E1344 <sup>1</sup>	G1235	MK121 PK096	
		742011SP 										
330Ci (+) (+) (-) M-Sport Pack II	00→03.07	742010SP 	E4916' (E4916R E4917L)		MK136 PK012			376077SP	E1343 <sup>1</sup>	G1233	MK121 PK096	
		742011SP 										
318Ci, 320Ci, 325Ci, 330Ci, 320Cd, 330Cd (+) M-Sport Pack II	11.00→03.07	742014SP 	E4983' (E4983R E4984L)		MK136 PK012			376077SP	E1343 <sup>1</sup>	G1233	MK121 PK096	
		742015SP 										

### 3 SERIES (E90)

316i, 318i, 320i, 320 Si, 323i, 325i, 328i, 330i, 335i, 318d, 320d, 325d, 330d, 335d (+) (-) xDrive	05→12	742040SP 	E7070' (E7070R E7071L)		MK136 PK012			376001SP	E2068 <sup>1</sup>	G2232	Upper MK MK380 Lower MK MK379 PK167	
		742041SP 										
316i, 318i, 320i, 320 Si, 323i, 325i, 328i, 330i, 335i, 318d, 320d, 325d, 330d, 335d (+) (-) xDrive	05→12	742069SP 	E7072' (E7072R E7073L)		MK136 PK012			376002SP		G2233	Upper MK MK380 Lower MK MK379 PK167	
		742070SP 										

### 3 SERIES (E91)

318i, 320i, 320 Si, 323i, 325i, 328i, 330i, 335i, 318d, 320d, 325d, 330d, 335d (+) (-) xDrive	05→12	742040SP 	E7070' (E7070R E7071L)		MK136 PK012			376001SP	E2068 <sup>1</sup>	G2232	Upper MK MK380 Lower MK MK379 PK167	
		742041SP 										
318i, 320i, 320 Si, 323i, 325i, 328i, 330i, 335i, 318d, 320d, 325d, 330d, 335d (+) (-) xDrive	05→12	742069SP 	E7072' (E7072R E7073L)		MK136 PK012			376002SP		G2233	Upper MK MK380 Lower MK MK379 PK167	
		742070SP 										

### 3 SERIES (E92)

316i, 320i, 323i, 325i, 328i, 330i, 335i, 320d, 325d, 330d, 335d (+) (-) xDrive	07→13	742069SP 	E7072' (E7072R E7073L)		MK136 PK012			376001SP	E2068 <sup>1</sup>	G2232	Upper MK MK380 Lower MK MK379 PK167	
		742070SP 										
316i, 320i, 323i, 325i, 328i, 330i, 335i, 320d, 325d, 330d, 335d (+) (-) xDrive	07→13	742069SP 	E7072' (E7072R E7073L)		MK136 PK012			376002SP		G2233	Upper MK MK380 Lower MK MK379 PK167	
		742070SP 										

### 3 SERIES (E93)

320i, 323i, 325i, 328i, 330i, 335i, 320d, 325d, 330d (+) (-) xDrive	07→13	742040SP 	E7070' (E7070R E7071L)		MK136 PK012			376001SP	E2068 <sup>1</sup>	G2232	Upper MK MK380 Lower MK MK379 PK167	
		742041SP 										
320i, 323i, 325i, 328i, 330i, 335i, 320d, 325d, 330d (+) (-) xDrive	07→13	742069SP 	E7072' (E7072R E7073L)		MK136 PK012			376002SP		G2233	Upper MK MK380 Lower MK MK379 PK167	
		742070SP 										

MC... =      MK... =      PK... =



<b>MONROE</b>	OESPECTRUM	REFLEX	ORIGINAL			OESPECTRUM	REFLEX	ORIGINAL		
	RIDESENSE	ADVENTURE				RIDESENSE	ADVENTURE	LEVELING		

### 3 SERIES (F30)

<b>316i, 320i, 328i, 335i,</b> 10.11→ <b>316d, 318d, 320d, 325d, 330d</b> (=) <input type="checkbox"/> ND (-) (-) M-Technik (-) xDrive	742132SP				MK415 PK372		376210SP			PK379	
<b>316i, 320i, 328i, 335i,</b> 10.11→ <b>316d, 318d, 320d, 325d, 330d</b> (=) <input type="checkbox"/> SP (-) (-) M-Technik (-) xDrive	742133SP				MK415 PK372		376211SP			PK379	

### 3 SERIES TOURING (F31)

<b>316i, 320i, 328i, 335i,</b> 10.11→ <b>316d, 318d, 320d, 325d, 330d</b> (=) <input type="checkbox"/> ND (=) <input type="checkbox"/> SP (-) (-) xDrive (-) M-Technik	742133SP				MK415 PK372		376211SP			PK379	
--	----------	--	--	--	----------------	--	----------	--	--	-------	--

### 3 SERIES GRAN TURISMO (F34)

<b>320i GT, 328i GT, 335i GT,</b> 03.13→ <b>318d GT, 320d GT, 325d GT</b> (=) <input type="checkbox"/> ND (-) (-) xDrive (-) M-Technik	742132SP				MK415 PK372		376211SP			PK379	
<b>320i GT, 328i GT, 335i GT,</b> 03.13→ <b>318d GT, 320d GT, 325d GT</b> (=) <input type="checkbox"/> SP (-) (-) xDrive (-) M-Technik	742132SP				MK415 PK372		376212SP	E1379 <sup>1</sup>		PK379	

### 4 SERIES (F32)

<b>420i, 428i, 435i,</b> 07.13→ <b>420d, 425d, 430d</b> (=) <input type="checkbox"/> ND (-) (-) xDrive (-) M-Technik	742132SP				MK415 PK372		376211SP			PK379	
<b>420i, 428i, 435i,</b> 07.13→ <b>420d, 425d, 430d</b> (=) <input type="checkbox"/> SP (-) (-) xDrive (-) M-Technik	742133SP				MK415 PK372		376212SP	E1379 <sup>1</sup>		PK379	
<b>420i, 428i, 435i,</b> 07.13→ <b>420d, 425d, 430d</b> (=) <input type="checkbox"/> SP (-) (+) xDrive (+) M-Technik					MK415 PK372		376212SP	E1379 <sup>1</sup>		PK379	

### 4 SERIES (F33)

<b>420i, 428i, 435i,</b> 10.13→ <b>420d, 425d</b> (-) (+/-) M-Technik	742132SP				MK415 PK372		376212SP	E1379 <sup>1</sup>		PK379	
--	----------	--	--	--	----------------	--	----------	--------------------	--	-------	--

MC... =     
 MK... =     
 PK... =



	OESPECTRUM	REFLEX	ORIGINAL			OESPECTRUM	REFLEX	ORIGINAL		
	RIDESENSE	ADVENTURE				RIDESENSE	ADVENTURE	LEVELING		

### 4 SERIES GRAN COUPE (F36)

420i, 428i, 435i, 418d, 420d, 430d (=) <input type="checkbox"/> ND (-) (-) M-Technik (-) xDrive	03.14→	742132SP			MK415 PK372		376211SP			PK379	
420i, 428i, 435i, 418d, 420d, 430d (=) SP (-) (+) M-Technik (-) xDrive	03.14→	742133SP			MK415 PK372		376212SP	E1379 <sup>1</sup>		PK379	
420i, 428i, 435i, 418d, 420d, 430d (=) <input type="checkbox"/> ND (-) (-) M-Technik (+) xDrive	03.14→				MK415 PK372		376211SP			PK379	
420i, 428i, 435i, 418d, 420d, 430d (=) <input type="checkbox"/> SP (-) (+) M-Technik (+) xDrive	03.14→				MK415 PK372		376212SP	E1379 <sup>1</sup>		PK379	

### 5 SERIES (E12)

518 ch.no. 4632974 →	76→06.81										
518i	09.77→06.81										
520 ch.no. 4717726 →	76→06.81										
520A ch.no. 4413737 →											
520i ch.no. 4454063 →											
520/6 cyl.	09.77→06.81										
525 ch.no. 4829407 →	08.76→06.81			MG971	PK012					PK019	
525A ch.no. 4516705 →											
528 ch.no. 4757068 →	08.76→ 80										
528A ch.no. 4551949 →											
528i	09.77→06.81										
530i ch.no. 5012011 →	8.76→ 80										
530iA ch.no. 5031675 →											

### 5 SERIES (E28) ex M-Technik

518, 518i, 520i	07.81→ 88										
525e	83→ 88										
525i, 528i	07.81→ 88			MG998	MK036 PK012			26624		PK019	
524d	86→ 88										
524td	83→ 88										

MC... =      MK... =      PK... =



<b>MONROE</b>	OESPECTRUM	REFLEX	ORIGINAL			OESPECTRUM	REFLEX	ORIGINAL		
	RIDESENSE	ADVENTURE				RIDESENSE	ADVENTURE	LEVELING		

**5 SERIES (E34) ex M-Technik**

518i, 520i (-)	88 → 07.95												
525i, 525td, 525tds (+) (-)	09.92 → 95		E3818 <sup>1</sup>	MG318	Orig. no 31321091000 31321091283 31321135416 31321135674 31321135858 31321138836 31321139407 31321139410			E2001 <sup>1</sup>	26635	I36 MK122			
518i, 520i, 525i, 530i, 535i, 524td (-)	88 → 7.90			MG308	31321134565 31321134573 31321135675			E2001 <sup>1</sup>	26635	I36 MK122			
525i, 530i, 535i, 524td, 525tds (-)	07.90 → 09.92		E3805 <sup>1</sup>	MG312	31321092284 31321138667 31321139408 31321139409 31321139411			E2001 <sup>1</sup>	26635	I36 MK122			
540i (-)	09.92 → 95				PK012								

**5 SERIES TOURING (E34)**

518i, 518g, 520i, 525td (-) (-)	11.90 → 01.97		E3818 <sup>1</sup>	MG318	Orig. no 31321138836 31321139407 31321139410				26638	I36 MK122			
525tds (-)	07.91 → 01.97		E3805 <sup>1</sup>	MG312	31321138667				26638	I36 MK122			
525i, 530i, 540i (-)	10.90 → 01.97		E3805 <sup>1</sup>	MG312	31321138667			☉	☉				
520i, 525td (+) (-)	11.90 → 01.97		E3805 <sup>1</sup>	MG312					26638	I36 MK122			

**5 SERIES (E39)**

520i, 523i, 525i, 528i, 530i, 520d, 525d, 525td, 525tds, 530d (=) (-) M-Sport (-) M-Technik (-) (-) (-)	10.97 → 09.03	742026SP 	E4622 <sup>1</sup> (E4622R E4623L)	G8427 	MK136 PK125		376019SP	E2040 <sup>1</sup>		MK123			
		742027SP 		G8428 									
520i, 523i, 525i, 528i, 530i, 520d, 525d, 525td, 525tds, 530d (=) (+) (+) M-Sport (+) M-Technik (+) (-)	09.95 → 09.03	742028SP 	E4624 <sup>1</sup> (E4624R E4625L)		MK136 PK125		376033SP	E2041 <sup>1</sup>		MK123			
		742029SP 											
520i, 523i, 525i, 528i, 530i, 520d, 525d, 525td, 525tds, 530d (=) (-) M-Sport (-) M-Technik (-) (-)	09.95 → 09.03	742026SP 	E4622 <sup>1</sup> (E4622R E4623L)	G8427 	MK163 PK125			☉					
		742027SP 		G8428 									

MC... =      MK... =      PK... =





	OESPECTRUM	REFLEX	ORIGINAL			OESPECTRUM	REFLEX	ORIGINAL		
	RIDESENSE	ADVENTURE				RIDESENSE	ADVENTURE	LEVELING		

<b>520i, 523i, 525i, 528i, 530i, 520d, 525d, 525td, 525tds, 530d</b> (=) (+) M-Sport (+) M-Technik (+)	09.95 → 09.03	742028SP 	E4624' (E4624R E4625L)	MK136 PK125			376019SP	E2040 <sup>1</sup>	MK123	
		742029SP 								
<b>535i, 540i</b> (=) (-) M-Sport (-) M-Technik (-) (-)	09.95 → 09.03	742056SP 	E4626' (E4626R E4627L)	MK136 PK125			376019SP	E2040 <sup>1</sup>	MK123	
		742057SP 								
<b>535i, 540i</b> (=) (+) M-Sport (+) M-Technik (+) (-)	09.95 → 09.03	742065SP 	E4628' (E4628R E4629L)	MK136 PK125			376033SP	E2041 <sup>1</sup>	MK123	
		742066SP 								
<b>535i, 540i</b> (=) (-) M-Sport (-) M-Technik (-) (-)	09.95 → 09.03	742056SP 	E4626' (E4626R E4627L)	MK136 PK125			376019SP	E2040 <sup>1</sup>	MK123	
		742057SP 								
<b>535i, 540i</b> (=) (+) M-Sport (+) M-Technik (+)	09.95 → 09.03	742065SP 	E4628' (E4628R E4629L)	MK136 PK125			376019SP	E2040 <sup>1</sup>	MK123	
		742066SP 								

**5 SERIES TOURING (E39)**

<b>520i, 523i, 525i, 528i, 530i, 520d, 525d, 525tds, 530d</b> (=) (-) M-Sport (-) M-Technik	01.97 → 05.04	742026SP 	E4622' (E4622R E4623L)	G8427 	MK136 PK125		376020SP	E4397 <sup>1</sup>	MK162	
		742027SP 								
<b>520i, 523i, 525i, 528i, 530i, 520d, 525d, 525tds, 530d</b> (=) (+) M-Sport (+) M-Technik	01.97 → 05.04	742028SP 	E4624' (E4624R E4625L)	MK136 PK125			376020SP	E4397 <sup>1</sup>	MK162	
		742029SP 								
<b>540i</b> (=) (-) M-Sport (-) M-Technik	02.97 → 05.04	742056SP 	E4626' (E4626R E4627L)	MK136 PK125			376020SP	E4397 <sup>1</sup>	MK162	
		742057SP 								
<b>540i</b> (=) (+) M-Sport (+) M-Technik	02.97 → 05.04	742065SP 	E4628' (E4628R E4629L)	MK136 PK125			376020SP	E4397 <sup>1</sup>	MK162	
		742066SP 								

MC... =      MK... =      PK... =



<b>MONROE</b>	OESPECTRUM	REFLEX	ORIGINAL			OESPECTRUM	REFLEX	ORIGINAL		
	RIDESENSE	ADVENTURE				RIDESENSE	ADVENTURE	LEVELING		

**5 SERIES (E60)**

520i, 523i, 525i, 530i, 540i, 545i, 550i, 520d, 525d, 530d, 535d (+) <input type="checkbox"/> ND (+/-) Dynamic Drive	06.03→08.10	742016SP 	E4644 <sup>1</sup> (E4644R E4645L)		MK136 PK176		376029SP			MK279 PK166	
	742017SP 										
520i, 523i, 525i, 530i, 540i, 545i, 550i, 520d, 525d, 530d, 535d (+) <input type="checkbox"/> SP (+/-) Dynamic Drive (-) M-sport	06.03→08.10	742020SP 	E4646 <sup>1</sup> (E4646R E4647L)		MK136 PK176		376016SP	E2066 <sup>1</sup>		MK279 PK166	
	742021SP 										

**5 SERIES TOURING (E61)**

523i, 525i, 530i, 540i, 545i, 550i, 520d, 525d, 530d, 535d (+) <input type="checkbox"/> ND (+/-) Dynamic Drive	06.04→12.11	742018SP 	E4648 <sup>1</sup> (E4648R E4649L)		MK136 PK176		376204SP	E4757 <sup>1</sup>		MK279 PK177	
	742019SP 										
523i, 525i, 530i, 540i, 550i, 520d, 525d, 530d, 535d (+) <input type="checkbox"/> SP (-) M-Sport (+/-) Dynamic Drive	06.04→12.11	742022SP 	E4650 <sup>1</sup> (E4650R E4651L)		MK136 PK176		376216SP	E4758 <sup>1</sup>		MK279 PK177	
	742023SP 										

**5 SERIES (F10)**

520i, 523i, 528i, 530i, 535i, 550i, 520d, 525d, 530d, 535d (+) <input type="checkbox"/> ND (+) <input type="checkbox"/> SP (+) M-Technik (-) (-) xDrive	03.10→	376219SP 	E4038 <sup>1</sup> (E4038R E4039L)		MK390 PK374		376014SP	E2082 <sup>1</sup>		MK397 PK377	
	376220SP 										

**5 SERIES TOURING (F11)**

520i, 523i, 528i, 530i, 535i, 550i, 520d, 525d, 530d, 535d (+) <input type="checkbox"/> ND (+) <input type="checkbox"/> SP (+) M-Technik (-) (-) xDrive	09.10→	376219SP 	E4038 <sup>1</sup> (E4038R E4039L)		MK390 PK374		376015SP	E4769 <sup>1</sup>		MK391	
	376220SP 										

**5 SERIES GRAN TURISMO (F07)**

528i, 535i, 550i, 520d, 530d, 535d (+) <input type="checkbox"/> ND (-) <input type="checkbox"/> SP (-) M-Technik (-) (-) xDrive	10.09→				MK390 PK374		376015SP	E4769 <sup>1</sup>		MK391	
528i, 535i, 550i, 520d, 530d, 535d (+) <input type="checkbox"/> ND (-) <input type="checkbox"/> SP (-) M-Technik (-) (+) xDrive	10.09→				MK390 PK374					MK391	

**6 SERIES (E24) ex M-Technik**

628CSi, 630CSi, 633CS, 635CSi	06.78→05.82			MG971	PK012					PK019	
628CSi, 635CSi	06.82→10.89			MG998	MK036 PK012			26624		136 PK019	

MC... =      MK... =      PK... =



	OESPECTRUM	REFLEX	ORIGINAL			OESPECTRUM	REFLEX	ORIGINAL		
	RIDESENSE	ADVENTURE				RIDESENSE	ADVENTURE	LEVELING		

## 6 SERIES GRAN COUPE (F06) (F12) (F13)

640i, 650i, 640d (+) ND (+) SP (+) M-Technik (-) (-) xDrive	03.11→				MK390					
---	--------	--	--	--	-------	--	--	--	--	--

## 7 SERIES (E23)

728, 730, 733i, 728i → ch.no. 3035000	02.77→09.79			MG971	PK012					PK019	
732i, 735i, 728i ch.no. 3035001 →	09.79→09.81			MG971	PK012					PK020	
745i	07.79→08.86			MG971	PK012		∅	∅			
728i, 732i, 735i	10.81→06.86			MG971	PK012						

## 7 SERIES (E32) ex M-Technik

730i, 735i (+/-) SP (-)	07.86→02.88				PK012				26634	<sup>I36</sup> MK124	
730i, 735i, 735iL, 750i, 750iL (+/-) SP (-)	03.88→08.90								26634	<sup>I36</sup> MK124	
730i, 735i, 735iL, 740i, 750i, 750iL (+/-) SP (-)	08.90→12.94			MG313	PK012				26634	<sup>I36</sup> MK124	

## 7 SERIES (E38) ex M-Technik

728i, 730i, 735i, 740i, 730d, 740d, 725tds, (+) ND (-) EAST EUR (-) (-)	01.94→05.02	742206SP 	E4605 <sup>1</sup> (E4605R E4606L)		MK135 PK012				376011SP	E2025 <sup>1</sup>	<sup>I36</sup> MK189	
728iL, 730iL, 735iL, 740iL, 750i (+) ND (-) EAST EUR (-)	01.94→11.01	742067SP 	E4605 <sup>1</sup> (E4605R E4606L)		MK135 PK012			∅	∅			
728i, 730i, 735i, 740i, 728iL, 730iL, 735iL, 740iL, 750iL, 750i, 725tds, 730d, 740d (+) HD (+) EAST EUR (-) SP (-)	01.94→05.02	742059SP 	E4608 <sup>1</sup> (E4608R E4609L)		MK135 PK012				376012SP	E2030 <sup>1</sup>	<sup>I36</sup> MK189	
		742060SP 										

## 7 SERIES (E65)

730i, 735i, 740i, 745i, 730d, 740d, 745d (+) ND (+/-) Dynamic Drive (-) EAST EUR (-) EDC (-)	10.01→08.09								376013SP	E2063 <sup>1</sup>	MK279	
--	-------------	--	--	--	--	--	--	--	----------	--------------------	-------	--

MC... =

MK... =

PK... =



<b>MONROE</b>	OESPECTRUM	REFLEX	ORIGINAL			OESPECTRUM	REFLEX	ORIGINAL		
	RIDESENSE	ADVENTURE				RIDESENSE	ADVENTURE	LEVELING		

**(E3)**

<b>2500</b> ch.no. 2072400 →	08.68 → 04.77									
<b>2500A</b> ch.no. 2453396 →										
<b>2.8L</b> ch.no. 3032935 →										
<b>2.8LA</b> ch.no. 3041378 →										
<b>3.0S</b> ch.no. 3025745 →										
<b>3.0SA</b> ch.no. 2113971 →										
<b>3.0Si</b> ch.no. 3225209 →	77.08 → 68.04			<b>MG971</b>					<b>PK019</b>	
<b>3.0SiA</b> ch.no. 3230470 →	08.68 → 04.77									
<b>3.0L</b> ch.no. 3052297 →	77.08 → 68.04									
<b>3.0LA</b> ch.no. 3090589 →	08.68 → 04.77									
<b>3.3Li</b> ch.no. 3080411 →	77.08 → 68.04									
<b>3.3LA</b> ch.no. 3061615 →	08.68 → 04.77									

**X1 (E84)**

<b>16i, 18i, 20i, 25i, 28i, 1.6d, 1.8d</b> (=) sDrive	10.09 → 06.15		<b>D0038</b> (D0038R D0039L)		<b>MK136</b> <b>PK176</b>			<b>D8080</b>		Upper MK <b>MK380</b> Lower MK <b>MK379</b> <b>PK167</b>	
<b>16d, 18d, 20d, 23d, 25d, 1.6d, 1.8d</b> (=) xDrive	10.09 → 06.15		<b>D0036</b> (D0036R D0037L)		<b>MK136</b> <b>PK176</b>			<b>D8080</b>		Upper MK <b>MK380</b> Lower MK <b>MK379</b> <b>PK167</b>	

**X3 (E83)**

<b>2.0 i, 2.5 i, 2.5 si, 3.0 i, 3.0 si, 20i, 25i, 30i, 2.0 d, 3.0 d, 3.0 sdi, 18d, 20d, 30d, 35d</b> (+) (+)	01.04 → 11.12		<b>D0405</b> (D0405R D0406L)		<b>MK136</b> <b>PK189</b>			<b>D4005</b>		<b>MK206</b> <b>PK172</b>	
--	---------------	--	------------------------------------	--	------------------------------	--	--	--------------	--	------------------------------	--

**X3 (F25)**

<b>18i, 20i, 28i, 35i, 18d, 20d, 30d, 35d, 1.8d, 2.0d</b> (=) xDrive (=) sDrive (-)	09.10 →		<b>D0414</b> (D0414R D0415L)		<b>MK419</b> <b>PK373</b>			<b>D0311</b>		<b>PK376</b>	
--	---------	--	------------------------------------	--	------------------------------	--	--	--------------	--	--------------	--

**X4 (F26)**

<b>20i, 28i, 35i, M40i, 20d, 30d, 35d</b> (+/-) M Performance Kit	04.14 →				<b>MK419</b> <b>PK373</b>					<b>PK376</b>	
--	---------	--	--	--	------------------------------	--	--	--	--	--------------	--

MC... =      MK... =      PK... =



	OESPECTRUM	REFLEX	ORIGINAL			OESPECTRUM	REFLEX	ORIGINAL		
	RIDESENSE	ADVENTURE				RIDESENSE	ADVENTURE	LEVELING		

**X5 (E53)**

3.0i, 4.4i, 4.6i, 4.8i, 3.0d (+) ND (-) (+/-) (-)	07.99 → 10.06		D0407 (D0407R D0408L)		MK273 PK151			D4003		MK274 PK152	
3.0i, 4.4i, 4.6i, 4.8i, 3.0d (+) ND (+) (-)	07.99 → 10.06							D4003		MK274 PK152	

**X5 (E70)**

3.0 Si, 4.8i, xDrive 30i, xDrive 35i, xDrive 40i, xDrive 48i, xDrive 50i, 3.0d, xDrive 30d, xDrive 35d, xDrive 40d (+) ND (+) SP (-) (-)	11.06 → 12.13		D0305		MK392			D0306 (D0306R D0307L)			
3.0 Si, 4.8i, xDrive 30i, xDrive 35i, xDrive 40i, xDrive 48i, xDrive 50i, 3.0d, 3.5d, xDrive 30d, xDrive 35d, xDrive 40d (+) ND (+) SP (+) (-)	11.06 → 12.13		D0305		MK392			D0309 (D0309R D0310L)			

**X6 (E71)**

3.0, 4.4, xDrive 35i, xDrive 40i, xDrive 50i, xDrive 30d, xDrive 35d, xDrive 40d (+) ND (-) (-)	05.08 → 07.14		D0305		MK392			D0306 (D0306R D0307L)			
3.0, 4.4 xDrive 35i, xDrive 40i xDrive 50i, xDrive 30d, xDrive 35d, xDrive, 40d, (+) ND (+) (-)	05.08 → 07.14		D0305		MK392			D0309 (D0309R D0310L)			

**Z1**

2.5	11.88 → 10.91			MG216				E1115 <sup>1</sup>	23454	MK120	
-----	---------------	--	--	-------	--	--	--	--------------------	-------	-------	--

**Z3 (E36/7) Roadster**

1.8, 1.9, 2.0, 2.2, 2.8, 3.0 (+/-) M-Technik	10.95 → 01.03	742038SP  742039SP 	E7038 <sup>1</sup> (E7038R E7039L)		MK045 PK012		376032SP	E1203 <sup>1</sup>		MK121 PK096	
---	---------------	------------------------------	--	--	----------------	--	----------	--------------------	--	----------------	--

**Z4 (E85)**

2.0, 2.2, 2.5, 2.5 Si, 3.0, 3.0 Si (-) SP (-) M-Technik	02.03 → 02.09		G8163  G8164 		MK045 PK012				G1136	MK121	
--	---------------	--	------------------------	--	----------------	--	--	--	-------	-------	--

MC... =      MK... =      PK... =



	OESPECTRUM	REFLEX	ORIGINAL			OESPECTRUM	REFLEX	ORIGINAL		
	RIDESENSE	ADVENTURE				RIDESENSE	ADVENTURE	LEVELING		

**Z4 (E86)**

3.0 Si (-) (-) M-Technik	02.03→01.09			G8163 	MK045 PK012				G1136	MK121	
				G8164 							

**BUICK**

**REGAL**

	88→	96	73305 152						71831		MC116	
	97→	04	71661						71662		MC114	

**CHERY**

**A5 (RC)**

516	06→	10			G8086					G1077		
-----	-----	----	--	--	-------	--	--	--	--	-------	--	--

**FORA, ELARA (RUS)**

A 516, A 520	04.06→	12.12			G8086					G1077		
--------------	--------	-------	--	--	-------	--	--	--	--	-------	--	--

**SPERANZA (ET)**

A 516	06→	10			G8086					G1077		
-------	-----	----	--	--	-------	--	--	--	--	-------	--	--

**TIGGO**

1.6, 1.8, 2.0, 2.4 (=) (4 x 2)	03.05→			D0011 (D0011R D0012L)						D8020		
-----------------------------------	--------	--	--	-----------------------------	--	--	--	--	--	-------	--	--

**CHEVROLET / DAEWOO**

**AVEO**

1.2, 1.3, 1.5, 1.6 T200	05.03→	12.08			R7213 		MC212 MK275		5794ST		MK276 PK078	
1.2, 1.3, 1.5, 1.6, 1.2 Bifuel T250	02.07→	05.14			R7214 							
1.2, 1.4, 1.6, 1.3 D, 1.3 CDTi, 1.2 Bifuel T300	06.11→	12.15			G7468 				G1037			
					G7469 							

**CAPTIVA**

2.4, 3.0, 3.2, 2.0 D, 2.2 D (-)	06.06→			D0409 (D0409R D0410L)						D8079		136 
---------------------------------------	--------	--	--	-----------------------------	--	--	--	--	--	-------	--	---------

**ESPERO/ARANOS**

Espero	92→	9.99			MR253	MK037 PK004				E1003 <sup>1</sup>	R1622	
--------	-----	------	--	--	-------	----------------	--	--	--	--------------------	-------	--

MC... =      MK... =      PK... =



	OESPECTRUM	REFLEX	ORIGINAL			OESPECTRUM	REFLEX	ORIGINAL		
	RIDESENSE	ADVENTURE				RIDESENSE	ADVENTURE	LEVELING		

**KALOS**

1.2, 1.4, 1.5, 1.6 T200, T250	02 → 12		R7213 	MC212 MK275		5794ST			MK276 PK078	
			R7214 							

**KORANDO** (4 x 4)

KJ	12.98 → 05.05		D7704				D7640			
----	---------------	--	-------	--	--	--	-------	--	--	--

**LACETTI**

1.4, 1.6, 1.8, 2.0 TDCi, 1.4 Bifuel, 1.6 Bifuel J200	05.03 → 03.13		G8089 	MC112 PK282					G7288 	MC112 PK283	
			G8090 								

**LACETTI**

1.6, 1.8, 2.0 TDCi, 1.6 Bifuel J200	08.03 → 03.13		G8089 	MC112						
			G8090 							

**LANOS**

1.3, 1.5, 1.6	04.97 →		MR253	PK004			E1003 <sup>1</sup>	R1622		
---------------	---------	--	-------	-------	--	--	--------------------	-------	--	--

**LEGANZA**

1.8, 2.0, 2.0 16V, 2.2 16V	06.97 → 12.02		11787	MC112 MK101					11788 	MC112	
									11789 		

**LUBLIN**

Type I, II, III	93 → 07		V7004					V7005		
-----------------	---------	--	-------	--	--	--	--	-------	--	--

**MATIZ I, MATIZ II**

0.8, 1.0 M 100 (+/-)	4.98 → 4.05		11377 	MC212 MK410 PK054					R1643	PK385	
			11378 								

**MATIZ III**

0.8, 1.0 M 200	05.05 → 06.10		G7097 	MK275					G1084	PK385	
			G7098 								

**NEXIA/CIELO/RACER**

	07.95 → 08.97		MR253	MK037 PK004			E1003 <sup>1</sup>	R1622		
--	---------------	--	-------	----------------	--	--	--------------------	-------	--	--

**NEXIA II**

1.5, 1.6	07.08 →		MR253	MK037 PK004			E1003 <sup>1</sup>	R1622		
----------	---------	--	-------	----------------	--	--	--------------------	-------	--	--





<b>MONROE</b>	OESPECTRUM	REFLEX	ORIGINAL			OESPECTRUM	REFLEX	ORIGINAL		
	RIDESENSE	ADVENTURE				RIDESENSE	ADVENTURE	LEVELING		

**NUBIRA I**

1.6 SE, SX, CDX 2.0 SE, SX, CDX	04.97 → 08.97			11744 	MC112				11290 	MC112	
1.6 SE, SX 2.0 SE, SX	08.97 → 06.99			11745 					11291 		
(+/-)											
1.6 SE, SX, CDX	8.97 → 6.99			11456 	MC112				11290 	MC112	
(+)				11457 					11291 		

**NUBIRA II**

1.6 SE, SX 2.0 SE, SX, CDX	06.99 → 07.03			11744 	MC112				11290 	MC112	
(-)				11745 					11291 		
1.6 SE, SX, CDX 2.0 SE, SX	06.99 → 07.03			11456 	MC112				11290 	MC112	
(+)				11457 					11291 		

**NUBIRA II**

1.4, 1.6, 1.8	07.03 → 12.04			G8089 	MC112 PK282				G7288 	MC112	
				G8090 					G7289 		

**NUBIRA II**

1.6, 1.8	07.03 → 12.04			G8089 	MC112						
				G8090 							

**NUBIRA III**

1.4, 1.5, 1.6, 1.8, 2.0 TCDi J200	01.05 → 12.11			G8089 	MC112 PK282				G7288 	MC112	
				G8090 					G7289 		

**NUBIRA III**

1.5, 1.6, 1.8, 2.0 TDCi, 1.6 BiFuel J200	01.05 → 12.11			G8089 	MC112						
				G8090 							

**ORLANDO**

1.4 Ecotec, 1.8 DVVT, 2.0 Diesel, 2.0 CDTI, 1.8 Bifuel,	02.11 →			G8195 	MK381				G1226		
				G8196 							

**REXTON**

3.2, 2.7 Xdi, 2.9 TD (=) (4 x 4)	9.02 → 2.06		D7009						D8021		
3.2, 2.7 Xdi, 2.9 TD (=) (4 x 4)	3.06 →		D7009								

MC... =      MK... =      PK... =





CHEVROLET

	OESPECTRUM	REFLEX	ORIGINAL			OESPECTRUM	REFLEX	ORIGINAL		
	RIDESENSE	ADVENTURE				RIDESENSE	ADVENTURE	LEVELING		

**SPARK (M200/M250)**

0.8, 1.0	03.05 → 02.10			G7097							
				G7098				G1084			010

**SPARK (M300)**

1.0, 1.2, 1.0 BiFuel, 1.2 BiFuel (-)	03.10 →			G7477							011
				G7478				G1241			011

**TACUMA/REZZO**

1.6, 1.8, 2.0 (+/-)	05.00 → 12.04				PK004			376190SP	E5112 <sup>1</sup>			010
------------------------	---------------	--	--	--	-------	--	--	----------	--------------------	--	--	-----

**TICO**

0.8	2.95 → 12.00			11292								010
				11293	MC212					G21638		010

# CHEVROLET

**CAMARO**

 (+/-) Z-28	70 → 81		5801ST									010
 (+/-) Z-28 & IROC	82 → 92		71728			MC116		5867ST				010
 (+/-) Z-28	93 → 02							5867ST				010

**CAPRICE**

	77 → 96		5801ST									010
 (-) Police car	82 → 96		5801ST					5955ST				010

**COBALT II (69)**

1.5 (-)	01.13 →			G7468								011
				G7469				G1037				011

**CRUZE**

1.4, 1.6, 1.8, 1.7 D, 2.0 D (+)	09 →			G8195								011
(+)				G8196	MK381			G1154	PK361			011
(-) 2.0T OPC/VXR												

MC... =	MK... =	PK... =
---------	---------	---------



	OESPECTRUM	REFLEX	ORIGINAL			OESPECTRUM	REFLEX	ORIGINAL		
	RISESENSE	ADVENTURE				RISESENSE	ADVENTURE	LEVELING		

**MALIBU**

	13→	742166SP 					376064SP					
		742167SP 										

**VENTURE** Van

 (-) AWD (-)	97→ 05	71661					37156					
 (+) (-) AWD	97→ 05	71661										
 (=) AWD	02→ 05	71661										

**CHEVROLET TRUCK**

**BLAZER Full Size (4 × 4)**

<b>Full Size</b> (-) Quad. Susp.	76→ 91								34824			
<b>Full Size</b> (=) Quad. Susp. Inner Front : long shock at lower mounting Outer Front : short shock at lower mounting	81→ 91			34910 2 X	Inner Outer				34824			

**G MODELS Van, Sportvan 1/2 Ton, 3/4 Ton**

<b>G 10 Series, G 20 Series</b> (=)	70			34839					R1000			
<b>G 10 Series, G 20 Series</b> (=) I Beam Suspension	70								R1000			
<b>G 10 Series, G 20 Series</b>	71→ 77			34839					R1000			
<b>G 10 Series, G 20 Series</b>	78→ 95			34839					34910			

**G MODELS Van, Sportvan 1 Ton**

<b>G 30 Series</b> (-) Chopped Van	70→ 77			34839					R1000			
<b>G 30 Series</b> (=) Chopped Van	75→ 95			34839								
<b>G 30 Series</b> (-) Chopped Van	78→ 91			34839					34910			
<b>G 30 Series</b> (+/-) Extended Van (G 39) (-) Chopped Van	92→ 95			34839								

**LUMINA APV Van**

<b>APV</b> (+/-)	89→ 96		71820 <sup>1</sup>		MC116							
---------------------	--------	--	--------------------	--	-------	--	--	--	--	--	--	--

MC... = MK... = PK... =



	OESPECTRUM	REFLEX	ORIGINAL			OESPECTRUM	REFLEX	ORIGINAL		
	RIDESENSE	ADVENTURE				RIDESENSE	ADVENTURE	LEVELING		

**SUBURBAN** (4 x 2) (4 x 4) 1/2 Ton

1500 Series, 2500 Series (-) Z 55 Autoride Suspension (-) ZW7 Premium Smooth Ride Susp. (Nivomat)	06.99 → 06.06		911178MM					911166MM												
1500 Series (=) (4 x 4) (+) ZW7 Premium Smooth Ride Susp. (Nivomat) (-) Z 55 Autoride Suspension	06.99 → 06.06		911178MM																	

**TAHOE** (4 x 2) (4 x 4) 4

(New) (-) Z 55 Autoride Suspension (-) ZW7 Premium Smooth Ride Suspension (Nivomat)	09.99 → 12.06		911178MM					911166MM												
(New) (=) (4 x 2) (-) Z 55 Autoride Suspension (+) ZW7 Premium Smooth Ride Suspension (Nivomat)	09.99 → 12.06		911178MM																	

**CHRYSLER → TALBOT-CHRYSLER-SIMCA**

**CHRYSLER USA**

**300 C**

 (=) (4 x 2) (-) (-) Performance Suspension	04 → 10		72248ST							5797ST										
 (=) (4 x 2) (+) (-) Performance Suspension	04 → 10		72248ST									40212ST								
 (=) (4 x 2) (+) Performance Suspension	04 → 10		72408ST							5629ST										
 (=) (4 x 4) (-)	04 → 10		72254ST							5612ST										
 (=) (4 x 4) (+)	04 → 10		72254ST																	

**300 M**

 (-) Performance Handling Package	99 → 04		71667 							71669										
 (+) Performance Handling Package	99 → 04		71668 																	
										71669										

**CIRRUS**

 4  (JA)	95 → 98		71897							71282										
 4  (JA)	99 → 00		71565							71311										

MC... = MK... = PK... =



<b>MONROE</b>	OESPECTRUM	REFLEX	ORIGINAL			OESPECTRUM	REFLEX	ORIGINAL		
	RIDESENSE	ADVENTURE				RIDESENSE	ADVENTURE	LEVELING		

### CONCORDE

	98→ 04	71667 					71669				
		71668 									

### INTREPID (Canadian Vehicle)

 (-) R/T	98→ 04	71667 					71669				
		71668 									
R/T	99→ 02						71669				

### LE BARON

 (-)	89→ 94						5959ST				
, (-)	89→ 95						5962ST				

### LHS

	98→ 01	71667 					71669				
		71668 									

### NEON

PL	06.94→ 08.99	71959					71960				
P41	09.99→ 09.05	71580					71579ST 				
							71578ST 				

### NEON (Canadian)

	00→ 05	71580					71579ST 				
							71578ST 				

### PT CRUISER

,	06.00→ 12.10	71592					5989ST				
---	--------------	-------	--	--	--	--	--------	--	--	--	--

### SEBRING

FJ 22	95→ 00			R3811							
JX	96→ 98	71897					71282				
JX	99→ 00						71311				
JR JR	01→ 06	71565									
ST	01→ 05	72147ST 									
		72148ST 									

MC... =	MK... =	PK... =
---------	---------	---------



	OESPECTRUM	REFLEX	ORIGINAL			OESPECTRUM	REFLEX	ORIGINAL		
	RIDESENSE	ADVENTURE				RIDESENSE	ADVENTURE	LEVELING		

## STRATUS

	JA	95→ 98	71897					71282				
	JA	99→ 00	71565					71311				
	ST	01→ 05	72147ST									
			72148ST									
	JR	01→ 06	71565					71311				

## TOWN & COUNTRY

		90→ 02.95	72591ST			MK261		37065				
		3.95→ 00	71964			MK262		37123ST				
		96→ 00	71964			MK262						
		01→ 07	71572			MK278		37123ST				
		01→ 05	71572			MK278						
		01→ 07	71572			MK278						
	3.3, 3.6, 3.8, 4.0, 3.6 FlexFuel	06.07→ 14	71128ST					37290ST				
	3.3, 3.6, 3.8, 4.0, 3.6 FlexFuel	06.07→ 14	71128ST					58648ST				

## VOYAGER Van Mini Van

	Voyager I (ES)	84→ 85				MK261		37065				
	Voyager I (ES) (+/-) AWD	86→ 02.95	72591ST			MK261		37065				
	Voyager II (GS) (-) AWD	3.95→ 00	71964			MK262		37123ST				
	Voyager II (GS) (+/-) AWD	97→ 00	71964			MK262						

MC... =      MK... =      PK... =



	OESPECTRUM	REFLEX	ORIGINAL			OESPECTRUM	REFLEX	ORIGINAL		
	RIDESENSE	ADVENTURE				RIDESENSE	ADVENTURE	LEVELING		

**VOYAGER, GRAND VOYAGER**

	00	<b>71964</b>			MK262		<b>37123ST</b>				
	01→ 07	<b>71572</b>			MK278		<b>37123ST</b>				
	01→ 05	<b>71572</b>			MK278						
	01→ 07	<b>71572</b>			MK278						
<b>3.3, 3.6, 3.8, 4.0, 2.8 CRDi</b> 	07.07→ 14	<b>71128ST</b>					<b>37290ST</b>				
<b>3.3, 3.6, 3.8, 4.0, 2.8 CRDi</b> 	08→ 14	<b>71128ST</b>						<b>58648ST</b>			

**CHRYSLER SIMCA → TALBOT-CHRYSLER-SIMCA**

**CITROËN**

**2 CV, AMI, MEHARI, DYANE**

<b>2 CV</b>	48→ 65				<b>R3202</b>						
<b>Ami 6</b>	61→ 05.63										
<b>Ami 6</b>	63→ 69				<b>R3202</b>				<b>R3213</b>		
<b>Ami 8</b>	69→ 78										
<b>Mehari Mehari "Pistes"</b>	69→ 08.74										
<b>Dyane 4, Dyane 6</b>	11.67→ 08.74				<b>R3202</b>				<b>R3203</b>		
<b>2 CV, 2 CV 4, 2 CV 6</b>	65→ 08.74										
<b>3 CV Azam 6</b>	65→ 69										
<b>Mehari (FAF) (=) (4 x 4)</b>	78→ 10.87				<b>23415</b>				<b>23415</b>		
<b>Ami Super</b>	73→ 12.77										
<b>Dyane 4, Dyane 6, Mehari, 2 CV 4, 2 CV 6</b>	09.74→ 10.88				<b>R3202</b>				<b>R3783</b>		

**2 CV, AMI, DYANE, AK**

<b>2 CV Fourgonnette</b>	48→ 65				<b>R3202</b>						
<b>Ami 6 Fourgonnette</b>	63→ 70										
<b>Ami 6</b>	63→ 69				<b>R3202</b>				<b>R3213</b>		
<b>Ami 8</b>	69→ 78										
<b>2 CV Fourgonnette AK 400</b>	65→										
<b>2 CV Fourgonnette AK 250</b>	65→ 08.74				<b>R3202</b>				<b>R3203</b>		
<b>2 CV Fourgonnette AK 250</b>	09.74→ 10.88				<b>R3202</b>				<b>R3783</b>		
<b>AKS 400</b>	07.76→ 12.83				<b>23415</b>				<b>23415</b>		
<b>Acadiane Fourgonnette</b>	78→ 10.88				<b>23415</b>						

MC... = MK... = PK... =

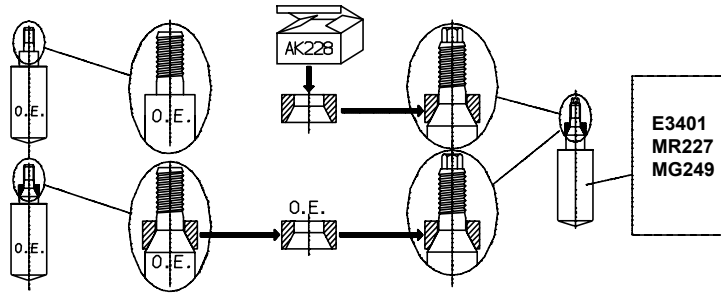


<b>MONROE</b>	OESPECTRUM	REFLEX	ORIGINAL			OESPECTRUM	REFLEX	ORIGINAL		
	RIDESENSE	ADVENTURE				RIDESENSE	ADVENTURE			

**AX** (4 x 2)

86 → 12.98 (-) 14 RE (-) GT/GTi		E3401 <sup>1</sup> AK228 <b>!13</b>	MR227 AK228 <b>!13</b>	MK008 PK039			E5003 <sup>1</sup>	42043		OIO
14 RE (+) 14 RE GTi GT	86 → 12.98		MG249 AK228 <b>!13</b>	MK008 PK039				42051		OIO

**!13**



**BERLINGO Multispace (MF)**

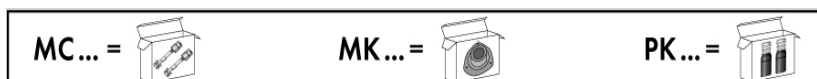
1.1, 1.4, 1.8, 1.8 D, 1.9 D, 2.0 HDi (+) (=) (4 x 2)	07.96 → 10.02		R8001 	MK001 MK097 MK098 <b>!77</b> PK006				43104		OIO
1.1, 1.4, 1.9 D, 1.6 HDi, 2.0 HDi 1.6 (+) (=) (4 x 2)	11.02 → 10.08 07.96 → 10		R8007 	MK001 MK097 MK098 <b>!77</b> PK006				43104		OIO
Electric Engine SA 18	11.02 → 08		R8001 							OIO
			R8002 							OIO

**!77**

MK001 =	MK001 =
MK098 =	MK097 =
TU, XU, XUD → -2.97	TU, XU, XUD → -2.97
HD,	HD,
	ALL ex TU 2.97 →
TU  2.97 →	TU  2.97 →

**BERLINGO (M\_)**

Berlingo (+) (=) (4 x 2) (=)  475/600 kg (=)  765/800 kg (-) Electric Engine SA 18 (-)	05.96 → 11.02		R8001 	MK001 MK097 MK098 <b>!77</b> PK006				43104		OIO
		E7062 <sup>1</sup> (E7062R E7063L)	R8002 							OIO





<b>MONROE</b>	OESPECTRUM	REFLEX	ORIGINAL			OESPECTRUM	REFLEX	ORIGINAL		
	RIDESENSE	ADVENTURE				RIDESENSE	ADVENTURE	LEVELING		

<b>Berlingo</b> (+) (=) (4 x 2) (=)  475/600 kg (=)  765/800 kg (-) Electric Engine sa 18 (-)	11.02→ 08			G8007	MK001 MK097 MK098 I77 PK006			43104		OIO
	G8008									
<b>Electric Engine</b> SA 18	11.02→ 12.11			R8001						OIO
	R8002									

**BERLINGO Multispace**

<b>1.6i, 1.6 HDi</b> (-) (-) extra seat	04.08→			G7323	MK001 MK196 PK124			G1119		OIO
	G7324									
<b>1.6i, 1.6 HDi</b> (-) (+) extra seat	04.08→			G7323	MK001 MK196 PK124			G1118		OIO
	G7324									

**BERLINGO**

<b>1.6i, 1.6 HDi</b> (=)  600 kg (-)	04.08→			G7323	MK001 MK196 PK124			G1117		OIO
	G7324									
<b>1.6i, 1.6 HDi</b> (=)  800 kg, 1000 kg (-)	04.08→			G7323	MK001 MK196 PK124			G1118		OIO
	G7324									

**C1**

<b>1.0, 1.4 Hdi</b>	06.05→ 03.14			G7019	MK351 PK178			G1075	PK333	OIO
	1.0, 1.2			04.14→						

**C2**

<b>1.1, 1.4, 1.6, 1.4 HDi</b> (+)	9.03→ 10.10	742262SP	E4995 <sup>1</sup> (E4995R E4996L)	G16449	MK001 MK184 I75 PK104			376088SP	E1318 <sup>1</sup>	23966	OIO
		742263SP		G16450							
<b>1.1, 1.4, 1.6, 1.4 HDi</b> (+)	09.03→ 10.10			G8017	MK001 MK184 I75 PK104					23985	OIO
				G8018							

**C3 (FC\_)**

<b>1.1, 1.4, 1.6 16V , 1.4 HDi, 1.6 HDi (66 kW, 68 kW)</b>	09.01→ 11.09	742262SP	E4995 <sup>1</sup> (E4995R E4996L)	G16449	MK001 MK184 I75 PK104			376088SP	E1318 <sup>1</sup>	23966	OIO
	<b>1.6 16 V , 1.6 HDi (80kW, 82 kW)</b> (-) (-) (-) Entrepriise (-) Pluriel	06.06→ 11.09		742263SP							

MC... =      MK... =      PK... =

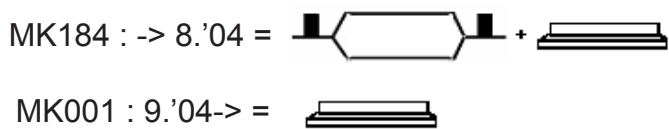




<b>MONROE</b>	OESPECTRUM	REFLEX	ORIGINAL			OESPECTRUM	REFLEX	ORIGINAL		
	RIDESENSE	ADVENTURE				RIDESENSE	ADVENTURE	LEVELING		

1.6 16 V , 1.6 HDi (80kW, 82 kW) (+) (-) (-) Entreprise (-) Pluriel	09.01 → 05.06			G8147	MK001 MK184 <b>I75</b> PK104				E1318 <sup>1</sup>	23966				C/O
				G8148										
Entreprise 1.1, 1.4, 1.6 16V, 1.4 HDi (+/-)	09.01 → 11.09			G8017	MK001 MK184 <b>I75</b> PK104					23985				C/O
				G8018										
Pluriel 1.4, 1.6 16V, 1.4 HDi	09.01 → 11.09													

**I75**



**C3 PICASSO**

1.4, 1.6, 1.6 HDiF, 1.6 HDi, 1.6 e-HDi	02.09 →			G8099	MK001 MK321 <b>I79</b> PK150				E7806 <sup>1</sup>	G2108				C/O
				G8100										

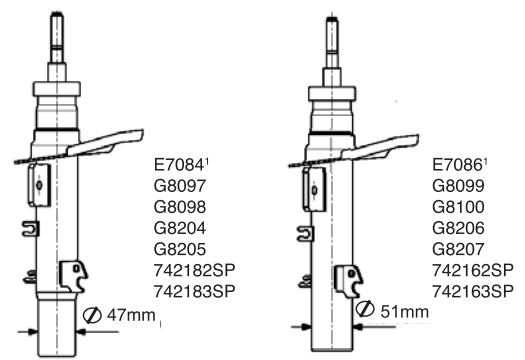
**C3 II**

1.0, 1.1, 1.2, 1.4, 1.6, 1.1 BiFuel, 1.4 BiFuel, 1.4 LPG, 1.4 HDi, 1.6 HDi, 1.4 e-HDi, 1.6 e-HDi, 1.6 Blue HDi,	11.09 → 09.16			G8204	MK001 MK321 <b>I79</b> PK150					G1168				C/O		
				G8205												
				G8206												
				G8207												

**I79**

- MK001, MK202, MK342, MK343, MK344, MK345, MK346, MK347 =
- MK149, MK208, MK263R, MK264L, MK271, MK321, MK322, MK376 =
- MK067, MK068, MK077, MK156, MK194, MK326, MK332, MK334R, MK335L, MK337, MK372 =

**I74**



**C3 AIRCROSS**

1.2 THP, 1.6 HDi	17 →					MK001 MK382								
---------------------	------	--	--	--	--	----------------	--	--	--	--	--	--	--	--





<b>MONROE</b>	OESPECTRUM	REFLEX	ORIGINAL			OESPECTRUM	REFLEX	ORIGINAL		
	RIDESENSE	ADVENTURE				RIDESENSE	ADVENTURE	LEVELING		

**C4**

1.4, 1.6, 1.6 Bioflex, 2.0, 1.6 HDi, 2.0 HDi (-) (-) Entrepise	09.04 → 07.11	742160SP 	E4752 <sup>1</sup> (E4752R E4753L)	G7204 	MC112 MK196 PK124		376085SP	E2056 <sup>1</sup>	25504	MK205 PK131	
		742161SP 		G7205 							
1.4, 1.6 HDi (+) Entrepise	09.04 → 07.11	742160SP 	E4752 <sup>1</sup> (E4752R E4753L)	G7204 	MC112 MK196 PK124		376103SP	E2058 <sup>1</sup>	25505	MK205 PK131	
		742161SP 		G7205 							
1.4, 1.6, 1.6 Bioflex, 2.0, 1.6 HDi, 2.0 HDi (+)	09.04 → 07.11				MK196 PK124		376115SP	E2057 <sup>1</sup>		MK205 PK131	

**C4**

1.4, 1.6, 1.6 Bi-Fuel, 1.6 HDi, 1.6 e-HDi, 1.6 BlueHDi, 2.0 HDi, 2.0 BlueHDi (-) (-)	11.09 →	742186SP 	E7115 <sup>1</sup> (E7115R E7116L)		MK001 MK322 PK124		376155SP	E2081 <sup>1</sup>	G2225	PK131	
		742187SP 									
1.4, 1.6, 1.6 Bi-Fuel, 1.6 HDi, 1.6 e-HDi, 1.6 BlueHDi, 2.0 HDi, 2.0 BlueHDi (+) (-)	11.09 →				MK001 MK322 PK124				G2230	PK131	

**C4 AIRCROSS**

1.6, 2.0, 1.6 HDi, 1.6 e-HDi, 1.8 HDi, 1.8 e-HDi	04.12 →				MK333						
--	---------	--	--	--	-------	--	--	--	--	--	--

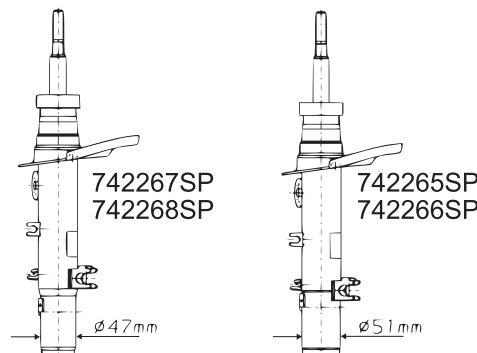
**C4 PICASSO, C4 GRAND PICASSO**

1.6, 1.8, 2.0, 1.6 HDi, 1.6 e-HDi, 2.0 HDi (+) (+/-)	10.06 → 08.13			G7327 	MK001 MK196 PK124		376079SP	E2076 <sup>1</sup>	G2226		
				G7328 							

**C4 CACTUS**

1.2 VTi, 1.2 THP, 1.6 Hdi	03.14 →	742267SP 			Ø 47mm 192 MK001 MK382		376245SP				
		742268SP 									
		742265SP 									
		742266SP 									

192



MC... =	MK... =	PK... =
---------	---------	---------



	OESPECTRUM	REFLEX	ORIGINAL			OESPECTRUM	REFLEX	ORIGINAL		
	RIDESENSE	ADVENTURE				RIDESENSE	ADVENTURE	LEVELING		

**C5 III**

1.6, 1.8, 2.0, 2.0 Bioflex, 1.6 HDi, 1.6 e-HDi, 2.0 HDi, 2.0 BlueHDi, 2.2 HDi (-) Hydractive Suspension	02.08→	376223SP	E2073 <sup>1</sup>	G2216	MK320 PK189		376184SP	E2072 <sup>1</sup>	G2215	PK284	
--	--------	----------	--------------------	-------	----------------	--	----------	--------------------	-------	-------	--

**C5 III**

1.6, 2.0, 2.0 Bioflex, 1.6 HDi, 1.6 e-HDi, 2.0 HDi, 2.0 BlueHDi, 2.2 HDi (-) Hydractive Suspension	2.08→	376223SP	E2073 <sup>1</sup>	G2216	MK320 PK189		376109SP	E2064 <sup>1</sup>	26671		
---	-------	----------	--------------------	-------	----------------	--	----------	--------------------	-------	--	--

**C8**

2.0, 2.2, 3.0, 2.0 HDi, 2.2 HDi	04.02→07.14	742119SP 	E7014 <sup>1</sup> (E7014R E7015L)		MK269R MK270L		376093SP	E2059 <sup>1</sup>			
		742120SP 									

**C15**

(-) Diesel	85→ 5.88			11502	MC112 PK006				R6528	!52	
Diesel	85→ 12.05			11522	MK009 PK006				R6528	!52	
Petrol	05.88→ 12.05										

**C25**

(-)	81→ 12.85				MK046				V2027		
(-)  1800 kg	01.86→ 94			V4407	MK046 PK074				V2027		
(-)  1800 kg	01.86→ 94			V4407	MK046 PK074				V2037		
(=)  1800 kg	01.86→ 94			∅					V2301		

**C32, C35**

2.0, 2.2D, 2.5D	11.73→01.94			V1065							
--------------------	-------------	--	--	-------	--	--	--	--	--	--	--

**C-CROSSER**

2.0, 2.4, 2.2 HDi	06.07→ 12.12	72437ST 			MK333 PK342		37310ST				
		72438ST 									

MC... =      MK... =      PK... =

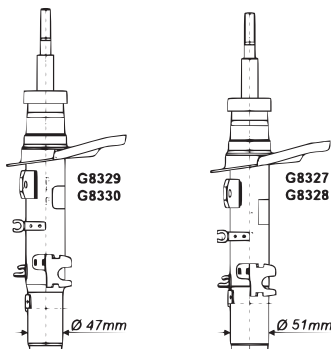


<b>MONROE</b>	OESPECTRUM	REFLEX	ORIGINAL			OESPECTRUM	REFLEX	ORIGINAL		
	RIDESENSE	ADVENTURE				RIDESENSE	ADVENTURE	LEVELING		

**C-ELYSEE**

1.2, 1.6, 1.6 LPG 1.6 HDi, 1.6 BlueHDi	06.12→			G8329	∅ 47 mm					
				G8330	MK382					
				G8327	∅ 51 mm					
				G8328	MK382					

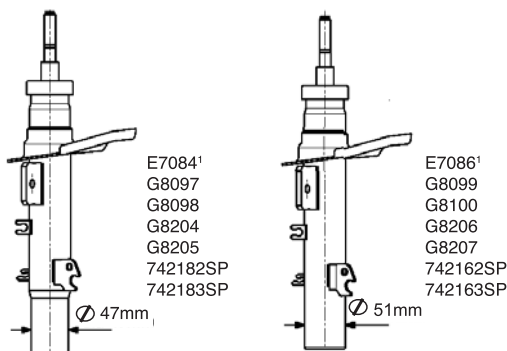
193



**DS3**

1.2, 1.4, 1.6, 1.4 HDi, 1.6 HDi (-) 1.6 88 kW (+) (-) 1.6 150 kW Racing	1.10→			G8204	174 ∅ 47mm					
				G8205	MK001 MK321 179 PK150					
1.6 88 kW OrgN. 12593→ (+)	05.11→			G8206	174 ∅ 51mm					G1170
				G8207	MK001 MK321 179 PK150					
1.6 88 kW → OrgN. 12592 (+)	1.10→ 4.11			G8204	174 ∅ 47mm					
				G8205	MK001 MK321 179 PK150					
				G8206	174 ∅ 51mm					
				G8207	MK001 MK321 179 PK150					

174



179

- MK001, MK202, MK342, MK343, MK344, MK345, MK346, MK347 =
- MK149, MK208, MK263R, MK264L, MK271, MK321, MK322, MK376 =
- MK067, MK068, MK077, MK156, MK194, MK326, MK332, MK334R, MK335L, MK337, MK372 =

MC... =	MK... =	PK... =
---------	---------	---------



<b>MONROE</b>	OESPECTRUM	REFLEX	ORIGINAL			OESPECTRUM	REFLEX	ORIGINAL		
	RIDESENSE	ADVENTURE				RIDESENSE	ADVENTURE	LEVELING		

**DS4**

1.6, 1.6 HDi, 1.6 e-HDi, 2.0 HDi	9.10 → 07.15	742190SP	E7106 <sup>1</sup> (E7106R E7107L)	MK001 MK322 PK124		376158SP		G2230	PK131	
		742191SP								

**DS5**

1.6 THP, 1.6 HDi, 2.0 HDi	12 →				MK001					
------------------------------	------	--	--	--	-------	--	--	--	--	--

**DYNA, PANHARD**

PL 17, 24 CT, 24 BT, 24 BA	58 → 67			R1045						
----------------------------	---------	--	--	-------	--	--	--	--	--	--

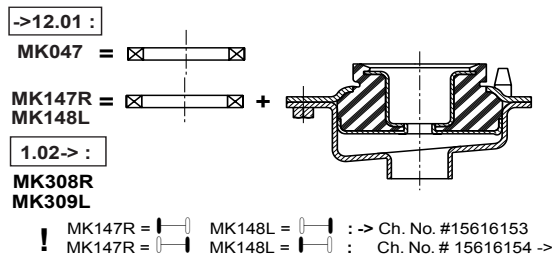
**EVASION, SYNERGIE**

 → OrgN. 7609 (-) HD	94 → 9.97			11679	MC112 MK269R MK270L PK122				42056		
 (+) HD → OrgN. 7609	94 → 9.97			V4201	MC112 MK269R MK270L				V5006		
 OrgN. 7609 → (-) HD	9.97 → 02			11679	MC112 MK269R MK270L PK122				26662		
 (+) HD OrgN. 7609 →	9.97 → 02			V4201	MC112 MK269R MK270L				V2510		

**JUMPER, RELAY 94 → 06 (4 x 2)**

 (=)  1000 kg	94 → 06			V4501	MK047 MK147R MK148L MK308R MK309L <b>I44</b> PK074				V2506		
 (=)  1400 kg	94 → 06			V4501	MK047 MK147R MK148L MK308R MK309L <b>I44</b> PK074				V2507		
 (=)  1800 kg	94 → 06			V4410					V2509		
	94 → 06			V4501	MK047 MK147R MK148L MK308R MK309L <b>I44</b> PK074				V2508		

**I44**



MC... =      MK... =      PK... =

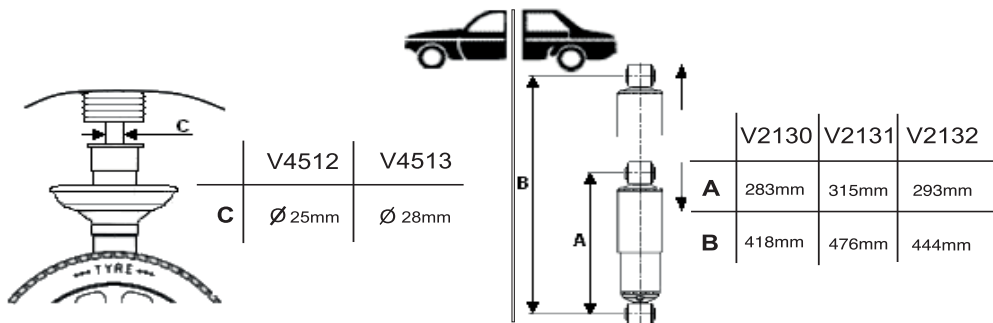


<b>MONROE</b>	OESPECTRUM	REFLEX	ORIGINAL			OESPECTRUM	REFLEX	ORIGINAL		
	RIDESENSE	ADVENTURE				RIDESENSE	ADVENTURE	LEVELING		

**JUMPER, RELAY** **4.06→**

2.2 HDi, 3.0 HDi	4.06→		V4512	169 MK308R MK309L PK285				V2130	169	
			V4513					V2131		
			V2132							

169



**JUMPY, DISPATCH**

1580, 2000 16V, 1867 D, 1905 D, 1905 TD, 2000 JTD (+) → vet.no. 7609	95→ 9.97		V4201	MC112 MK048				V5006		
1580, 2000 16V, 1867 D, 1905 D, 1905 TD, 2000 JTD (+) vet.no. 7609→ 9793	9.97→ 10.03		V4201	MC112 MK048				V2510		
2000, 2000 JTD (+) , (+) vet.no. 9793 →	10.03→ 12.06		V4202 	MC112				V2510		
1867 D (+) , (+) vet.no. 9793→ 10408	10.03→ 5.04		V4203 							
1867 D (+) vet.no. 10408 →	05.04→ 10.06		V4201	MC112 MK048				V2510		
2.0, 1.6 HDi, 2.0 HDi	01.06→ 07.11		G8167 	MK269R MK270L				V2517		
			G8168 							

**LN, LNA**

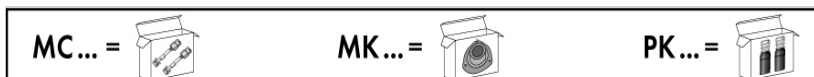
LNA 652 cc, 1124 cc	79→ 86		11502	MC112 PK006						
---------------------	--------	--	-------	----------------	--	--	--	--	--	--

**NEMO**

1.4, 1.3 HDi, 1.3 BlueHDi, 1.4 HDi	11.07→		G8107 	MC212 MK313R MK314L PK140				G1090	PK335	
			G8108 							

**SAXO**

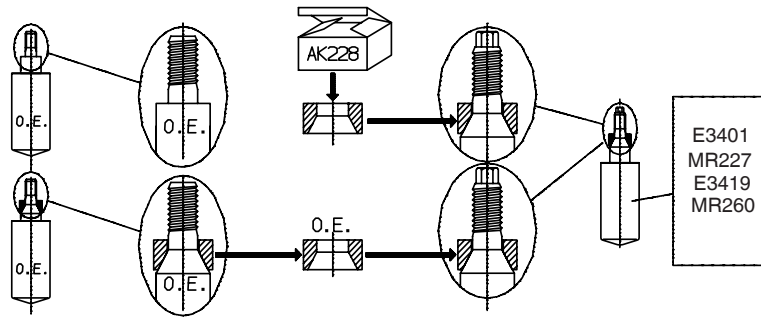
954 cc, 1124 cc	02.96→ 04.04		E3401 <sup>1</sup> AK228 <b>127</b>	MR227 AK228 <b>127</b>	MK010 PK039			E5003 <sup>1</sup>	42043	
1360 cc, 1580 cc, 1.5D, 1.1 BiFuel	02.96→ 04.04		E3419 <sup>1</sup> AK228 <b>127</b>	MR260 AK228 <b>127</b>	MK010 PK039			E5003 <sup>1</sup>	42043	





<b>MONROE</b>	OESPECTRUM	REFLEX	ORIGINAL			OESPECTRUM	REFLEX	ORIGINAL		
	RIDESENSE	ADVENTURE				RIDESENSE	ADVENTURE	LEVELING		

!27



VISA, VISA II

	78→ 91																			
(-) Diesel Chrono	08.78→ 88				11502	MC112 PK006														
GT	08.78→ 86																			
Diesel 17 D, 17 RD	84→ 91				11505	MK009 PK006														
GTi	84→ 91					MK009 PK006														

XSARA

1.4 TU 3 JP	07.97→09.00																			
1.6 TU 5 JP																				
1.8 XU 7 JP																				
1.8 XU 7 JB																				
1.8 16V XU 7 JP 4																				
1.8 D XUD 7																				
1.9 D XUD 9																				
1.9 TD XUD 9 T																				
2.0 HDi (+)																				
(-)																				
<b>Entreprise</b>																				
1.9 VTS TD XUD 9 T	07.97→09.00																			
2.0 16V XU 10 J 4 R																				
99 kw/133 PS																				
2.0 HDi (+)																				
(-) VTS																				
(-)																				
2.0 VTS 16V XU 10 J 4 RS	07.97→09.00																			
120 kw/163 PS																				
(-)																				
	07.97→09.00																			
(+)																				

!35

MK098:

- TU/TUD 3D00RS ->OrgN. 8105
- TU3JP 5D00RS ->OrgN. 8140
- TU5JP 5D00RS ->OrgN. 8189
- TUD5 5D00RS ->OrgN. 8105
- XU7JB, XU7JP 3D00RS ->OrgN. 8105
- XUJP4 3D00RS ->OrgN. 8105
- XUD9 3D00RS ->OrgN. 8105
- XUD9TE, XUD9BSD 3D00RS ->OrgN. 8105
- XU/XUD 5D00RS ->OrgN. 8189
- Diesel DW 3D00RS ->OrgN. 8105
- Diesel DW 5D00RS ->OrgN. 8133

MK097:

- TU/TUD 3D00RS OrgN. 8106->
- TU3JP 5D00RS OrgN. 8141->
- TU5JP 5D00RS OrgN. 8190->
- TUD5 5D00RS OrgN. 8106->
- XU7JB, XU7JP 3D00RS OrgN. 8106->
- XUJP4 3D00RS OrgN. 8106->
- XUD9 3D00RS OrgN. 8106->
- XUD9TE, XUD9BSD 3D00RS OrgN. 8106->
- XU/XUD 5D00RS OrgN. 8190->
- Diesel DW 3D00RS OrgN. 8106->
- Diesel DW 5D00RS OrgN. 8134->

MC... =      MK... =      PK... =



	OESPECTRUM	REFLEX	ORIGINAL			OESPECTRUM	REFLEX	ORIGINAL		
	RIDESENSE	ADVENTURE				RIDESENSE	ADVENTURE	LEVELING		

### XSARA

<b>Entreprise</b>	10.97 → 09.00		E7062 <sup>1</sup> (E7062R E7063L)	R8001 	MK097 MK098 <b>135</b> PK006				42041		
				R8002 							

### XSARA II

<b>1.4</b> (+/-) <b>Entreprise</b> (-) <b>HD</b>	09.00 → 03.05		E7064 <sup>1</sup> (E7064R E7065L)	G8007 	MK097 PK006			E5094 <sup>1</sup>	43116		
				G8008 							
<b>1.6, 2.0, 2.0 VTS</b> <b>1.4 HDi</b> (+/-) <b>Entreprise</b> (-) <b>HD</b>	09.00 → 03.05		E4957 <sup>1</sup> (E4957R E4958L)	G16422 	MK097 PK006				43117		
				G16423 							
<b>1.9 D, 2.0 HDi</b> (+/-) <b>Entreprise</b> (-) <b>HD</b>	09.00 → 03.05		E4957 <sup>1</sup> (E4957R E4958L)	G16422 	MK097 PK006			E5094 <sup>1</sup>	43116		
				G16423 							
 (+) <b>HD</b> (+/-) <b>Entreprise</b>	09.00 → 03.05								42041		

### XSARA II

<b>1.4</b> TU 3 JP (+/-) <b>Entreprise</b> (-) <b>HD</b>	09.00 → 08.05		E7064 <sup>1</sup> (E7064R E7065L)	G8007 	MK097 PK006				43117		
				G8008 							
<b>1.6, 2.0,</b> <b>1.4 HDi, 1.9 D, 2.0 HDi</b> (+/-) <b>Entreprise</b> (-) <b>HD</b>	09.00 → 08.05		E4957 <sup>1</sup> (E4957R E4958L)	G16422 	MK097 PK006				43117		
				G16423 							
 (+) <b>HD</b> (+/-) <b>Entreprise</b>	09.00 → 08.05								42041		

### XSARA PICASSO

<b>1.6, 1.8, 2.0,</b> <b>1.6 HDi, 2.0 HDi</b> (-) <b>HD</b>	09.99 → 12.11		E7064 <sup>1</sup> (E7064R E7065L)	G8007 	MK001 MK097 PK006				43114		
				G8008 							

### ZX ex Diesel

<b>1124 cc, 1360 cc</b> <b>1580 cc, 1761 cc</b> → OrgN. 5683	03.91 → 03.92				MK097 MK098 PK006			E5001 <sup>1</sup>	42058		
<b>1124 cc, 1360 cc</b> OrgN. 5683 → 7390	4.92 → 02.97			11619 	MK097 MK098 <b>138</b> PK006			E5001 <sup>1</sup>	42058		
				11620 							
<b>1124 cc Inj.</b> <b>1360 cc Inj.</b> OrgN. 7391 →	93 → 02.97 92 → 07.97		E7062 <sup>1</sup> (E7062R E7063L)	R8001 	MK097 MK098 <b>138</b> PK006			E5001 <sup>1</sup>	42058		
<b>1580 cc, 1761 cc</b> → OrgN. 5684	04.92 → 02.97			R8002 							

MC... =      MK... =      PK... =





	OESPECTRUM	REFLEX	ORIGINAL			OESPECTRUM	REFLEX	ORIGINAL		
	RIDESENSE	ADVENTURE				RIDESENSE	ADVENTURE	LEVELING		

<b>1905 cc, 1998 cc 8V</b> → OrgN. 5683	03.91→03.92				MK097 MK098 <b>!38</b> PK006				42041		O/O
<b>1905 cc, 1998 cc 8V</b> OrgN. 5684→	04.92→07.97		E7062' (E7062R E7063L)	R8001 	MK097 MK098 <b>!38</b> PK006				42041		O/O
				R8002 							
<b>1998 cc 16V</b>	07.92→10.97		E4957' (E4957R E4958L)	G16422 							O/O
				G16423 							

**ZX Diesel**

<b>1360 cc D</b>	03.91→07.97			11619 	MK097 MK098 <b>!38</b> PK006				E5001'	42058	O/O
<b>1527 cc D, 1769 cc D</b> <b>1905 cc D</b> (-)	03.91→02.97			11620 							
<b>1905 cc D</b> (-) OrgN. 7392→	02.97→07.97			R8001 	MK097 MK098 <b>!38</b> PK006				E5001'	42058	O/O
<b>1527 cc D, 1769 cc D</b> OrgN. 7392→			E7062' (E7062R E7063L)								
<b>1905 cc D</b> (+)	03.91→07.97			R8002 							
<b>1905 cc TD</b> (-) Volcane											
<b>1905 cc TD Volcane</b>	03.91→07.97		E7062' (E7062R E7063L)	R8001 	MK097 MK098 <b>!38</b> PK006				42041		O/O
				R8002 							

**ZX**

<b>1360 cc, 1580 cc, 1761 cc,</b> <b>1527 cc D, 1769 cc D,</b> <b>1905 cc D, 1905 cc TD</b>	94→07.97		E7062' (E7062R E7063L)	R8001 	MK097 MK098 <b>!38</b> PK006				E5001'	42058	O/O
				R8002 							

**!38**

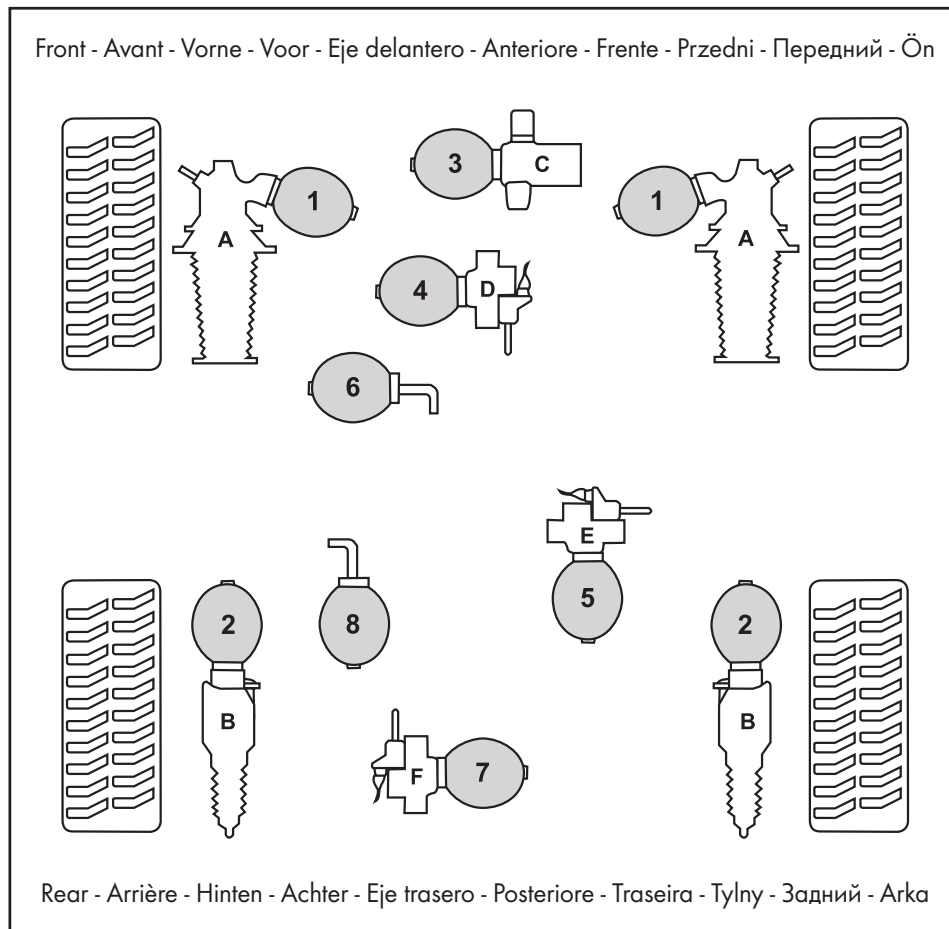
MK098  
ALL :   
ALL : 1360cc D , 1527cc D  
ex : 1998cc 16V

MK097  
ALL :   
ex : 1360cc D , 1527cc D  
ex : 1998cc 16V

MC... =      MK... =      PK... =



## CITROËN HYDRO-PNEUMATIC (-) C5/C6



### NON HYDRACTIVE

1. & 2. Spheres - Sphères - Federkugeln - Veerballen - Esferas - Sfera sospensione - Esferas - Sfery - Сферы - Küreler
3. Main accumulator - Accumulateur Principal - Hauptdruckspeicher - Hoofdvoorraadbol - Acumulador Central - Sfera serbatoio principale - Acumulador principal - Napęd główny - Основной накопитель - Ana akümülatör
- A. & B. Suspension elements - Eléments de suspension - Federelemente - Veerelementen - Elementos de la suspensión - Gruppo sospensione - Elementos da suspensão - Elementy zawieszenia - Элементы подвески - Süspansiyon parçaları
- C. Pressure regulator - Conjoncteur/Disjoncteur - Druckregler - Drukregelaar - Regulador de presión - Regolatore di pressione - Regulador de pressão - Regulator ciśnienia - Регулятор давления - Basınç regülatörü

### HYDRACTIVE

4. & 5. Additional sphere - Sphère regulateur - Druckspeicher Regulator - Voorraadbol regelaar - Esfera Reguladora - Sfera aggiuntiva - Esfera adicional - sfera dodatkowa - дополнительная сфера - İlave küre
- D. & E. Regulator + Electro Valve - Régulateur + Electrovanne - Regler + Elektroventil - Regelaar + Electroventiel - Regulador + Electro válvula - Regolatore di pressione + elettrovalvola - Regulador + Electro-válvula - Regulator + Elektrozawór - Регулятор + Электрoклапан - Regülatör + Elektro valf

### ACTIVA (SC.CAR)

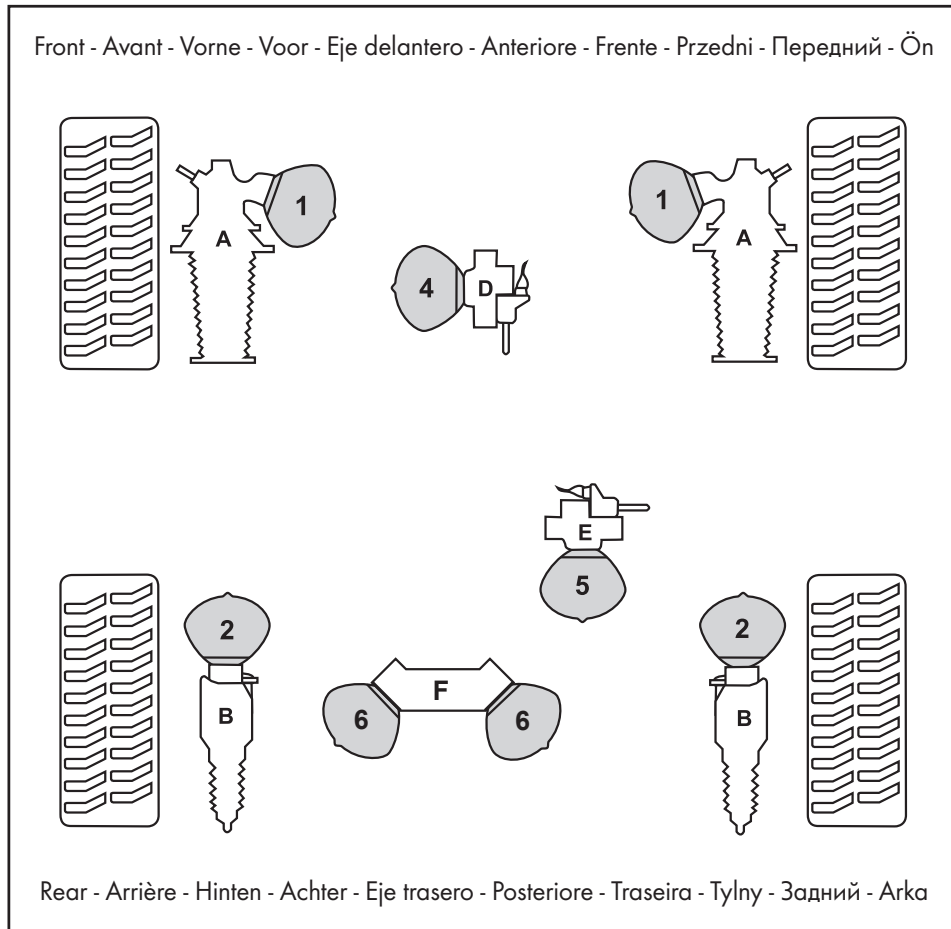
6. & 7. Active roll control system - Sphère anti-dévers actif - Druckspeicher AFS-System - Stabilisatieveerbol - Sistema de control antibalanceo - Sistema controllo attivo rollio - Sistema activo de control do chassi - Aktywny system kontroli przechyłu - Активная система управления креном - Aktif Kayma Kontrol Sistemi
- F. Regulator active roll control system - Régulateur anti-devers actif - Regler AFS-System - Regelaar stabilisatiesysteem - Regulador Antibalanceo - Regolatore sistema controllo attivo rollio - Regulador do sistema activo de control do chassi - Regulador aktywnego systemu kontroli przechyłu - Регулятор активного управления креном - Aktif Kayma Kontrol Sistem Regülatörü

### SC/MAC

8. Anti-sink sphere - Sphère anti-affaissement - Druckspeicher des Druckhaltesystems - Veerbol voor constante hoogte - Acumulador Antiabatimiento - Sfera anti-abbassamento - Esfera anti-afundamento - Sfera regulator wysokości - Анти-понижающая сфера - Seviye çökme-önleyici küre



# CITROËN HYDRO-PNEUMATIC (=) C5/C6



## HYDRACTIVE 3

1. & 2.

Spheres - Sphères - Federkugeln - Veerbollen - Esferas - Sfera sospensione - Esferas - Sfery - Сферы - Küreler

A. & B.

Suspension elements - Eléments de suspension - Federelemente - Veerelementen - Elementos de la suspensión - Gruppo sospensione - Elementos da suspensão - Elementy zawieszenia - Элементы подвески - Süspansiyon parçaları

## HYDRACTIVE 3 +

4. C5/C6 

Additional sphere - Sphère regulateur - Druckspeicher Regulator - Voorraadbol regelaar - Esfera Reguladora - Sfera aggiuntiva - Esfera adicional - sfera dodatkowa - дополнительная сфера - İlave küre

5. C5 

6. C6 

D. C5/C6 

Regulator + Electro Valve - Régulateur + Electrovanne - Regler + Elektroventil - Regelaar + Electroventiel - Regulador + Electro válvula - Regolatore di pressione + elettrovalvola - Regulador + Electro-válvula - Regulator + Elektrozawór - Регулятор + электрклапан - Regulator + Elektro valf

E. C5 

F. C6 



	1	4	6	3	8	2	5	7
	SPHERE	REGULATOR	ANTI-ROLL	MAIN ACCU	ANTI-SINK	SPHERE	REGULATOR	ANTI-ROLL

## CITROËN HYDRO-PNEUMATIC

**BX**

1.1 L, 1.4 L (-) Inj.	9.82 → 2.93	SP8006			SP8011		SP8026		
1.6 L (-) Inj.	9.82 → 8.85	SP8006			SP8011		SP8026		
1.6 L (-) Inj.	9.85 → 2.93	SP8007			SP8011		SP8026		
1.6i	6.92 → 2.93	SP8007			SP8011		SP8026		
1.9 L (-) Inj.	9.82 → 8.85	SP8006			SP8011		SP8026		
1.9 L (-) Inj.	9.85 → 2.93	SP8007			SP8011		SP8026		
1.9i (-) (4 x 4)	9.82 → 8.85	SP8006			SP8011		SP8026		
1.9i (-) (4 x 4)	9.85 → 2.93	SP8007			SP8011		SP8026		
1.9 L GTi (-) (4 x 4)	86 → 6.87	SP8010			SP8011		SP8031		
1.9 L GTi (-) (4 x 4)	6.87 → 2.93	SP8009			SP8011		SP8031		
1.9 L GTi 16 V	87 → 2.93	SP8081			SP8011		SP8028		
1.8 L Diesel	→ 8.85	SP8006			SP8011		SP8026		
1.8 L Diesel	9.85 → 2.93	SP8007			SP8011		SP8026		
1.8 L Turbo Diesel	88 → 2.93	SP8010			SP8011		SP8026		
1.9 L Diesel	84 → 8.85	SP8006			SP8011		SP8026		
1.9 L Diesel	9.85 → 2.93	SP8007			SP8011		SP8026		
(+)	9.82 → 2.93	SP8081			SP8011		SP8028		
(+)	9.82 → 2.93	SP8010			SP8011		SP8032		
(+) Comfort	9.82 → 2.93	SP8049			SP8011		SP8050		

**BX**

1.1 L, 1.4 L (-) Inj.	85 → 2.93	SP8006			SP8011		SP8022		
1.6 L (-) Inj.	85 → 6.87	SP8082			SP8011		SP8022		
1.6 L (-) Inj.	6.87 → 2.93	SP8082			SP8011		SP8080		
1.6i	85 → 6.87	SP8082			SP8011		SP8022		
1.6i	6.87 → 2.93	SP8082			SP8011		SP8080		
1.9 L (-) Inj.	85 → 6.87	SP8082			SP8011		SP8022		
1.9 L (-) Inj.	6.87 → 2.93	SP8082			SP8011		SP8080		
1.9i (-) (4 x 4)	85 → 6.87	SP8082			SP8011		SP8022		
1.9i (-) (4 x 4)	6.87 → 2.93	SP8082			SP8011		SP8080		
1.9 L GTi	→ 6.87	SP8010			SP8011		SP8080		
1.9 L GTi	6.87 → 2.93	SP8009			SP8011		SP8080		
1.9 L GTi 16 V (-) (4 x 4)	87 → 2.93	SP8081			SP8011		SP8080		



	1	4	6	3	8	2	5	7
	SPHERE	REGULATOR	ANTI-ROLL	MAIN ACCU	ANTI-SINK	SPHERE	REGULATOR	ANTI-ROLL

1.8 L Diesel	85→ 2.93	SP8082			SP8011		SP8022	
1.8 L Turbo Diesel	85→ 2.93	SP8009			SP8011		SP8029	
1.9 L Diesel	85→ 2.93	SP8082			SP8011		SP8022	
(+)	85→ 2.93	SP8081			SP8011		SP8028	
(+) Comfort	85→ 2.93	SP8094			SP8011		SP8095	

### C5 I Hydractive 3 (-) Plus

1.8i 16 V	3.01→ 8.04	SP8114		PK390			SP8103	
2.0i 16 V, 2.0 Hpi	3.01→ 8.04	SP8114		PK390			SP8103	
1.6 HDi	3.01→ 8.04	SP8114		PK390			SP8103	
2.0 HDi	3.01→ 8.04	SP8129		PK390			SP8103	
(+) Comfort	3.01→ 8.04	SP8120		PK390			SP8122	

### C5 I Hydractive 3 Plus

2.0i 16 V, 2.0 Hpi	3.01→ 8.04	SP8128	SP8117	PK390			SP8100	SP8126
2.0i 16 V, 2.0 Hpi (+) Comfort	3.01→ 8.04	SP8118	SP8117	PK390			SP8121	SP8126
3.0i V 6	3.01→ 8.04	SP8111	SP8116	PK390			SP8100	SP8110
3.0i V 6 (+) Comfort	3.01→ 8.04	SP8118	SP8117	PK390			SP8121	SP8110
2.0 HDi	3.01→ 8.04	SP8115	SP8117	PK390			SP8100	SP8110
2.0 HDi (+) Comfort	3.01→ 8.04	SP8119	SP8117	PK390			SP8121	SP8110
2.2 HDi	3.01→ 8.04	SP8111	SP8117	PK390			SP8100	SP8126
2.2 HDi (+) Comfort	3.01→ 8.04	SP8118	SP8117	PK390			SP8121	SP8126

### C5 I Hydractive 3 (-) Plus

1.8i 16 V	3.01→ 8.04	SP8114		PK390			SP8107	
2.0i 16 V	3.01→ 8.04	SP8114		PK390			SP8107	
2.0 Hpi	3.01→ 8.04	SP8114		PK390				
1.6 HDi	3.01→ 8.04	SP8114		PK390			SP8107	
2.0 HDi	3.01→ 8.04	SP8129		PK390			SP8107	
(+) Comfort	3.01→ 8.04	SP8120		PK390			SP8124	

### C5 II Hydractive 3 (-) Plus

1.8i 16 V	9.04→ 2.08	SP8114		PK390			SP8102	
2.0i 16 V 136 HP	9.04→ 2.08	SP8113		PK390			SP8102	
1.6 HDi	9.04→ 2.08	SP8112		PK390			SP8102	
2.0 HDi	9.04→ 10.05	SP8113		PK390			SP8104	
2.0 HDi	11.05→ 2.08	SP8113		PK390			SP8125	
(+) Comfort	9.04→ 2.08	SP8120		PK390			SP8122	



	1	4	6	3	8	2	5	7
	SPHERE	REGULATOR	ANTI-ROLL	MAIN ACCU	ANTI-SINK	SPHERE	REGULATOR	ANTI-ROLL

**C 5 II Hydractive 3 Plus**

2.0i 16 V	9.04→ 2.08	SP8111	SP8117	PK390			SP8101	SP8110	
2.0i 16 V (+) Comfort	9.04→ 2.08	SP8118	SP8117	PK390			SP8121	SP8110	
3.0i V 6	9.04→ 2.08	SP8111	SP8116	PK390			SP8101	SP8110	
3.0i V 6 (+) Comfort	9.04→ 2.08	SP8118	SP8116	PK390			SP8121	SP8110	
2.2 HDi	9.04→ 10.05	SP8111	SP8117	PK390			SP8100	SP8109	
2.2 HDi	11.05→ 2.08	SP8111	SP8117	PK390			SP8125	SP8127	
2.2 HDi FAP	9.04→ 2.08	SP8111	SP8116	PK390			SP8125	SP8110	
2.2 HDi (+) Comfort	9.04→ 2.08	SP8118	SP8117	PK390			SP8121	SP8127	

**C 5 II Hydractive 3 (-) Plus**

1.8i 16 V, 2.0i 16 V	9.04→ 2.08	SP8114		PK390			SP8107		
1.6 HDi	9.04→ 2.08	SP8112		PK390			SP8107		
2.0 HDi	9.04→ 2.08	SP8113		PK390			SP8107		
(+) Comfort	9.04→ 2.08	SP8120		PK390			SP8124		

**C 5 II Hydractive 3 Plus**

2.0i 16 V	9.04→ 2.08	SP8111	SP8117	PK390			SP8108	SP8110	
2.0i 16 V (+) Comfort	9.04→ 2.08	SP8118	SP8117	PK390			SP8123	SP8110	
3.0i V 6	9.04→ 2.08	SP8111	SP8116	PK390			SP8108	SP8110	
3.0i V 6 (+) Comfort	9.04→ 2.08	SP8118	SP8116	PK390			SP8123	SP8110	
2.2 HDi	9.04→ 2.08	SP8111	SP8117	PK390			SP8108	SP8110	
2.2 HDi FAP	9.04→ 2.08	SP8111	SP8116	PK390			SP8108	SP8110	
2.2 HDi (+) Comfort	9.04→ 2.08	SP8118	SP8117	PK390			SP8123	SP8110	

**C5 (X 7) Hydractive 3 Plus**

1.6 16 V, 2.0 16 V, 3.0i V 6	2.08→	SP8137	SP8140				SP8139	SP8109	
2.0 HDi, 2.7 HDi	2.08→	SP8137	SP8140				SP8139	SP8109	
2.2 HDi	2.08→	SP8138	SP8145				SP8139	SP8109	
3.0 V 6 HDi	4.09→	SP8137	SP8140				SP8139	SP8109	

**C5 (X 7) Hydractive 3 Plus**

1.6 16 V, 2.0 16 V, 3.0i V 6	2.08→	SP8137	SP8140				SP8146	SP8141	
2.0 HDi, 2.7 HDi	2.08→	SP8137	SP8140				SP8146	SP8141	
2.2 HDi	2.08→	SP8138	SP8145				SP8146	SP8141	
3.0 V 6 HDi	4.09→	SP8137	SP8140				SP8146	SP8141	

**C6 Hydractive 3 Plus**

2.2 HDi	9.05→	SP8134	SP8135				SP8131	SP8130	
2.7 HDi	9.05→	SP8133	SP8136				SP8132	SP8132	
3.0i V 6	9.05→	SP8133	SP8136				SP8132	SP8132	
3.0 HDi V 6	9.05→	SP8133	SP8136				SP8132	SP8132	



	1	4	6	3	8	2	5	7
	SPHERE	REGULATOR	ANTI-ROLL	MAIN ACCU	ANTI-SINK	SPHERE	REGULATOR	ANTI-ROLL

**CX**

<b>CX</b>	74→ 89	<b>SP8002</b>			<b>SP8011</b>		<b>SP8022</b>		
<b>GTi</b> (+/-) Turbo	74→ 89	<b>SP8004</b>			<b>SP8011</b>		<b>SP8022</b>		
 (+) Comfort	74→ 89	<b>SP8043</b>			<b>SP8011</b>		<b>SP8044</b>		

**CX**

<b>CX</b>	75→ 91	<b>SP8002</b>			<b>SP8011</b>		<b>SP8023</b>		
 (+) Comfort	75→ 91	<b>SP8043</b>			<b>SP8011</b>		<b>SP8044</b>		

**DS**

<b>DS</b>	55→ 75	<b>SP8018</b>			<b>SP8011</b>		<b>SP8015</b>		
-----------	--------	---------------	--	--	---------------	--	---------------	--	--

**DS, DS SAFARI**

<b>DS</b>	59→ 75	<b>SP8018</b>			<b>SP8011</b>		<b>SP8037</b>		
-----------	--------	---------------	--	--	---------------	--	---------------	--	--

**GS, GSA**

<b>GS, GSA</b>	70→ 86	<b>SP8005</b>			<b>SP8011</b>		<b>SP8024</b>		
----------------	--------	---------------	--	--	---------------	--	---------------	--	--

**GS, GSA**

<b>GS, GSA</b>	70→ 86	<b>SP8005</b>			<b>SP8011</b>		<b>SP8025</b>		
----------------	--------	---------------	--	--	---------------	--	---------------	--	--

**ID**

<b>ID</b>	55→ 75	<b>SP8019</b>			<b>SP8011</b>		<b>SP8036</b>		
-----------	--------	---------------	--	--	---------------	--	---------------	--	--

**ID, ID SAFARI**

<b>ID</b>	59→ 75	<b>SP8019</b>			<b>SP8011</b>		<b>SP8037</b>		
-----------	--------	---------------	--	--	---------------	--	---------------	--	--

**SM**

<b>2.7 L V 6</b> (-) Inj.	70→ 72	<b>SP8038</b>			<b>SP8011</b>		<b>SP8030</b>		
<b>2.7 L V 6</b> (+) Inj.	72→ 75	<b>SP8038</b>			<b>SP8011</b>		<b>SP8030</b>		
<b>3.0 L V 6</b>	73→ 75	<b>SP8038</b>			<b>SP8011</b>		<b>SP8030</b>		

**XANTIA** (-) Hydractive Suspension

<b>1.6i, 1.8i</b>	7.93→ 5.95	<b>SP8057</b>			<b>SP8011</b>	<b>SP8083</b>	<b>SP8059</b>		
<b>1.6i, 1.8i, 2.0i</b>	6.95→ 01	<b>SP8058</b>			<b>SP8011</b>	<b>SP8083</b>	<b>SP8085</b>		
<b>1.8i 16 V</b>	95→ 01	<b>SP8058</b>			<b>SP8011</b>	<b>SP8083</b>	<b>SP8085</b>		
<b>2.0i</b>	7.93→ 5.95	<b>SP8058</b>			<b>SP8011</b>	<b>SP8083</b>	<b>SP8060</b>		
<b>2.0i 16 V</b>	93→ 01	<b>SP8058</b>			<b>SP8011</b>	<b>SP8083</b>	<b>SP8085</b>		
<b>1.9 L Diesel</b>	7.93→ 5.95	<b>SP8057</b>			<b>SP8011</b>	<b>SP8083</b>	<b>SP8059</b>		
<b>1.9 L Diesel</b>	6.95→ 01	<b>SP8058</b>			<b>SP8011</b>	<b>SP8083</b>	<b>SP8085</b>		
<b>1.9 SD Turbo Diesel</b> 75 PS	6.96→ 01	<b>SP8058</b>			<b>SP8011</b>	<b>SP8083</b>	<b>SP8085</b>		



	1	4	6	3	8	2	5	7
	SPHERE	REGULATOR	ANTI-ROLL	MAIN ACCU	ANTI-SINK	SPHERE	REGULATOR	ANTI-ROLL

1.9 L Turbo Diesel 90 PS	7.93→ 5.95	SP8057			SP8011	SP8083	SP8060		
1.9 L Turbo Diesel 90 PS	6.95→ 01	SP8058			SP8011	SP8083	SP8085		
2.1 L Turbo Diesel	97→ 01	SP8058			SP8011	SP8083	SP8085		
2.0 L HDi Turbo Diesel	98→ 01	SP8058			SP8011	SP8083	SP8085		
 (+) Comfort	7.93→ 01	SP8089			SP8011	SP8083	SP8090		

**XANTIA (+) Hydractive Suspension**

2.0i, 2.0i 16 V	7.93→ 10.93	SP8052	SP8013		SP8011	SP8083	SP8054	SP8033	
2.0i, 2.0i 16 V	11.93→ 5.95	SP8066	SP8013		SP8011	SP8083	SP8054	SP8033	
2.0i, 2.0i 16 V	6.95→ 01	SP8068	SP8069		SP8011	SP8083	SP8065	SP8033	
2.0i Turbo C.T. (Constant Torque)	96→ 01	SP8068	SP8069		SP8011	SP8083	SP8065	SP8033	
3.0 V 6 24 V	96→ 01	SP8068	SP8069		SP8011	SP8083	SP8065	SP8033	
1.9 L Turbo Diesel	7.93→ 5.95	SP8052	SP8013		SP8011	SP8083	SP8054	SP8033	
1.9 L Turbo Diesel	6.95→ 01	SP8068	SP8069		SP8011	SP8083	SP8065	SP8033	
2.1 L Turbo Diesel	97→ 01	SP8068	SP8069		SP8011	SP8083	SP8065	SP8033	
2.0 L HDi Turbo Diesel	98→ 01	SP8068	SP8069		SP8011	SP8083	SP8065	SP8033	
 (+) Comfort	7.93→ 01	SP8091	SP8069		SP8011	SP8083	SP8092	SP8033	

**XANTIA (+) ACTIVA Anti-roll system**

2.0i 16 V	→ 5.95	SP8067	SP8069	SP8071	SP8011	SP8083	SP8084	SP8070	SP8072
2.0i 16 V	6.95→ 01	SP8067	SP8001	SP8071	SP8011	SP8083	SP8063	SP8070	SP8072
2.0i Turbo C.T. (Constant Torque)	95→ 01	SP8067	SP8001	SP8071	SP8011	SP8083	SP8063	SP8070	SP8072
3.0 L V 6 24 V	95→ 01	SP8000	SP8001	SP8071	SP8011	SP8083	SP8084	SP8070	SP8072
2.1 L Turbo Diesel	96→ 01	SP8067	SP8001	SP8071	SP8011	SP8083	SP8063	SP8070	SP8072
2.0 L HDi Turbo Diesel Common Rail	96→ 01	SP8067	SP8001	SP8071	SP8011	SP8083	SP8063	SP8070	SP8072

**XANTIA (-) Hydractive Suspension**

1.8i, 1.8i 16 V, 2.0i, 2.0i 16V	95→ 01	SP8058			SP8011	SP8083	SP8088		
1.9 SD Turbo Diesel 75 PS	95→ 01	SP8058			SP8011	SP8083	SP8088		
1.9 L Turbo Diesel 90 PS	95→ 01	SP8058			SP8011	SP8083	SP8088		
2.1 L Turbo Diesel	95→ 01	SP8058			SP8011	SP8083	SP8088		
2.0 L HDi Turbo Diesel Common Rail	95→ 01	SP8058			SP8011	SP8083	SP8088		
 (+) Comfort	95→ 01	SP8089			SP8011	SP8083	SP8090		

**XANTIA (+) Hydractive Suspension**

2.0i, 2.0i 16 V	95→ 01	SP8068	SP8069		SP8011	SP8083	SP8087	SP8033	
2.0i Turbo C.T. (Constant Torque)	95→ 01	SP8068	SP8069		SP8011	SP8083	SP8087	SP8033	
1.9 L Turbo Diesel	95→ 01	SP8068	SP8069		SP8011	SP8083	SP8087	SP8033	
2.1 L Turbo Diesel	95→ 01	SP8068	SP8069		SP8011	SP8083	SP8087	SP8033	
2.0 L HDi Turbo Diesel Common Rail	95→ 01	SP8068	SP8069		SP8011	SP8083	SP8087	SP8033	
 (+) Comfort	95→ 01	SP8091	SP8069		SP8011	SP8083	SP8092	SP8033	





	1	4	6	3	8	2	5	7
	SPHERE	REGULATOR	ANTI-ROLL	MAIN ACCU	ANTI-SINK	SPHERE	REGULATOR	ANTI-ROLL

## XM (-) Hydractive Suspension

2.0 L (-) Inj.	89→ 92	SP8016			SP8011 (2X)	SP8083	SP8031		
2.0i 8 V	89→ 7.94	SP8016			SP8011 (2X)	SP8083	SP8031		
2.0i 8 V, 2.0i 16 V	8.94→	SP8016			SP8011 (2X)	SP8083	SP8077		
2.1 L Diesel	→ 7.94	SP8016			SP8011 (2X)	SP8083	SP8031		
2.1 L Diesel	8.94→	SP8016			SP8011 (2X)	SP8083	SP8077		
2.1 L Turbo Diesel	→ 7.94	SP8017			SP8011 (2X)	SP8083	SP8031		
2.1 L Turbo Diesel	8.94→	SP8078			SP8011 (2X)	SP8083	SP8077		
 (+) Comfort	89→	SP8020			SP8011 (2X)	SP8083	SP8039		

## XM (+) Hydractive Suspension

2.0 L (-) Inj.	→ 2.93	SP8014	SP8013		SP8011 (2X)	SP8083	SP8034	SP8033	
2.0 L (-) Inj.	2.93→ 7.94	SP8075	SP8013		SP8011 (2X)	SP8083	SP8021	SP8033	
2.0 L (-) Inj.	7.94→	SP8076	SP8069		SP8011 (2X)	SP8083	SP8063	SP8033	
2.0i	→ 2.93	SP8014	SP8013		SP8011 (2X)	SP8083	SP8034	SP8033	
2.0i	2.93→ 7.94	SP8075	SP8013		SP8011 (2X)	SP8083	SP8021	SP8033	
2.0i, 2.0i 16 V	7.94→	SP8076	SP8069		SP8011 (2X)	SP8083	SP8063	SP8033	
2.0i Turbo C.T. (Constant Torque)	→ 2.93	SP8046	SP8013		SP8011 (2X)	SP8083	SP8034	SP8033	
2.0i Turbo C.T. (Constant Torque)	2.93→ 7.94	SP8075	SP8013		SP8011 (2X)	SP8083	SP8021	SP8033	
2.0i Turbo C.T. (Constant Torque)	7.94→	SP8076	SP8069		SP8011 (2X)	SP8083	SP8063	SP8033	
3.0 L V 6 12 V	→ 2.93	SP8046	SP8013		SP8011 (2X)	SP8083	SP8034	SP8033	
3.0 L V 6 12 V	2.93→ 5.93	SP8075	SP8013		SP8011 (2X)	SP8083	SP8021	SP8033	
3.0 L V 6 12 V	5.93→ 7.94	SP8062	SP8069		SP8011 (2X)	SP8083	SP8021	SP8033	
3.0 L V 6 12 V	7.94→	SP8076	SP8069		SP8011 (2X)	SP8083	SP8063	SP8033	
3.0 L V 6 24 V	7.94→ 12.97	SP8076	SP8069		SP8011 (2X)	SP8083	SP8063	SP8033	
3.0 L V 6 24 V	1.98→	SP8093	SP8069		SP8011 (2X)	SP8083	SP8063	SP8033	
2.1 L Diesel	→ 2.93	SP8014	SP8013		SP8011 (2X)	SP8083	SP8034	SP8033	
2.1 L Diesel	2.93→ 7.94	SP8075	SP8013		SP8011 (2X)	SP8083	SP8021	SP8033	
2.1 L Diesel	7.94→	SP8076	SP8069		SP8011 (2X)	SP8083	SP8063	SP8033	
2.1 L Turbo Diesel	→ 2.93	SP8046	SP8013		SP8011 (2X)	SP8083	SP8034	SP8033	
2.1 L Turbo Diesel	2.93→ 7.94	SP8075	SP8013		SP8011 (2X)	SP8083	SP8021	SP8033	



	1	4	6	3	8	2	5	7
	SPHERE	REGULATOR	ANTI-ROLL	MAIN ACCU	ANTI-SINK	SPHERE	REGULATOR	ANTI-ROLL

2.1 L Turbo Diesel	7.94→	SP8076	SP8069		SP8011 (2X)	SP8083	SP8063	SP8033	
2.5 L Turbo Diesel	7.94→	SP8076	SP8069		SP8011 (2X)	SP8083	SP8063	SP8033	
(+) Comfort	89→	SP8020	SP8069		SP8011 (2X)	SP8083	SP8039	SP8033	

**XM (-) Hydractive Suspension**

2.0i, 2.0i 16 V	91→	SP8040			SP8011 (2X)	SP8083	SP8045		
2.1 L Diesel	→ 7.94	SP8040			SP8011 (2X)	SP8083	SP8045		
2.1 L Diesel	7.94→	SP8017			SP8011 (2X)	SP8083	SP8045		
2.1 L Turbo Diesel	→ 7.94	SP8040			SP8011 (2X)	SP8083	SP8045		
2.1 L Turbo Diesel	7.94→	SP8078			SP8011 (2X)	SP8083	SP8045		
(+) Comfort	91→	SP8041			SP8011 (2X)	SP8083	SP8042		

**XM (+) Hydractive Suspension**

2.0i, 2.0i 16 V	91→	SP8076	SP8069		SP8011 (2X)	SP8083	SP8074	SP8048	
2.0i Turbo C.T. (Constant Torque)	91→	SP8076	SP8069		SP8011 (2X)	SP8083	SP8074	SP8048	
3.0 L V 6 12 V	→ 5.93	SP8046	SP8013		SP8011 (2X)	SP8083	SP8047	SP8048	
3.0 L V 6 12 V	5.93→12.97	SP8062	SP8069		SP8011 (2X)	SP8083	SP8074	SP8048	
3.0 L V 6 24 V	1.98→	SP8093	SP8069		SP8011 (2X)	SP8083	SP8074	SP8048	
2.1 L Diesel	91→	SP8076	SP8069		SP8011 (2X)	SP8083	SP8074	SP8048	
2.1 L Turbo Diesel, 2.5 L Turbo Diesel	91→	SP8076	SP8069		SP8011 (2X)	SP8083	SP8074	SP8048	
(+) Comfort	91→	SP8041	SP8069		SP8011 (2X)	SP8083	SP8042	SP8048	



	OESPECTRUM	REFLEX	ORIGINAL			OESPECTRUM	REFLEX	ORIGINAL		
	RIDESENSE	ADVENTURE				RIDESENSE	ADVENTURE	LEVELING		

## DACIA

### DACIA

1200, 1300, 1310, 1410	05.70→12.98			R6326				R3725		
------------------------	-------------	--	--	-------	--	--	--	-------	--	--

### DOKKER, DOKKER Stepway

1.2 TCe, 1.6 SCe, 1.6, 1.6 LPG, 1.5 dCi	11.12→			G7467				G2234		
---	--------	--	--	-------	--	--	--	-------	--	--

### DUSTER

1.2, 1.6, 1.6 Hi-Flex, 1.6 LPG, 1.5 DCi (=) (4 x 2) (+)	08→			G7372	MK300 PK286			G1153		
1.2, 1.6, 1.6 Hi-Flex, 1.6 LPG, 1.5 DCi (=) (4 x 2) (+)	08→			G7373	MK300 PK286			G1153		
1.2, 1.6, 1.6 Hi-Flex, 1.6 LPG, 1.5 DCi (=) (4 x 4) (+)	08→			G7372	MK300 PK286			G7386		
1.2, 1.6, 1.6 Hi-Flex, 1.6 LPG, 1.5 DCi (=) (4 x 4) (+)	08→			G7373	MK300 PK286			G7386		

### LODGY, LODGY STEPWAY

1.2 TCe, 1.6 SCe, 1.6, 1.6 LPG, 1.5 dCi (-)	03.12→			G7466				G2234		
1.2 TCe, 1.6 SCe, 1.6, 1.6 LPG, 1.5 dCi (+)	03.12→			G7467				G2234		

### LOGAN

1.2, 1.4, 1.6, 1.5 dCi (+)	08.04→06.13			G7203	MC212 MK300 PK286			23991		
----------------------------	-------------	--	--	-------	-------------------	--	--	-------	--	--

### LOGAN II

(-)	10.12→			G7456				G1225		
0.9, 1.2, 1.5 dCi (+)	10.12→			G7455				23991		

### LOGAN MCV

1.2, 1.4, 1.6, 1.5D (+)	08.06→06.13			G7369	MK300 PK286			G1137		
-------------------------	-------------	--	--	-------	-------------	--	--	-------	--	--

MC... =

MK... =

PK... =



<b>MONROE</b>	OESPECTRUM	REFLEX	ORIGINAL			OESPECTRUM	REFLEX	ORIGINAL		
	RIDESENSE	ADVENTURE				RIDESENSE	ADVENTURE	LEVELING		

**LOGAN MCV II**

0.9, 1.2, 1.5 dCi (-) $\pm$	02.13→			G7456				G1225		$\frac{1}{0}$
0.9, 1.2, 1.5 dCi (+) HD $\pm$	02.13→			G7455				23991		$\frac{1}{0}$
0.9 LPG, 1.2 LPG (-) HD $\pm$										

**LOGAN VAN**

1.4, 1.6, 1.5 DCi (+) ND	10.07→06.13			G7369	MK300 PK286			G1137		$\frac{1}{0}$
--------------------------	-------------	--	--	-------	-------------	--	--	-------	--	---------------

**LOGAN Pick-up**

1.4, 1.6, 1.5 DCi (+) ND	04.08→08.13			G7369	MK300 PK286			G1158		$\frac{1}{0}$
--------------------------	-------------	--	--	-------	-------------	--	--	-------	--	---------------

**NOVA**

1.4 GLi, 1.4 GT, 1.6 GTi	04.94→08.99			11036						$\frac{1}{0}$
--------------------------	-------------	--	--	-------	--	--	--	--	--	---------------

**SANDERO (BS)**

1.2, 1.4, 1.6, 1.0 Hi-Flex, 1.6 Hi-Flex, 1.2 LPG, 1.4 LPG, 1.6 LPG, 1.5 dCi,	12.07→06.13			G7203	MC212 MK300 PK286			23991		$\frac{1}{0}$
--	-------------	--	--	-------	-------------------	--	--	-------	--	---------------

**SANDERO Stepway (BS)**

1.6, 1.6 LPG, 1.5 dCi, (+) ND	11.08→12.12			G7379	MK300 PK286			G1147		$\frac{1}{0}$
1.6, 0.9 TCe, 1.2, 0.9 TCe LPG, 1.2 LPG, 1.5 dC	01.13→			G7457				G1147		$\frac{1}{0}$

**SANDERO (B8)**

0.9 TCe, 1.2, 1.6, 0.9 TCe LPG, 1.2 LPG, 1.5 dCi	01.13→			G7456				G1225		$\frac{1}{0}$
0.9 TCe, 1.2, 1.6, 0.9 TCe LPG, 1.2 LPG, 1.5 dCi (+) $\pm$	01.13→			G7455				G1225		$\frac{1}{0}$

**SOLENZA**

1.4, 1.9 D	02.03→10.05			11036						$\frac{1}{0}$
------------	-------------	--	--	-------	--	--	--	--	--	---------------

**SUPERNOVA**

1.4	03.00→12.03			11036						$\frac{1}{0}$
-----	-------------	--	--	-------	--	--	--	--	--	---------------

**DAEWOO → CHEVROLET / DAEWOO**

**DAF 1975 → VOLVO**

MC... =	MK... =	PK... =
---------	---------	---------



	OESPECTRUM	REFLEX	ORIGINAL			OESPECTRUM	REFLEX	ORIGINAL		
	RIDESENSE	ADVENTURE				RIDESENSE	ADVENTURE	LEVELING		

## DAIHATSU

## APPLAUSE

<b>A 101</b> (16 L, 16 X) (=) (4 x 2) (=) (-)	06.89→08.97		E4018 <sup>1</sup> (E4018R E4019L)		MC212			E4020 <sup>1</sup> (E4020R E4021L)		MC212	
<b>A 101</b> (16 L, 16 X) <b>A 101</b> (16 Li, 16 Xi) (=) (4 x 2) (=) (+)	06.89→08.97		E4018 <sup>1</sup> (E4018R E4019L)		MC212			E4022 <sup>1</sup> (E4022R E4023L)		MC212	

## CHARADE

<b>G 100</b> (1000) Gasoline-Turbo <b>G 101</b> (1000) Diesel-Turbo <b>G 102</b> (1300) Gasoline (-) G 100 GTti (-) G 112 (4 x 4)	01.87→07.93									G15031 	MC212 PK036	
<b>G 200</b> (1300) <b>G 202</b> (1000) <b>G 203</b> (1500) (=) (-)	01.93→08.96		E4012 <sup>1</sup> (E4012R E4013L)		MC212			E4014 <sup>1</sup> (E4014R E4015L)		MC212		
<b>G 201</b> (1600 GTi) (-)	01.93→08.96		E4012 <sup>1</sup> (E4012R E4013L)		MC212			E4016 <sup>1</sup> (E4016R E4017L)		MC212		
<b>G 200</b> (1300) <b>G 202</b> (1000) <b>G 201</b> (1600 GTi) <b>G 203</b> (1500) (=) (+)	01.93→08.96		E4012 <sup>1</sup> (E4012R E4013L) + AK243		MC212			E4016 <sup>1</sup> (E4016R E4017L)		MC212		

## CHARMANT

<b>A 35</b> (1300)	10.81→08.83			MR850							
--------------------	-------------	--	--	-------	--	--	--	--	--	--	--

## CUORE VI/DOMINO

<b>1.0</b> L701	10.98→05.03				MC212				R3469		
-----------------	-------------	--	--	--	-------	--	--	--	-------	--	--

## CUORE VII

<b>1.0</b> L251	02.03→07.08			G7150 					G1122		
				G7151 							

## CUORE VIII

<b>0,7</b> L275 <b>1.0</b> L276	12.06→ 09.07→								G1501		
------------------------------------	------------------	--	--	--	--	--	--	--	-------	--	--

## FEROZA/SPORTRAK (4 x 4)

<b>F 300 Series</b> (-) F 310 Series	10.88→12.97		D8465					D4442			
---	-------------	--	-------	--	--	--	--	-------	--	--	--





<b>MONROE</b>	OESPECTRUM	REFLEX	ORIGINAL			OESPECTRUM	REFLEX	ORIGINAL		
	RIDESENSE	ADVENTURE				RIDESENSE	ADVENTURE	LEVELING		

**MOVE 5<sup>+</sup> (4 x 2)**

0.7	L 900 L 902 Move 1.0 L 901	09.98 → 09.02				MC212				R3469		
-----	----------------------------------	---------------	--	--	--	-------	--	--	--	-------	--	--

**SIRION/STORIA (4 x 2)**

1.0 1.3	M100 M101	01.98 → 03.05								R3469		
1.0, 1.3, 1.5	M30#	04.05 →			G9505					G1146		

**TAFT/ROCKY/FOURTRACK (4 x 4)**

F 25, F 55, F 65		79 → 84			V2501					D7561		
Rocky (Wild Cat), F 70, F 75, F 80, F 85		93 → 04.93		D4442						D4442		
F 77, F 87		93 → 04.93		D4442						D7561		
Rocky, F 73, F 78, F 98		05.93 → 12.01		D5476						D8477		

**TERIOS**

1.3	J1##	05.97 → 05.00		D0001 (D0001R D0002L)		MC112				D7639		
1.3	J1##	05.00 → 12.01		D0001 (D0001R D0002L)						D7011		
1.3	J1##	01.02 → 12.05		D0034 (D0034R D0035L)						D7011		
1.3, 1.5 (-)	J2##	11.05 →		D0308		MC112				D7021		

**YRV (4 x 2)**

1.0, 1.3	M2##	10.00 → 05								R3469		
----------	------	------------	--	--	--	--	--	--	--	-------	--	--

**DAIMLER → JAGUAR-DAIMLER**

**DAIMLER BENZ → MERCEDES BENZ**

**DATSUN → NISSAN**

**DODGE**

**CALIBER**

SE, SXT (-) SRT 4		06 → 11	72367ST 							72401ST		
			72368ST 									

**CARAVAN, GRAND CARAVAN**

Caravan		84 → 85				MK261				37065		
Caravan (+/-) (4 x 4)		86 → 02.95	72591ST			MK261				37065		
Caravan (-) (-) Models w/height sensing brake prop. valve		03.95 → 00	71964			MK262				37123ST		

MC... =      MK... =      PK... =



	OESPECTRUM	REFLEX	ORIGINAL			OESPECTRUM	REFLEX	ORIGINAL		
	RIDESENSE	ADVENTURE				RIDESENSE	ADVENTURE	LEVELING		

<b>Caravan</b> (+)	03.95→ 00	<b>71964</b>				MK262						
<b>Caravan</b> (-) (-) AWD (-) Models w/height sensing brake prop. valve	01→ 07	<b>71572</b>				MK278		<b>37123ST</b>				
<b>Caravan</b> (+) (-) AWD	01→ 05	<b>71572</b>				MK278						
<b>Caravan</b> (+) AWD	01→ 07											
<b>3.3, 3.6, 3.8, 4.0, 2.8 D</b> (-)	08→ 14	<b>71128ST</b>						<b>37290ST</b>				
<b>3.3, 3.6, 3.8, 4.0, 2.8 D</b> (+)	08→ 14	<b>71128ST</b>						<b>58648ST</b>				

**INTREPID**

 (-) R/T	98→ 04	<b>71667</b> 						<b>71669</b>				
		<b>71668</b> 										
R/T	99→ 04							<b>71669</b>				

**JOURNEY**

<b>2.4, 2.7, 3.5, 2.7 FlexFuel, 2.0 D</b>	06.08→ 12.11	<b>72509ST</b> 						<b>72511ST</b>				
		<b>72510ST</b> 										
<b>2.4, 3.5, 3.6 FlexFuel</b> (-)	01.11→	<b>72509ST</b> 						<b>72896ST</b>				
		<b>72510ST</b> 										

**NEON**

ES	06.94→ 09.99	<b>71959</b>						<b>71960</b>				
PL (-) SRT4	08.99→ 09.05	<b>71580</b>						<b>71579ST</b> 				
								<b>71578ST</b> 				

**NITRO**

	07→ 11	<b>71577</b>						<b>37203</b>				
--	--------	--------------	--	--	--	--	--	--------------	--	--	--	--

**STRATUS**

JA	05.95→ 98	<b>71897</b>						<b>71282</b>				
JA	99→ 12.00	<b>71565</b>						<b>71311</b>				
ST	06.01→ 12.05	<b>72147ST</b> 										
		<b>72148ST</b> 										
JR	10.00→ 06.10	<b>71565</b>						<b>71311</b>				

MC... =      MK... =      PK... =

DODGECITROËN



	OESPECTRUM	REFLEX	ORIGINAL			OESPECTRUM	REFLEX	ORIGINAL		
	RISESENSE	ADVENTURE				RISESENSE	ADVENTURE	LEVELING		

# DODGE TRUCK

## W MODELS & RAM 1500 1/2 Ton

1500 Series (-) (4 × 4)	06.01 → 12.08	37208ST									
----------------------------	---------------	---------	--	--	--	--	--	--	--	--	--

# EBRO

## F SERIES, TRADE

F 350	87 → 01								V1045		
Trade 2.8											

## L SERIES

L 35	80 → 90			V1071					V1045		
L 45	80 → 90			V1071					V1127		
L 35 F	80 → 90			V1071							
L 45 F											

# FIAT

## 124, 124 SPIDER

	66 → 68										
→ ch.no. 466320											
	67 → 68			R2559							
→ ch.no. 066058											
→ ch.no. 1759186											
S, T Pininfarina	68 → 74 → 84			R2559					R3274		

## 124

Familiare	66 → 74			R2559					G22563		
-----------	---------	--	--	-------	--	--	--	--	--------	--	--

## 126

126 (-) 126 Bis.	72 → 09.00			R1584					R2608		
---------------------	------------	--	--	-------	--	--	--	--	-------	--	--

## 127

1100, 1300 (+)	78 → 84			R11025	MC110				R11001		
900, 1050 C, L, CL, Special, Super	71 → 84										

## 128

128A	03.69 → 09.81			R11003	MC110				R11004		
------	---------------	--	--	--------	-------	--	--	--	--------	--	--

## 131

	74 → 2.78			11002	MC110				R3274		
→ veh.no. 4214186											
S	75 → 78										

MC... =	MK... =	PK... =
---------	---------	---------





	OESPECTRUM	REFLEX	ORIGINAL			OESPECTRUM	REFLEX	ORIGINAL		
	RIDESENSE	ADVENTURE				RIDESENSE	ADVENTURE	LEVELING		

03.78 → 02.81 veh.no. 4214186 → (-) Diesel										
<b>Diesel</b> veh.no. 1012811 → 1061527	03.81 → 09.81									R3274
<b>Racing</b>	07.78 → 12.83									
03.81 → 12.83 (-) Diesel				R11026	MC110					R3274
<b>Diesel</b> → veh.no. 1012811	07.78 → 02.81									R3274
<b>Diesel</b> veh.no. 1061527 → veh.no. 4761913 → veh.no. 4359331 →	10.81 → 12.83			11501	MC110					R3274

**131**

Only for Turkey	83 → 02									R1650
-----------------	---------	--	--	--	--	--	--	--	--	-------

**131**

(-) Diesel	03.81 → 12.83			R11026	MC110					
<b>Diesel</b> veh.no. 1061527 → veh.no. 4761913 → veh.no. 4359331 →	10.81 → 84			11501	MC110					

**131**

Only for Turkey	83 → 02									R1657
-----------------	---------	--	--	--	--	--	--	--	--	-------

**132**

<b>132</b>	72 → 86			G23264						
<b>Argenta</b>	81 → 86									G23265

**133**

<b>133</b>	06.75 → 12.78									R2503
------------	---------------	--	--	--	--	--	--	--	--	-------

**147**

<b>147</b> → ch.no. 359244	09.76 → 10.95									R11001
										Orig. no 4359844

**242 Series**

1.6, 1.9, 2.2D, 2.5D				V1065						
-------------------------	--	--	--	-------	--	--	--	--	--	--

**500, 600**

<b>500, 500 F, 500 L, Giardiniera</b>	57 → 76			R1584						R1550
<b>600, 600 D</b>	55 → 71			R1503						R1554

**500**

0.9, 1.0, 1.2, 1.4, 1.3 Multijet, 1.2 LPG (-) Abarth	07.07 →			G7305 	MK095 PK148					
				G7306 					G1083	PK332

MC... =      MK... =      PK... =



	OESPECTRUM	REFLEX	ORIGINAL			OESPECTRUM	REFLEX	ORIGINAL		
	RIDESENSE	ADVENTURE				RIDESENSE	ADVENTURE	LEVELING		

**500 L**

0.9, 1.4, 1.4LPG, 1.3JTD, 1.6D (+) Trekking (-) 7 Seater	09.12→	742222SP 				PK148		376218SP			MK384R MK385L PK332	
		742223SP 										
0.9, 1.4, 1.4LPG, 1.3JTD, 1.6D (=) 7 Seater	09.12→	742222SP 				PK148		376239SP			MK384R MK385L PK332	
		742223SP 										

**850, 850 SPIDER**

850, 850 L, 850 Special	06.64→09.72								R2503			
-------------------------	-------------	--	--	--	--	--	--	--	-------	--	--	--

**ALBEA**

1.2, 1.4, 1.6, 1.3 JTD (+)	09.01→12.12			G16356		MC112 MK374R MK375L PK109				G2120		
----------------------------------	-------------	--	--	--------	--	------------------------------------	--	--	--	-------	--	--

**BARCETTA**

	01.95→06.05	742037SP	E4580 <sup>1</sup>			MC110		376065SP	E1175 <sup>1</sup>			
--	-------------	----------	--------------------	--	--	-------	--	----------	--------------------	--	--	--

**BRAVO, BRAVA** 95→01

1.4, 1.6 → vet.no. 4085697	95→1.96			16112		MC110			E1030 <sup>1</sup>	23430	PK130	
1.2 16V, 1.4, 1.6 vet.no. 4085698 →	01.96→01											
1.9 D, 2.0 D 1.8 16V, 1.9 TD, 1.9 JTD (-) Sport Pack	95→01		E4565 <sup>1</sup>	16707		MC110 MK051 PK006			E1030 <sup>1</sup>	23430	PK130	
2.0 20 V HGT (-) Sport Pack	95→01					MC112 MK007 PK006				42057	PK130	
Sport Pack	95→01			16599		MC112				42057		

**BRAVO** 07→15

1.4, 1.6 JTD, 1.9 JTD, 2.0 JTD (-) Sport Pack	04.07→12.14			G8110		MC110 MK302 PK334			E1307 <sup>1</sup>	23963	PK108	
---	-------------	--	--	-------	--	-------------------------	--	--	--------------------	-------	-------	--

**CINQUECENTO**

 (-)	07.91→07.98		E4008 <sup>1</sup>	10024		MC212 MK049 PK056			E1104 <sup>1</sup>	R3441	PK126	
 (+)	07.91→07.98		E4008 <sup>1</sup>	10024		MC212 MK049				R3472	PK126	

**COUPE**

1.8i 16V (4 Cyl.) (-) Special Plus	94→02											
2.0i 16V (4 Cyl.)	94→96			16664		MC110 MK007				42057		
2.0i 20V (5 Cyl.)	94→02											

MC... =      MK... =      PK... =



	OESPECTRUM	REFLEX	ORIGINAL			OESPECTRUM	REFLEX	ORIGINAL		
	RIDESENSE	ADVENTURE				RIDESENSE	ADVENTURE	LEVELING		

2.0i Turbo (4 Cyl.)	94→ 96			G16665	MC112 MK007				42057		
1.8 16 V Special Plus	99→ 02								42057		
2.0i Turbo (5 Cyl.)	96→ 02										

**CROMA**

1.6, 2.0	85→ 92										
2.0 ie, ie Turbo (+)	85→ 96			16518	MC112 MK060 PK007				16538	I36 MK116 PK007	
Diesel, Turbo Diesel, 2.5 ie V 6	85→ 96										

**CROMA**

1.8, 2.2, 1.9 MJTD, 2.4 MJTD	06.05→ 12.13	742102SP	E7020 <sup>1</sup> (E7020R E7021L)	16475	MC112 MK208 I79 PK164		376122SP	E5105 <sup>1</sup>	43124		
		742103SP		16476							

I79

MK001, MK202, MK342, MK343, MK344, MK345, MK346, MK347 =

MK149, MK208, MK263R, MK264L, MK271, MK321, MK322, MK376 =

MK067, MK068, MK077, MK156, MK194, MK326, MK332, MK334R, MK335L, MK337, MK372 = +

**DOBLO, DOBLO CARGO (119) (223)**

1.2, 1.4, 1.6, 1.9 DS, 1.3 JTD, 1.9 JTD (-)	11.00→ 12.13			16470	MK374R MK375L PK109				25506		
---	--------------	--	--	-------	---------------------------	--	--	--	-------	--	--

**DOBLO, DOBLO CARGO, DOBLO WORKUP, PRACTICO (152) (263)**



1.4, 1.4 Natural Power, 1.3 JTD, 1.6 JTD, 2.0 JTD	01.10→			G8208					G1171		
				G8209							

**DUCATO** 81→ 5.86

→ vet.no. 0284193	81→ 5.86				MK046						
vet.no. 0284194 →	81→ 5.86			V4407	Orig. no 7569730 MK046 PK074						

**DUCATO** 81→ 5.86

	08.81→ 05.84								V2027	Orig. no 4434812 4439194 5965476 5983928	
 vet.no. 0278758 →	08.82→ 05.86								V2037	7576729	

MC... =      MK... =      PK... =

FIAT

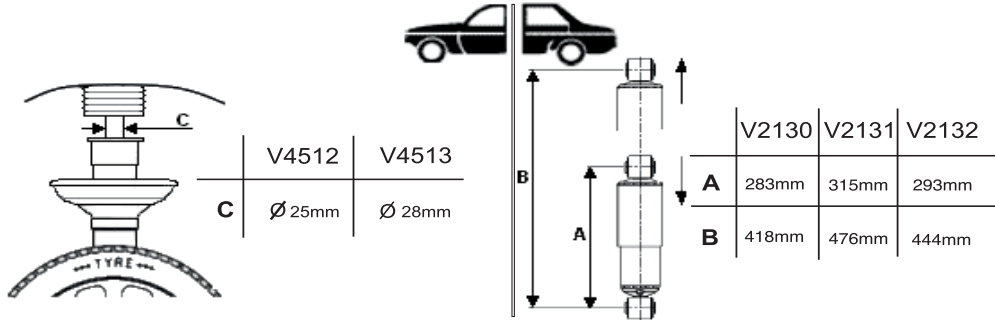


<b>MONROE</b>	OESPECTRUM	REFLEX	ORIGINAL			OESPECTRUM	REFLEX	ORIGINAL		
	RIDESENSE	ADVENTURE				RIDESENSE	ADVENTURE	LEVELING		

**DUCATO** **7.06→**

Q 11, Q 15, Q 17, Q 20 (-)	7.06→		V4512	169 MK308R MK309L PK285				V2130	169		
			V4513					V2131			V2132

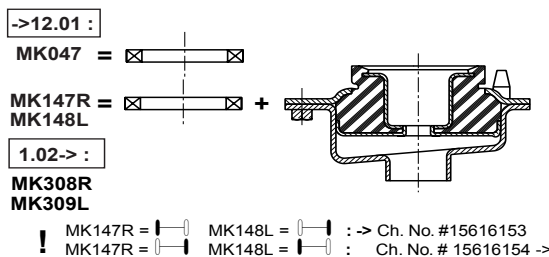
169



**NUOVO DUCATO**

(-) Maxi Ducato (1800 kg) (-)	06.86→ 94		V4407	Orig. no 7569730 MK046 PK074				V2027		
<b>Maxi Ducato</b> (=)  1800 kg (-)	06.86→ 94		∅					V2301		
 (-) Maxi Ducato (1800 kg)	06.86→ 94		V4407	7569730 MK046 PK074				V2037		
<b>Express 10-13-15</b>	06.86→ 94		V4407	MK046 PK074				V2027 V2037		
<b>10</b> (=)  1000 kg	06.86→ 94		V4501	MK047 MK147R MK148L MK308R MK309L 144 PK074				V2506		
<b>14</b> (=)  1400 kg	94→06.06		V4501	MK047 MK147R MK148L MK308R MK309L 144 PK074				V2507		
<b>18</b> (=)  1800 kg	94→06.06		V4410					V2509		
<b>Panorama</b>	94→06.06		V4501	MK047 MK147R MK148L MK308R MK309L 144 PK074				V2508	1312333080	

144



MC... =	MK... =	PK... =
---------	---------	---------



	OESPECTRUM	REFLEX	ORIGINAL			OESPECTRUM	REFLEX	ORIGINAL		
	RIDESENSE	ADVENTURE				RIDESENSE	ADVENTURE	LEVELING		

**DUNA/PRÊMIO/DUNA WEEKEND/PENNY/CITIVAN**

1.1, 1.3 → vet.no. 3400630	86 → 90			11108	MC110						
1.1, 1.3 vet.no. 3400630 →	86 → 90			11152	MC110						
1.7 D	86 → 90			11108	MC110						

**ELBA**

1.3, 1.4, 1.5, 1.6, 1.7 D	04.91 → 08.97			11108	MC110						
------------------------------	---------------	--	--	-------	-------	--	--	--	--	--	--

**FIORINO 127**

Fiorino → vet.no. 7017071 (=) ORIG. (EUR)	77 → 06.82			R11025	MC110				R11001		
Fiorino vet.no. 7017072 → (=) ORIG. (EUR)	07.82 → 84			R11025	MC110						
Fiorino (=) ORIG. (BR)	87 → 88			11108	MC110						

**FIORINO NUOVO**

Fiorino vet.no. 8000001 → 8149536 (=) ORIG. (BR)	88 → 90			11108	MC110				11563		
Fiorino vet.no. 8149537 → (=) ORIG. (BR)	91 → 07.93			11152	MC110				11567		
Fiorino (=) ORIG. (BR)	07.93 → 05.01			11152	MC110				25490		

**FIORINO**

1,4, 1,3 D Multijet	02.08 →			G8107 	MC212 MK313R MK314L PK140				G1090	PK335	
				G8108 							

**FREEMONT**

2.4, 3.6, 2.0 D	08.11 →	72509ST 							72896ST		
		72510ST 									

**GRANDE PUNTO (199)**

1.2, 1.4, 1.4 16V, 1.4 Bi-Fuel 1.3 JTD, 1.6 JTD, 1.9 JTD (+) ND (+) SP	10.05 → 06.13	742108SP 	E7068 <sup>1</sup> (E7068R E7069L)	G8063 	MK305 PK140				376130SP	E1354 <sup>1</sup>	G1037	MK384R MK385L PK018	
		742109SP 		G8064 									

**IDEA**

1.2, 1.4, 1.2 LPG, 1.3 JTD, 1.6 D, 1.9 JTD	10.05 → 06.13	742048SP	E7027 <sup>1</sup>		MK095 PK161				376075SP	E1333 <sup>1</sup>			
--	---------------	----------	--------------------	--	----------------	--	--	--	----------	--------------------	--	--	--

**LINEA**

1.4, 1.4 T-Jet 1.3 JTD, 1.6 JTD	10.06 →	742108SP 	E7068 <sup>1</sup> (E7068R E7069L)	G8063 	MK313R MK314L PK140				G1249			
		742109SP 		G8064 								

MC... =

MK... =

PK... =



<b>MONROE</b>	OESPECTRUM	REFLEX	ORIGINAL			OESPECTRUM	REFLEX	ORIGINAL		
	RIDESENSE	ADVENTURE				RIDESENSE	ADVENTURE	LEVELING		

**MAREA, MAREA WEEKEND**

1.2, 1.4, 1.6, 1.8, 1.9 TD, 1.9 JTD	96→ 03			G16725	MC110 MK051 PK010				25485		
2.0, 2.4 TD, 2.4 JTD	96→ 03			G16726	MC112 MK051 PK010				25485		

**MARENGO**

1.9 D, 1.9 TD (-)	04.90→ 07.96			G16531	MC110 MK007 PK032				25485		
1.9 TD, 1.9 JTD	07.96→ 08.02			G16725	MC110 MK051 PK010				25485		

**MULTIPLA**

1.6 16V, 1.9 TD (-) Bi-Power	10.98→ 06.10		E4937 <sup>1</sup>	G8325	MC110 MK048 PK288			E1258 <sup>1</sup>	G1264		
Bi-Power, 1.6 CNG, 1.6 LPG	10.98→ 06.10			G8281	MC110 MK048 PK288			E1258 <sup>1</sup>	G1264		

**PALIO**

1.0, 1.1, 1.2, 1.4, 1.6, 1.7 D Type 1 X (=) , (=)	06.96→ 10.03			16776	MC112 MK374R MK375L PK109				23965	PK110	
1.0, 1.2, 1.4, 1.5, 1.6, 1.7D Type 2 H (=) , (=)	07.01→ 01.12				MK374R MK375L				23965	PK110	

**PALIO/ALBEA**

 Only for Turkey	01→ 12			G16356							
---------------------	--------	--	--	--------	--	--	--	--	--	--	--

**PALIO WEEKEND**

1.2, 1.6, 1.7 TD Type PY	06.96→ 08.01										
1.2, 1.4, 1.6, 1.7 TD Type 1 Y (-) , (-)	07.96→ 09.01			16776	MC112 MK374R MK375L PK109				25485		
1.9 D Type PY (-) , (-)	03.98→ 08.01				MK374R MK375L PK109				25485		
1.2, 1.6, 1.9 D, 1.9 JTD Type 2 G (-) , (-)	09.01→ 10.04			G16356	MC112 MK374R MK375L PK109				25485		
1.4, 1.5 Type 2 K	02.02→ 12.08										
1.2, 1.6 Type 2 K (=) , (=)	09.01→ 10.04				MK374R MK375L						
1.7 D Type 3 F	01.05→ 12.09				MK374R MK375L				25485		

**PANDA**

0.8, 0.9, 1.0 (=) (4 x 2)	07.80→ 02.86			R11038	MC210 MK029 PK012				R3292	PK127	
0.75, 0.9, 1.0, 1.1, 1.3 (=) (4 x 2)	03.86→ 08.03			R11038	MC210 MK029 PK012				R3420	PK127	
1.1, 1.3 (=) (4 x 4)	03.86→ 08.03			11169	MC212 MK029 PK012				R3439	PK127	

MC... =      MK... =      PK... =



	OESPECTRUM	REFLEX	ORIGINAL			OESPECTRUM	REFLEX	ORIGINAL		
	RIDESENSE	ADVENTURE				RIDESENSE	ADVENTURE	LEVELING		

**PANDA (312)**

0.9, 1.2, 1.2LPG, 1.3JTD (=) (4 x 2)	01.12→			G8282						
				G8283						
0.9, 1.2, 1.2LPG, 1.3JTD Climbing, Trekking, Cross (=) (4 x 4)	01.12→			G8284						
				G8285						

**NUOVA PANDA, PANDA CLASSIC, PANDA VAN**

1.1, 1.2, 1.3 JTD Type 169 (=) (4 x 2) (-) Van	09.03→08.13			16381						
				16382						
1.2 LPG/GPL (+/-) Van	10.06→06.08			16381						
				16382						
1.1 Van, 1.3 JTD Van (=) (4 x 2) Type 169	03.04→12.12			G8174						
				G8175						
1.2 Natural Power Methane/CNG (+/-) Van	10.06→12.11			G8174						
				G8175						
1.2, 1.3 MJTD (=) (4 x 4) (+/-)Van Climbing, Trekking, Cross, Monster,	03.04→12.12			G8174						
				G8175						

**PENNY, DUNA FIORINO**

Fiorino (=) ORIG	86→ 88			11108		MC110					
Fiorino vet.no. 8000001→ 8149536 (=) ORIG	89→ 90			11108		MC110		11563			
Fiorino vet.no. 8149537 → (=) ORIG	91→07.93			11152		MC110		11567			
Fiorino (=) ORIG	07.93→			11152		MC110		25490			

**PUNTO (176)**

55, 60, 75, 90	09.93→ 99		E4259 <sup>1</sup>	11194		MC110 MK050 PK070		E1057 <sup>1</sup>	R3450		
TD, D, GT, 85	94→ 99			11647		MC110 MK050 PK070			R3450		

**PUNTO (188)**

1.2, 1.4 (-)	08.99→06.03		E4712 <sup>1</sup>	16306		MC110 MK095 PK161		E1275 <sup>1</sup>	23473		
1.2 16V (+)	99→06.03			16417		MC110 MK095 PK161		E1275 <sup>1</sup>	23473		
1.8 16V HGT											

MC... =      MK... =      PK... =



<b>MONROE</b>	OESPECTRUM	REFLEX	ORIGINAL			OESPECTRUM	REFLEX	ORIGINAL		
	RIDESENSE	ADVENTURE				RIDESENSE	ADVENTURE	LEVELING		

1.9 DS, 1.9 JTD 99→06.03											
1.9 JTD (-)	06.03→10.05		E4945 <sup>1</sup>	16416	MC110 MK095 PK161			E1275 <sup>1</sup>	23473		
1.2 8V, 1.2 16V, 1.4 16V, 1.3 JTD, 1.2 Gas (-)	06.03→03.12		E4712 <sup>1</sup>	16306	MC110 MK095 PK161			E1275 <sup>1</sup>	23473		

**PUNTO (199)**

0.9, 1.2, 1.4, 1.4 CNG, 1.4 LPG, 1.3 JTD (+)	03.12→	742108SP 	E7068 <sup>1</sup> (E7068R E7069L)	G8063 	MK305 PK140			376130SP	E1354 <sup>1</sup>	G1037	MK384R MK385L PK018	
(+)		742109SP 		G8064 								
(-) 1.4 Turbo												

**PUNTO EVO**

1.2, 1.4, 1.4 16V, 1.3 JTD, 1.6 JTD (+)	07.09→10.12	742108SP 	E7068 <sup>1</sup> (E7068R E7069L)	G8063 	MK305 PK140			376130SP	E1354 <sup>1</sup>	G1037	MK384R MK385L PK018	
(+)		742109SP 		G8064 								
(-) Abarth (-) 1.4 Turbo												

**QUBO**

1.4, 1.4 CNG, 1.3 D Multijet	9.08→			G8107 	MC212 MK313R MK314L PK140					G1090	PK335	
				G8108 								

**REGATA**

70, 75, 85, 100/90, ES, S, D, DS, DS Turbo	06.83→12.90			R11045	MC110 MK031 PK013					R11046		
---	-------------	--	--	--------	-------------------------	--	--	--	--	--------	--	--

**REGATA**

Weekend	06.83→12.90			R11045	MC110 MK031 PK013							
---------	-------------	--	--	--------	-------------------------	--	--	--	--	--	--	--

**RITMO, STRADA**

60, 65, 75 Super 75, 85 Diesel	78→09.82			11011	MC110 MK029 PK013					R11046		
105 TC	81→09.82											
125 TC	82→09.82									R11046		

**RITMO, NUOVA RITMO, RITMO II, STRADA**

60, 70, 75, 85, 100/90, ES, S, D, Turbo DS	10.82→08.88			R11045	MC110 MK031 PK013					R11046		
125, 130 TC (Abarth)	10.82→08.88									R11046		

**SCUDO**

1580, 2000 16V, 1867 D, 1905 D, 1905 TD, 2000 JTD (+)	95→09.97			V4201	MC112 MK048 PK122					V5006		
→ vet.no. 7609												
1580, 2000 16V, 1867 D, 1905 D, 1905 TD, 2000 JTD (+)	09.97→10.03			V4201	MC112 MK048 PK122					V2510		
vet.no. 7609→9793												
1867 D (+)	05.04→10.06											
vet.no. 10408 →												

MC... =      MK... =      PK... =





MONROE	OESPECTRUM	REFLEX	ORIGINAL			OESPECTRUM	REFLEX	ORIGINAL		
	RIDESENSE	ADVENTURE				RIDESENSE	ADVENTURE	LEVELING		
<b>2000, 2000 JTD</b> vet.no. 9793 →	10.03 →	06								
<b>1867 D</b> vet.no. 9793 → 10408	10.03 →	5.04			V4202 	MC112		V2510		OIO
(+) , (+)					V4203 					
<b>1.6 D Multijet,</b> <b>2.0 D Multijet</b>	11.06 →				G8167 	MK269R MK270L		V2517		OIO
					G8168 					

**SEDICI**

<b>1.6,</b> <b>1.9 D, 2.0 D</b> (=) (4 x 2)	6.06 →				G7509 	PK289		G1116		OIO
					G7510 					
<b>1.6,</b> <b>1.9 D, 2.0 D</b> (=) (4 x 4)	6.06 →				G7511 	PK289		G1116		OIO
					G7512 					

**SEICENTO/600**

<b>0.9, 1.1</b> (+/-) Sporting (-) Van (-) Electra	01.98 → 01.10		E4031 <sup>1</sup>	<b>10053</b>	MC212 MK049 PK056			R3472	PK126	OIO
<b>1.1 Van</b>	01.98 → 01.10		E4008 <sup>1</sup>	<b>10024</b>	MC212 MK049			R3472	PK126	OIO

**SIENA**

<b>1.2, 1.4, 1.5, 1.6,</b> <b>1.7 D, 1.7 TD</b> Type 2 A (=) , (=)	06.96 →	01		<b>16776</b>	MC112 MK374R MK375L PK109			23965	PK110	OIO
<b>1.2, 1.4, 1.6,</b> <b>1.3 MJTD, 1.7 TD</b> Type 2 L (=) , (=)	01 →	12.11		<b>G16356</b>	MC112 MK374R MK375L PK109			G2120		OIO

**STILO**

<b>1.2 16V, 1.4 16V, 1.6 16V</b>	10.01 → 08.08		E7001 <sup>1</sup>	<b>16454</b>	MC110 MK302 PK093		E1307 <sup>1</sup>	<b>23963</b>	PK108	OIO
<b>1.8 16 V</b>	10.01 → 08.08									
<b>1.9 JTD</b> 80 ps, 58 kW										
<b>1.9 JTD</b> 100 ps, 73 kW			E7002 <sup>1</sup>	<b>16455</b>	MC110 MK302 PK093		E1307 <sup>1</sup>	<b>23963</b>	PK108	OIO
<b>1.9 JTD</b> 115 ps, 85 kW										
<b>1.9 JTD</b> 120 ps, 88 kW										
<b>1.9 JTD</b> 126 ps, 93 kW	10.01 → 08.08									
<b>1.9 JTD</b> 136 ps, 100 kW										
<b>1.9 JTD</b> 140 ps, 103 kW			E7003 <sup>1</sup>	<b>G8320</b>	MC110 MK302 PK093		E1307 <sup>1</sup>	<b>23963</b>	PK108	OIO
<b>1.9 JTD</b> 150 ps, 110 kW										
<b>2.4 20 V</b>										
(+/-) GT, Abarth										

**STILO Multi Wagon**

<b>1.4, 1.6, 1.6 Bipower</b>	01.03 → 08.08		E7001 <sup>1</sup>	<b>16454</b>	MC110 MK302 PK093		E1327 <sup>1</sup>	<b>G1263</b>		OIO
<b>1.8 16V</b>	09.02 → 08.08									
<b>1.9 JTD</b> 80 ps, 58 kW										
<b>1.9 JTD</b> 115 ps, 85 kW			E7002 <sup>1</sup>	<b>16455</b>	MC110 MK302 PK093		E1327 <sup>1</sup>	<b>G1263</b>		OIO
<b>1.9 JTD</b> 120 ps, 88 kW										
<b>1.9 JTD</b> 126 ps, 93 kW	01.04 → 08.08									
<b>1.9 JTD</b> 136 ps, 100 kW										
<b>1.9 JTD</b> 140 ps, 103 kW			E7003 <sup>1</sup>	<b>G8320</b>	MC110 MK302 PK093		E1327 <sup>1</sup>	<b>G1263</b>		OIO
<b>1.9 JTD</b> 150 ps, 110 kW										

MC... =

MK... =

PK... =



	OESPECTRUM	REFLEX	ORIGINAL			OESPECTRUM	REFLEX	ORIGINAL		
	RIDESENSE	ADVENTURE				RIDESENSE	ADVENTURE	LEVELING		

### TALENTO I

	09.89 → 04.94			V4407	MK046 PK074				V2027		
 2.0, 1.9 D	09.89 → 04.94			V4407	MK046 PK074				V2037		

### TALENTO II

1.6 Ecojet, 1.6 Multijet	06.16 →								V1167		
--------------------------	---------	--	--	--	--	--	--	--	-------	--	--

### TEMPRA

1.4, 1.6, 1.9 D	03.90 → 08.96			16112	MC110 MK007 PK032			E1030 <sup>1</sup>	23430	PK130	
1.8i, 2.0i, 1.9 TD	03.90 → 08.96			G16531	MC110 MK007 PK032			E1030 <sup>1</sup>	23430	PK130	

### TEMPRA WEEKEND, TEMPRA S.W.

1.4, 1.6, 1.9 D (=) (4 x 2) (-)	03.90 → 10.96			16112	MC110 MK007 PK032				25485		
1.8i, 2.0i, 1.9 TD (=) (4 x 2) (-)	03.90 → 10.96			G16531	MC110 MK007 PK032				25485		

### TIPO

1.1, 1.4, 1.6, 1.7 D, 1.9 D	07.87 → 08.96			16112	MC110 MK007 PK032			E1030 <sup>1</sup>	23430	PK130	
1.8 16V, 2.0 16V, 1.8i, 2.0i, 1.9 TD	04.90 → 08.96			G16531	MC110 MK007 PK032			E1030 <sup>1</sup>	23430	PK130	

### ULYSSE

 → vet.no. 7609 (-) HD	04.94 → 09.97			11679	MC112 MK269R MK270L PK122				42056		
 (+) HD → vet.no. 7609	04.94 → 09.97			V4201	MC112 MK269R MK270L PK122				V5006		
 vet.no. 7609 → (-) HD	09.97 → 08.02			11679	MC112 MK269R MK270L PK122				26662		
 (+) HD vet.no. 7609 →	09.97 → 08.02			V4201	MC112 MK269R MK270L PK122				V2510		
2.0 16V, 3.0 V6, 2.0 JTD, 2.2 JTD	06.02 → 06.11	742119SP 	E7014 <sup>1</sup> (E7014R E7015L)		MK269R MK270L			376093SP	E2059 <sup>1</sup>		
		742120SP 									

### UNO

 (-) 1300 Turbo i.e (-) 1300 TD (-) 1367 TD (-) 1700 D (-) 1900 D	01.83 → 08.00			11120	MC210 MK030 PK013				R1608	MK125	
1300 Turbo i.e (-)	04.85 → 03.92										
1300 TD, 1367 TD, 1700 D, 1900 D	01.83 → 12.93										

MC... =      MK... =      PK... =



	OESPECTRUM	REFLEX	ORIGINAL			OESPECTRUM	REFLEX	ORIGINAL		
	RIDESENSE	ADVENTURE				RIDESENSE	ADVENTURE	LEVELING		

**UNO (CS)**

1.0, 1.1 Berlina, 1.1 Van, 1.3 → vet.no. 3648341				11108	MC110						
1.7 D Van	88→	91									
1.4 Berlina, 1.1 Van, 1.3 vet.no. 3648341 →		09.87→	10.06					11152	MC110		

**FIAT POLSKI → POLSKI FIAT****FORD****ANGLIA**

	10.53→	07.67								R1101	
--	--------	-------	--	--	--	--	--	--	--	-------	--

**B-MAX** 7.12→

1.0 Ecoboost, 1.4, 1.6 Ti-VCT 07.12→ 1.4 LPG, , 1.5 TDCi, 1.6 TDCi				G8288 						G1228	PK078	
				G8289 								

**C-MAX**

1.6, 1.8, 2.0, 1.8 Bio Petrol, 02.07→09.10 2.0 LPG 1.6 TDCi, 1.8 TDCi, 2.0 TDCi,	742080SP 	E4638 <sup>1</sup> (E4638R E4639L)	G8801 	MK282 PK156		376234SP	E1340 <sup>1</sup>	23988	MK202 MK376 I79 PK174	
	742081SP 		G8802 							
1.6 Duratec 63, 78, 93 kW 10.10→ 1.6 EcoBoost 112, 136 kW 1.6 TDCi 71, 86 kW 2.0 TDCi 86, 104, 122 kW (-)	742086SP 	E7104 <sup>1</sup> (E7104R E7105L)	G8171 	MK282 PK156		376234SP	E1340 <sup>1</sup>	23988	MK202 MK376 I79 PK174	
	742087SP 		G8172 							

I79

MK001, MK202, MK342, MK343, MK344, MK345, MK346, MK347 =

MK149, MK208, MK263R, MK264L, MK271, MK321, MK322, MK376 =

MK067, MK068, MK077, MK156, MK194, MK326, MK332, MK334R, MK335L, MK337, MK372 = +

**GRAND C-MAX**

1.0, 1.5, 1.6, 1.8, 1.8 BioPetrol, 2.0, 1.6 TDCi, 1.8 TDCi, 2.0 TDCi	02.07→	09.10				MK282					MK394	
--	--------	-------	--	--	--	-------	--	--	--	--	-------	--

**CONSUL**

	01.72→	08.77								R2602 AK201 I8	
--	--------	-------	--	--	--	--	--	--	--	----------------------	--

**CORTINA MK II, III, IV, V**

1300, 1600, 2000, 2300	01.70→	08.82								R1568	
------------------------	--------	-------	--	--	--	--	--	--	--	-------	--

**COUGAR**

	08.98→	12.01	742254SP	E4942 <sup>1</sup>		MK015		742255SP			MK128	
--	--------	-------	----------	--------------------	--	-------	--	----------	--	--	-------	--

**ESCORT** 8.80→ 5.83

1100, 1300, 1600 (-) 1600 GLS	09.81→	05.83								10016	MC112 PK031	
----------------------------------	--------	-------	--	--	--	--	--	--	--	-------	----------------	--

MC... =

MK... =

PK... =



	OESPECTRUM	REFLEX	ORIGINAL			OESPECTRUM	REFLEX	ORIGINAL		
	RIDSENSE	ADVENTURE				RIDSENSE	ADVENTURE			

**ESCORT/ORION** 5.83 → 8.90

1100, 1300, 1400, 1600, 1600i (-) Diesel	05.83 → 08.90										
Diesel	05.83 → 12.85			R11047	MK016 PK013				10016	MC112 PK031	
1600 Diesel Ghia (=)	01.86 → 08.90										
Diesel (-) Ghia	01.86 → 08.90				MK016 PK013				10016	MC112 PK031	

**ESCORT** 6.83 → 8.90

1100, 1300 (-) 1300 Petr.	06.83 → 08.90										
1600	06.83 → 04.84										
1600, 1600 D (-) 1600 Petr.	05.84 → 12.85			R11047	MK016 PK013				10016	MC112 PK031	
1400, 1600, 1600i (-) Diesel (-) RS Turbo	01.86 → 09.90										
1300 Petrol, 1600 Petrol (+)	05.84 → 12.85								10016	MC112 PK031	
Diesel	01.86 → 08.90				PK013				10016	MC112 PK031	

**ESCORT/ORION** 8.90 → 1.95

1.1, 1.3	08.90 → 01.95									
1.4	08.90 → 10.90				MK014 PK022				R3772	
1.8 D	08.90 → 11.90									
1.4, 1.6, 1.8, 1.8D, 1.8 TD (+/-)	10.90 → 01.95			11136	MK014 PK022				R3772	

**ESCORT** 1.95 → 99 (4 × 2)

1.3i, 1.4i, 1.6i 8V	01.95 → 08.95			G16220	MK053 PK022					MK127 PK018	
1.3i, 1.4i, 1.6 8V	08.95 → 99			G16220	MK053 PK022				23835	MK127 PK018	
1.6i 16V, 1.8i 16V, 1.8D, 1.8 TD	01.95 → 08.95			16221	MK053 PK022					MK127 PK018	
1.6i 16V, 1.8i 16V, 1.8D, 1.8 TD	08.95 → 99			16221	MK053 PK022				23835	MK127 PK018	

**ESCORT** 1.95 → 00 (4 × 2)

1.3i, 1.4i, 1.6i 8V	01.95 → 08.95			G16220	MK053 PK022					MK127 PK018	
1.3i, 1.4i, 1.6i 8V	08.95 → 99			G16220	MK053 PK022				23835	MK127 PK018	
1.6i 16 V, 1.8i 16V, 1.8D, 1.8 TD	01.95 → 08.95			16221	MK053 PK022					MK127 PK018	
1.6i 16 V, 1.8i 16V, 1.8D, 1.8 TD	08.95 → 00			16221	MK053 PK022				23835	MK127 PK018	

**ESCORT XR3, ESCORT RS** 2

XR 3i	10.82 → 05.83								10016	MC112 PK031	
XR 3i 1.6i	06.83 → 08.90			R11047	MK016 PK013				10016	MC112 PK031	
RS Turbo	84 → 08.90										

MC... =      MK... =      PK... =



	OESPECTRUM	REFLEX	ORIGINAL			OESPECTRUM	REFLEX	ORIGINAL		
	RIDESENSE	ADVENTURE				RIDESENSE	ADVENTURE	LEVELING		

XR3i 1.8i	08.90 → 01.95			11136	MK014 PK013				R3772		
RS 2000 (=) (4 x 2)	09.91 → 01.95			11136	PK013						

**ESCORT XR3i, ESCORT RS** 2

XR 3i 1.6i, 1.8i, RS2000 (+/-) 4 x 4	01.95 → 08.00			16221	MK053						
---	---------------	--	--	-------	-------	--	--	--	--	--	--

**ESCORT**

XR 3i	09.83 → 86			R11047	MK016 PK013				10016	MC112 PK031	
XR 3i, 1600i, 1.4	86 → 08.90										
1.4i, 1.6i	08.90 → 01.95			11136	MK014				R3772		
1.8i, XR3i	92 → 01.95										
1.4i, 1.6i, XR 3i, 1.8 TD	01.95 → 08.95			16221	MK053						
1.4i, 1.6i, XR 3i, 1.8 TD	08.95 → 99			16221	MK053				23835	MK127	

**ESCORT** 8.80 → 5.83

	09.81 → 05.83				PK013				10016	MC112 PK031	
--	---------------	--	--	--	-------	--	--	--	-------	----------------	--

**ESCORT** 6.83 → 8.90

	06.83 → 12.85			R11047	PK013				10016	MC112 PK031	
(-) 1600 Petr.	01.86 → 08.90										
(-) Diesel											
1600 Petrol (+)	05.84 → 12.85				PK013				10016	MC112 PK031	
Diesel	01.86 → 08.90								10016	MC112 PK031	

**ESCORT CLIPPER/TURNIER** 8.90 → 1.95

1.3	08.90 → 01.95										
1.4, 1.8 D	08.90 → 10.90				MK014 PK022				42050		
1.4	10.90 → 01.95										
1.6 1.4i, 1.6i, 1.8i, 1.8 D, 1.8 TD (+/-)	08.90 → 01.95			11136	MK014 PK022				42050		

**ESCORT CLIPPER/TURNIER** 1.95 → 00

1.3i, 1.4i, 1.6i 8V	01.95 → 08.95			G16220	MK053 PK022				42050		
1.6i 16V, XR 1.8i 16V, XR, 1.8i 16V, XR, 1.8 TD 1.8 D	01.95 → 08.95			16221	MK053 PK022				42050		
1.3i, 1.4i, 1.6i 8V	08.95 → 99			G16220	MK053 PK022				42059		
1.6i 16V, XR, 1.8i 16V, XR, 1.8 TD, 1.8 D	08.95 → 00			16221	MK053 PK022				42059		

MC... =      MK... =      PK... =



	OESPECTRUM	REFLEX	ORIGINAL			OESPECTRUM	REFLEX	ORIGINAL		
	RISESENSE	ADVENTURE				RISESENSE	ADVENTURE	LEVELING		

**ESCORT 35, ESCORT 55, ESCORT 75**

(-) 80→08.90				PK013				R2642		
(=)  500 kg 91→01.95				MK014 PK022				R2689		
(=)  700 kg 91→01.95			11136	MK014 PK022				R2689		
(=)  500 kg/700 kg 01.95→06.01			16221					R2689		

**FIESTA MK III** **89→95**

1.0, 1.1, 1.3, 1.6, 1.4, 1.8 D 89→12.93 (-) 1.4			11117	MK016 PK022				R3756		
1.3 SX, 1.4 , 1.4 S, 1.6 S, 1.8 Si, 1.8 TD 89→12.93			11118	MK016 PK022				R3756		
1.1 C, CLX, Ghia, Youth, Van 01.94→95 1.3 C, CLX, Ghia, Van 1.4 C, CLX, Ghia, Youth 1.8 D 1.8 D Van			11195	MK016 PK013				R3806		
1.1 SX, 1.3 SX 01.94→95 1.4 SX, Si, Futura 1.6 Ghia 1.1, 1.3, 1.4 (+) Stabilizer Bar			11196	MK016 PK013				R3806		
1.6 LX, Si, Futura 01.94→95			11196	MK016						

**FIESTA MK IV** **95→11.01**

1.0, 1.3, 1.25 16V, 1.4 16V, 1.8 D 08.95→10.98 3 , 5 , Van (=)		E4328 <sup>1</sup>	16226	MK055 PK022		E1162 <sup>1</sup>	23839	MK126 PK018		
1.0, 1.3, 1.25 16V, 1.4 16V, 1.8 D 08.95→10.98 3 , 5 , Van (=)			16227	MK055 PK022		E1162 <sup>1</sup>	23839	MK126 PK018		
1.0, 1.3, 1.25 16V, 1.4 16V, 1.8 D, 1.8 TDi 10.98→11.01 3 , 5 , Van (=)		E4328 <sup>1</sup>	16226	MK055 PK022		E1239 <sup>1</sup>	23901	MK126 PK018		
1.0, 1.3, 1.25 16V, 1.4 16V, 1.8 D, 1.8 TDi 10.98→11.01 3 , 5 , Van (=)			16227	MK055 PK022		E1239 <sup>1</sup>	23901	MK126 PK018		
1.6 16V 01.00→11.01 (+)			G16262	MK055 PK022			23936	MK126		

**FIESTA CLASSIC**

1.1 C, CLX, Ghia, Youth, Van 96→97 1.3 C, CLX, Ghia, Van 1.4 C, CLX, Ghia, Youth 1.8 D			11195	MK016 PK013				R3806		
1.1 SX, 1.3 SX 96→97 1.4 SX, Si, Futura 1.1, 1.3, 1.4 (+) Stabilizer Bar			11196	MK016 PK013				R3806		
1.6 LX, Si, Futura 96→97			11196	MK016						

MC... =      MK... =      PK... =



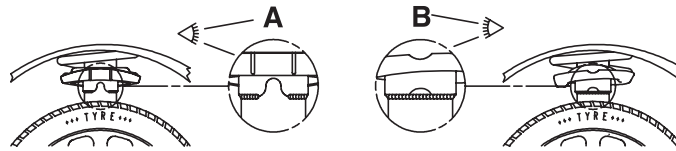
<b>MONROE</b>	OESPECTRUM	REFLEX	ORIGINAL			OESPECTRUM	REFLEX	ORIGINAL		
	RIDESENSE	ADVENTURE				RIDESENSE	ADVENTURE	LEVELING		

1.3, 1.8 D, 1.8 TDi (=)	01.02 → 04		E4328 <sup>1</sup>	16226	MK055 PK022			E1239 <sup>1</sup>	23901	MK126 PK018	
1.3, 1.8 D, 1.8 TDi (=)	01.02 → 04			16227	MK055 PK022			E1239 <sup>1</sup>	23901	MK126 PK018	

**FIESTA MK V 11.01 → 7.08**

1.3i, 1.4i, 1.6i, 1.4 TDCi	11.01 → 12.03			G16383		<b>I65</b> round spring (A)				43125	MK364 PK078	
				G16384		MK183 MK424 PK168						
1.25i, 1.3i, 1.4i, 1.6i, 1.4 TDCi, 1.6 TDCi	01.04 → 07.08			G16385		<b>I65</b> oval spring (B)				43125	MK364 PK078	
				G16386		MK183 MK424 PK168						

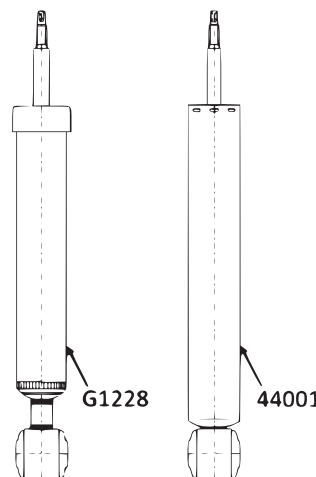
**I65**



**FIESTA MK VI 7.08 →**

1.25, 1.4, 1.6 Ti-VCT, 1.2 LPG, 1.4 LPG, 1.4 TDCi, 1.6 TDCi	07.08 → 10.12			G7303		MK317 PK291				44001	<b>I98</b> MK364 PK078	
				G7304						G1228		
1.0, 1.4, 1.0 Ecoboost, 1.6 Ti-VCT, 1.4 LPG, 1.5 TDCi (-) ST	11.12 →			G8288						G1228	PK078	
				G8289								

**I98**



**FIESTA XR2, RS**

XR 2i 1.6, 1.8 RS 1800	89 → 12.93								R3756		
XR 2i RS 1800	01.94 → 96			11196							

MC... =      MK... =      PK... =



<b>MONROE</b>	OESPECTRUM	REFLEX	ORIGINAL			OESPECTRUM	REFLEX	ORIGINAL		
	RIDESENSE	ADVENTURE				RIDESENSE	ADVENTURE	LEVELING		

**FIESTA 76 → 2.96**

(-) Courier	89 → 12.93			11117	MK016 PK022				R3756		
Courier	8.91 → 12.93			11118	MK016 PK022				43078		
Courier 1.3 Courier 1.8 D (-)	1.94 → 2.96			11196	MK016 PK013				43078		

**FIESTA 11.95 →**

Courier 1.3, 1.4 16V Courier 1.8 D (=) (-)	11.95 → 08.03		E4328 <sup>1</sup>	16226	MK055 PK022				43078		
Courier 1.3 Courier 1.8 D (=) (-)	11.95 → 08.03			16227	MK055 PK022				43078		

**FOCUS**

1.4i, 1.6i	10.98 → 11.04		E4386 <sup>1</sup> (E4386R E4387L)	G16275	MK114 MK427 PK084			E1242 <sup>1</sup>	23904	PK102	
				G16276							
1.8i, 2.0i, 1.8 TDDi, 1.8 TDCi	10.98 → 11.04		E4395 <sup>1</sup> (E4395R E4396L)	16282	MK114 MK427 PK084			E1242 <sup>1</sup>	23904	PK102	
				16283							
ST 170	09.02 → 11.04										

**FOCUS**

1.4i, 1.6i	02.99 → 10.04		E4386 <sup>1</sup> (E4386R E4387L)	G16275	MK114 MK427 PK084				23937	136	
				G16276							
1.8i, 2.0i, 1.8 TDDi, 1.8 TDCi	2.99 → 10.04		E4395 <sup>1</sup> (E4395R E4396L)	16282	MK114 MK427 PK084				23937	136	
				16283							

**FOCUS II**

1.4i, 1.6i, 1.6i Sport, 1.6 Ti Sport, 2.0i Sport, 1.6 TDCi, 1.8 TDCi, 2.0 TDCi	11.04 → 11	742080SP	E4638 <sup>1</sup> (E4638R E4639L)	G8801	MK282 PK156			E1340 <sup>1</sup>	23988	MK202 MK376 179 PK174	
		742081SP		G8802							

**FOCUS II CLIPPER/TURNIER**

1.4i, 1.6i, 1.6i Sport, 1.6 Ti Sport, 2.0i Sport, 1.6 TDCi, 1.8 TDCi, 2.0 TDCi	11.04 → 11	742080SP	E4638 <sup>1</sup> (E4638R E4639L)	G8801	MK282 PK156				43128		
		742081SP		G8802							

**FOCUS C-MAX**

1.6i, 1.6 Ti, 1.8i, 2.0, 1.6 TDCi, 1.8 TDCi, 2.0 TDCi (+/-)	10.03 → 03.07	742080SP	E4638 <sup>1</sup> (E4638R E4639L)	G8801	MK282 PK156			E1340 <sup>1</sup>	23988	MK202 MK376 179 PK174	
		742081SP		G8802							

MC... =      MK... =      PK... =





<b>MONROE</b>	OESPECTRUM	REFLEX	ORIGINAL			OESPECTRUM	REFLEX	ORIGINAL		
	RIDESENSE	ADVENTURE				RIDESENSE	ADVENTURE	LEVELING		

**I79**

MK001, MK202, MK342, MK343, MK344, MK345, MK346, MK347 =   
 MK149, MK208, MK263R, MK264L, MK271, MK321, MK322, MK376 =   
 MK067, MK068, MK077, MK156, MK194, MK326, MK332, MK334R, MK335L, MK337, MK372 =

**FOCUS III**

1.0, 1.6, 2.0, 1.6 TDCi, 2.0 TDCi (+)	01.11→	742086SP 	E7104 <sup>1</sup> (E7104R E7105L)	G8171 	MK282 PK156			376234SP	E1340 <sup>1</sup>	23988	MK202 MK394 I79 PK174		
		742087SP 		G8172 									

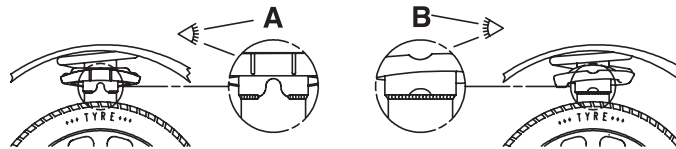
**FOCUS III CLIPPER/TURNIER**

1.0, 1.6, 2.0, 1.6 TDCi, 2.0 TDCi (+)	01.11→	742086SP 	E7104 <sup>1</sup> (E7104R E7105L)	G8171 	MK282 PK156					43128			
		742087SP 		G8172 									

**FUSION**

1.4i, 1.6i, 1.4 TDCi	3.02→12.03	742178SP 	E4745 <sup>1</sup> (E4745R E4746L)		!65 round spring (A) MK183 PK168			376080SP	E5110 <sup>1</sup>	43135	MK365 PK078		
		742179SP 											
1.25i, 1.4i, 1.6i, 1.4 TDCi, 1.6 TDCi	1.04→06.12	742093SP 	E4747 <sup>1</sup> (E4747R E4748L)	G7394 	!65 oval spring (B) MK183 PK168			376080SP	E5110 <sup>1</sup>	43135	MK365 PK078		
		742094SP 		G7395 									

**I65**



**GALAXY**

	96→05.06		E4562 <sup>1</sup>	G16694	MK344 MK067 I79 PK060				E1286 <sup>1</sup>	23957			
2.0 145 ps 2.3 161 ps 1.8 TDCi 100 ps, 125 ps 2.0 TDCi 136 ps 2.2 TDCi 175 ps (+) (-) (-)	05.06→	742084SP 	E7078 <sup>1</sup> (E7078R E7079L)	G8201 	MK400 MK323 PK290			376083SP	E2071 <sup>1</sup>	G2224	I36 MK393		
		742085SP 		G8202 									
	05.06→	C2506R 						C1506S					
(+)		C2507L 											

**GRANADA**

	71→85									R2602 AK201 I8			
--	-------	--	--	--	--	--	--	--	--	----------------------	--	--	--

MC... =      MK... =      PK... =



<b>MONROE</b>	OESPECTRUM	REFLEX	ORIGINAL			OESPECTRUM	REFLEX	ORIGINAL		
	RIDESENSE	ADVENTURE				RIDESENSE	ADVENTURE	LEVELING		

**KA (RB)**

1.0, 1.3	09.96→10.98			G16258	MK055 PK097				23879	MK126	
1.0, 1.3	10.98→03.00			G16258	MK055 PK097				23902	MK126	
1.0, 1.3, 1.6	04.00→04.03			G16258	MK055 PK097				23935	MK126	
1.0, 1.3, 1.6	04.03→11.08			G7301	MK055 PK097				23935	MK126	
				G7302							

**KA** **08→**

1.2, 1.3 TDCi	09.08→			G7305	MK095 PK148				G1083	PK332	
				G7306							

**SPORTKA**

1.3, 1.6	04.03→11.08			G7301	MK055 PK097				23935	MK126	
				G7302							

**STREETKA**

1.6	12.02→4.03		∅	∅	MK055 PK097				23935	MK126	
				∅							
1.6	4.03→7.05			G7301	MK055 PK097				23935	MK126	
				G7302							

**KUGA (C394)**

2.5, 2.0 TDCi	02.08→11.12	742196SP	E4652 <sup>1</sup> (E4652R E4653L)		MK282 PK156				376113SP	MK394 PK174	
		742197SP									

**KUGA (C520)**

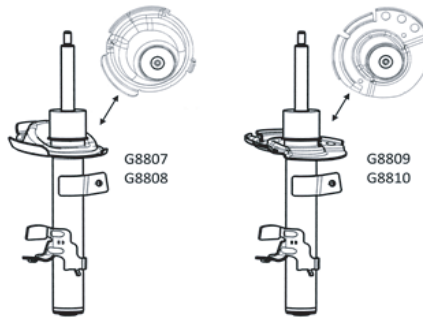
1.5 Ecoboost, 1.6 Ecoboost, 2.5, 2.0 TDCi	11.12→			G8807	I87				G1227	MK394	
				G8808							
				G8809							
				G8810							

MC... =	MK... =	PK... =
---------	---------	---------



	OESPECTRUM	REFLEX	ORIGINAL			OESPECTRUM	REFLEX	ORIGINAL		
	RIDESENSE	ADVENTURE				RIDESENSE	ADVENTURE	LEVELING		

I87



**MAVERICK**

	93→08.96									
	07.96→03		D5474					D8003		
	07.96→03		D5491					D8003		

**MONDEO I**

1.6i 16V, 1.8i 16V, 2.0i 16V, 2.5i 24V, 1.8 TD (-)	01.93→08.96				MK015 PK059			E4493 <sup>1</sup>	G16672	MK128 PK061	
---	-------------	--	--	--	----------------	--	--	--------------------	--------	----------------	--

**MONDEO I CLIPPER**

1.6i 16V, 1.8i 16V, 2.0i 16V, 2.5i 24V, 1.8 TD	04.93→08.96				MK015 PK059			E5308 <sup>1</sup>	G52020	I36	
--	-------------	--	--	--	----------------	--	--	--------------------	--------	-----	--

**MONDEO II**

1.6i, 1.6i 16V, 1.8i, 2.0i, 2.5i 24V 125 kW, 1.8 TD (-)	08.96→11.00		E4585 <sup>1</sup>	16721	MK015 MK426 PK059			E4493 <sup>1</sup>	G16672	MK128 PK061	
1.6i, 1.6i 16V, 1.8i, 2.0i, 2.5i 24V 125 kW, 1.8 TD (+)	08.96→11.00				MK015 MK426 PK059				G16672	MK128 PK061	

**MONDEO II CLIPPER**

1.6i, 1.6i 16V, 1.8i, 2.0i, 2.5i 24V 125 kW, 1.8 TD	08.96→11.00		E4585 <sup>1</sup>	16721	MK015 MK426 PK059			E5308 <sup>1</sup>	G52020	I36	
---	-------------	--	--------------------	-------	-------------------------	--	--	--------------------	--------	-----	--

**MONDEO III**

1.6 16V, 2.0 16V, 2.5 V6 24V, 2.0 16V Di, 2.0 16V TDDi, 2.0 TDCi	10.00→08.07	742075SP	E4971 <sup>1</sup>	16430	MK151 PK098		742098SP	E4972 <sup>1</sup>	16431	MK311 PK099	
1.8 SCi	06.03→02.07										
2.2 TDCi, 3.0 V6	09.04→08.07										
1.6 16V, 2.0 16V, 2.5 V6 24V, 2.0 16V Di, 2.0 16V TDDi, 2.0 TDCi	05.03→08.07										
1.8 SCi	06.03→02.07	742075SP	E4971 <sup>1</sup>	16430	MK151 PK098					MK311 PK099	
2.2 TDCi, 3.0 V6	09.04→08.07										
(-) 18" Wheels											

MC... =      MK... =      PK... =

FORD



<b>MONROE</b>	OESPECTRUM	REFLEX	ORIGINAL			OESPECTRUM	REFLEX	ORIGINAL		
	RIDESENSE	ADVENTURE				RIDESENSE	ADVENTURE	LEVELING		

**MONDEO III CLIPPER**

1.6 16V, 2.0 16V, 2.0 16V Di, 12.00→08.07 2.0 16V TDDi, 2.0 TDCi, 2.5 V6 24V, 1.8 SCi, 2.2 TDCi, 3.0 V6 (+)	<b>742075SP</b>	E4971 <sup>1</sup>	16430	MK151 PK098		<b>376160SP</b>	E5101 <sup>1</sup>	43120	<b>I36</b>	
---	-----------------	--------------------	-------	----------------	--	-----------------	--------------------	-------	------------	--

**MONDEO IV**

1.6 Ti, 2.0 (+) (+) (-)	03.07→09.14	<b>742106SP</b> 	E7076 <sup>1</sup> (E7076R E7077L)	<b>G8198</b> 	MK40 MK323 PK292		<b>376083SP</b>	E2071 <sup>1</sup>	<b>G2224</b>	<b>I36</b> MK393	
		<b>742107SP</b> 		<b>G8199</b> 							
2.3, 2.5, 1.8 TDCi, 2.0 TDCi, 2.2 TDCi (+) (-)	03.07→09.14	<b>742084SP</b> 	E7078 <sup>1</sup> (E7078R E7079L)	<b>G8201</b> 	MK400 MK323 PK292		<b>376083SP</b>	E2071 <sup>1</sup>	<b>G2224</b>	<b>I36</b> MK393	
		<b>742085SP</b> 		<b>G8202</b> 							
 (+)	03.07→09.14	<b>C2504R</b> 									
		<b>C2505L</b> 							<b>C1504S</b>		

**PUMA**

	6.97→ 8.98			<b>G16262</b>	MK055				<b>23889</b>	MK126 PK018	
	8.98→ 02			<b>G16262</b>	MK055				<b>23903</b>	MK126 PK018	

**RANGER**

1.8, 2.2, 2.6, 2.9, 2.5 Di, 2.5 TDDi (=) (4 x 2)	06.98→06.06			<b>V1119</b>					<b>V1117</b>		
1.8, 2.2, 2.6, 2.9, 2.5 Di, 2.5 TDDi (=) (4 x 2) (+) High Rider	06.98→06.06			<b>V1119</b>					<b>V1118</b>		
2.2, 2.6, 2.9, 2.5 Di, 2.5 TDDi (=) (4 x 4)	06.98→06.06										
2.2, 2.5 TDCi, 3.0 TDCi (=) (4 x 2) (-) High Rider	06.05→12.11		<b>D0031</b>					<b>D0033</b>			
2.2, 2.5 TDCi, 3.0 TDCi (+) High Rider	06.05→12.11		<b>D0032</b>					<b>D1102</b>			

**RANGER (T6)**

2.5, 2.2 TDCi, 3.2 TDCi (=) (4 x 2) (-) High Trail	04.11→		<b>D8091</b>					<b>D8092</b>			
2.5, 2.2 TDCi, 3.2 TDCi (+) High Trail Raised Body	04.11→		<b>D8093</b>					<b>D8094</b>			

**SCORPIO** (4 x 2)

Scorpio (-) 24V	10.84→09.94				PK060				<b>G22660</b>		
--------------------	-------------	--	--	--	-------	--	--	--	---------------	--	--

**SIERRA** (4 x 2)

 (-) XR 4i	08.82→05.84				PK008				<b>R2644</b>		
 (-) XR 4i (-) XR 4 X 4 (-) RS Cosworth	06.84→03.93				MK016 PK008				<b>R2644</b>		

MC... =      MK... =      PK... =



FORD

	OESPECTRUM	REFLEX	ORIGINAL			OESPECTRUM	REFLEX	ORIGINAL		
	RISESENSE	ADVENTURE				RISESENSE	ADVENTURE	LEVELING		

### SIERRA XR 4i (4 x 2)

	03.83 → 05.84							R2644		
 (-) XR 4 X 4 (-) RS Cosworth	06.84 → 03.93				PK008			R2644		

### S-MAX

2.0, 2.3, 2.5, 1.8 TDCi, 2.0 TDCi, 2.2 TDCi (+) (-)	05.06 → 12.15	742084SP 	E7078 <sup>1</sup> (E7078R E7079L)	G8201 	MK400 MK323 PK290			376083SP	E2071 <sup>1</sup>	G2224	I36 MK393	
 (+)	05.06 → 12.15	C2506R 		G8202 				C1506S				

### TAUNUS

1300 55 PS 1600 72 PS, 88 PS 2000 90 PS 2300 108 PS	09.70 → 12.82									R1568		
--	---------------	--	--	--	--	--	--	--	--	-------	--	--

### TOURNEO CONNECT

65 Series, 700 Series (=)  550, 625 kg	05.02 → 12.13			V4302	MK306					V1168		
80 Series, 900 Series (=)  725, 750, 825 kg	05.02 → 12.13			V4303	MK306					V1168		

### TRANSIT

12, 17, 22 cwt (=)  106"	65 → 08.70									V1012		
FT 909, FT 1100 FT 125, FT 130, FT 150, FT 175 (=)  3 m (118")	09.70 → 77											
FT 75, FT 100 (=)  2,69 m (106")				V2019								
FT 75, FT 100, FT 125, FT 130, FT 150, FT 175												
80, 100, 120 (=)  2,69 m (106") 100 L, 130, 160, 190 (=)  3 m (118")	78 → 85			V2019								
100, 120 (=)  2,69 m (106") 100 L, 130, 160, 190 (=)  3 m (118")	78 → 85			V2019								
 (=)  2,69 m (106") (=)  3 m (118")	09.70 → 10.85											
80, 100, 115, 120 (=)  2,82 m	11.85 → 09.91			V4401						V1070		

MC... =	MK... =	PK... =
---------	---------	---------

FORD



		OESPECTRUM	REFLEX	ORIGINAL			OESPECTRUM	REFLEX	ORIGINAL		
		RIDESENSE	ADVENTURE				RIDESENSE	ADVENTURE	LEVELING		
<b>100 L, 130, 160, 190</b> (=)  3,02 m, 3,47 m	11.85 → 09.91			<b>V1073</b>					<b>V1070</b>		
<b>80, 100, 115, 120</b> (=)  2,835m	09.91 → 08.94			<b>V4408</b>	<b>MK111</b>				<b>V2074</b>		
<b>130</b> (=)  3,570 m	09.91 → 08.94			<b>V4409</b>	<b>MK111</b>						
<b>190</b> (=)  3,570 m	09.91 → 08.94			<b>V4409</b>	<b>MK111</b>				<b>V2074</b>		
<b>100 L, 150 L, 190 L</b> (=)  3,570 m	09.91 → 08.94			<b>V4409</b>	<b>MK111</b>				<b>V2073</b>		
<b>150 S</b> (=)  2,835m	09.91 → 08.94										
<b>80, 100 S, 120</b> (=)  2,835m (=)  800kg/1200 kg	08.94 → 3.00			<b>V4408</b>	<b>MK111 PK380</b>				<b>V2074</b>		
<b>150 S</b> (=)  2,835m (=)  1500 kg	08.94 → 3.00			<b>V4408</b>	<b>MK111 PK380</b>				<b>V2073</b>		
<b>100 L, 150 L, 190 L</b> (=)  3,570 m (=)  1000 kg, 1500 kg, 1900 kg	08.94 → 03.00			<b>V4409</b>	<b>MK111 PK388</b>				<b>V2073</b>		
<b>130</b> (=)  3,570 m (=)  1300 kg	08.94 → 03.00			<b>V4409</b>	<b>MK111 PK380</b>						
<b>190, 190 EF</b> (=)  3,570 m (=)  1900 kg	8.94 → 3.00			<b>V4409</b>	<b>MK111 PK380</b>				<b>V2074</b>		

**TRANSIT**

<b>260, 280, 300, 330, 350</b> (=)	01.00 → 06.06			<b>V4502</b>	<b>MK201 PK189</b>				<b>V1146</b>		
<b>260, 280, 300, 330, 350</b> (=)	01.00 → 06.06			<b>V4502</b>	<b>MK201 PK189</b>				<b>V1145</b>		
<b>260, 280, 300, 330, 350</b> (=)	01.00 → 06.06			<b>V4502</b>	<b>MK201 PK189</b>				<b>V1147</b>		
<b>350 E</b> (-) 3,2 L Engine	07.06 → 08.14			<b>V4509</b>	<b>MK318 PK293</b>				<b>V1181</b>		
<b>260 S, 280 M, 280 S, 300 M, 300 S, 330 L, 330 M, 330 S, 350 L, 350 M</b> (=) (-) 3,2 L Engine	07.06 → 08.14			<b>V4508</b>	<b>MK318 PK293</b>				<b>V1179</b>		
<b>300 M, 300 S, 330 L, 330 M, 330 S, 350 E, 350 L</b> (=) (-) 3,2 L Engine	07.06 → 08.14			<b>V4508</b>	<b>MK318 PK293</b>				<b>V1180</b>		
<b>350 L Floor Cabin</b> (=) (-) 3,2 L Engine	07.06 → 08.14			<b>V4509</b>	<b>MK318 PK293</b>				<b>V1179</b>		
<b>300 L, 300 M, 330 L, 330 M, 350 E, 350 L, 350 M</b> (=) (-) 3,2 L Engine	07.06 → 08.14			<b>V4509</b>	<b>MK318 PK293</b>				<b>V1147</b>		

MC... =      MK... =      PK... =



	OESPECTRUM	REFLEX	ORIGINAL			OESPECTRUM	REFLEX	ORIGINAL		
	RIDESENSE	ADVENTURE				RIDESENSE	ADVENTURE	LEVELING		

300 S, 330 S, 430 E (=) (-) 3,2 L Engine	07.06 → 08.14			V4509	MK318 PK293				V1181		
350 L (=)	07.06 → 08.14			V4509	MK318 PK293				V1181		
300 M, 300 S, 330 L, 330 M, 330 S, 350 E, 350 L, 350 M, 430 E, 430 L, 430 M (=) (-) 3,2 L Engine	07.06 → 08.14			V4509	MK318 PK293				V1181		

**TRANSIT CONNECT**

65 Series, 700 Series (=)  550, 625 kg	05.02 → 12.13			V4302	MK306				V1168		
80 Series, 900 Series (=)  725, 750, 825 kg	05.02 → 12.13			V4303	MK306				V1168		

**FORD US**

**MUSTANG, MUSTANG II 2**

 (-) GT, Cobra	94 → 04	71962					5968ST				
GT, Cobra	94 → 04						5968ST				

**PROBE**

GL & LX (-) PRC (Progr. Ride Contr.)	89 → 92			11545	MC112				11546	MC112	
	93 → 97			11738 	MC112					MC112	
				11739 							

**FORD TRUCK US**

**AEROSTAR Mini Van** (4 x 2)

	86 → 97	37058									
--	---------	-------	--	--	--	--	--	--	--	--	--

**BRONCO / FULL SIZE**

	78 → 79								34958		
--	---------	--	--	--	--	--	--	--	-------	--	--

**BRONCO II**

	83 → 09.89								34963 148		
	90 →	37015							34963 148		

**ESCAPE/MAVERICK**

2.0, 2.3, 3.0	01 →	71593 					37217				
		71594 									

MC... =      MK... =      PK... =

FORD TRUCK

FORD TRUCK US



	OESPECTRUM	REFLEX	ORIGINAL			OESPECTRUM	REFLEX	ORIGINAL		
	RIDESENSE	ADVENTURE				RIDESENSE	ADVENTURE	LEVELING		

**EXPLORER**

	91→ 11.94	<b>37015</b>							<b>37035</b>						
(=) (4 x 2)	95→ 01								<b>37035</b>						
(=) (4 x 4)															
(-) Automatic Ride Control															
	02→ 03						<b>71321</b>								
	04→ 05						<b>71398ST</b>								

**EXPLORER SPORT**

	01→ 03								<b>37035</b>						
--	--------	--	--	--	--	--	--	--	--------------	--	--	--	--	--	--

**EXPLORER SPORT TRAC**

(=) (4 x 2)	01→ 04								<b>37035</b>						
(=) (4 x 4)	01→ 06														

**GMC TRUCK**

**G MODELS (incl. Rally, Vandura) 1/2 Ton**

<b>G 1500 Series</b> (=) † †	70						<b>34839</b>								
<b>G 1500 Series</b>	71→ 77														
<b>G 1500 Series</b> (=) I Beam Suspension	70→														
<b>G 1500 Series</b>	78→ 95						<b>34839</b>								

**G MODELS (incl. Rally, Vandura) 3/4 Ton**

<b>G 2500 Series</b> (=) † † (+/-) HD	70→						<b>34839</b>								
<b>G 2500 Series</b> (+/-) HD	71→ 77														
<b>G 2500 Series</b> (=) I Beam Suspension	70→														
<b>G 2500 Series</b> (+/-) HD	78→ 95						<b>34839</b>								

**G MODELS (incl. Rally, Vandura) 1 Ton**

<b>G 3500 Series</b> (-) Chopped Van	70→ 77						<b>34839</b>								
<b>G 3500 Series</b> (=)  Chopped Van	75→ 95						<b>34839</b>								
<b>G 3500 Series</b> (-) Chopped Van	92→ 95														
<b>G 3500 Series</b> (-) Chopped Van	78→ 91						<b>34839</b>								

**YUKON** 4

(=) (4 x 2) (=) (4 x 4)  (=) AWD (-) Denali (-) Z 55 Autoride Suspension ZW 7 Premium Smooth Ride Susp. (Nivomat)	09.00→ 09.06						<b>911178MM</b>								
									<b>911166MM</b>						

MC... =	MK... =	PK... =
---------	---------	---------





HONDA

	OESPECTRUM	REFLEX	ORIGINAL			OESPECTRUM	REFLEX	ORIGINAL		
	RIDESENSE	ADVENTURE				RIDESENSE	ADVENTURE	LEVELING		

(=) (4 x 4) 00→										
(=) AWD (+) ZW 7 Premium Smooth Ride Susp. (Nivomat) (-) Z 55 Autoride Suspension		911178MM								

**YUKON XL** 1/2 Ton

<b>1500 Series</b> 09.00→09.06										
(=) (AWD) (-) Denali (-) Z 55 Autoride Suspension (-) ZW 7 Premium Smooth Ride Susp. (Nivomat)		911178MM					911166MM			OIO
<b>1500 Series</b> 09.00→09.06										
(=) (AWD) (+) ZW 7 Premium Smooth Ride Susp. (Nivomat) (-) Z 55 Autoride Suspension		911178MM								

**HANOMAG HENSCHEL COMMERCIALS**

**F SERIES**

<b>F 40, F 46</b> 71→ 75				V2017				V2017		OIO
--------------------------	--	--	--	-------	--	--	--	-------	--	-----

**HILLMAN**

**MINX**

1.67→10.70								R1004		OIO
------------	--	--	--	--	--	--	--	-------	--	-----

**HONDA**

**ACCORD/VIGOR**

<b>Type CA 4, CA 5</b> 06.85→ 89				R3740						
<b>1800</b> CB 1 90→ 93				23765	MK129				MK226	
<b>2000</b> CB 3										
<b>2200</b> CB 7 - 4 WS										
<b>2.0</b> CC 7 93→01.96				23794	MK129			23795	MK226	
<b>2.0 16 V</b> CC 1 92→ 93										
<b>1800</b> CC 7, CE 7 01.96→ 98				23863	MK129			23862	MK226	
<b>2000</b> CC 7, CE 8										
<b>2.2 V Tec</b> CE 9				23864						
<b>1.6</b> CG 7				G23940	MK129			23941	MK129	
<b>1.8</b> CG 8										
<b>2.0</b> CG 9										
<b>2.0 D</b> CH 2										
(-) Type -R 99→ 02										

**ACCORD/VIGOR**

<b>2.0 16 V</b> CC 1 92→ 93				23794	MK129			23795		
<b>2.0</b> CG 4 10.98→ 02								E1265 <sup>1</sup>		
<b>2.3 VTi</b> CG 3 10.98→ 02										
(-) 3.0 V 6										

MC... =      MK... =      PK... =

HONDA



<b>MONROE</b>	OESPECTRUM	REFLEX	ORIGINAL			OESPECTRUM	REFLEX	ORIGINAL		
	RIDESENSE	ADVENTURE				RIDESENSE	ADVENTURE	LEVELING		

**ACCORD/VIGOR**

Type CA 4, CA 5, Aerodeck	06.85 → 89			R3740							
Type CB 8	91 → 93			23765	MK129						

**ACCORD VII**

2.0, 2.4, 2.2 D (=) (4 x 2) (+/-)	03 → 09	376167SP	E1349 <sup>1</sup>		MK129 PK336		376131SP	E1347 <sup>1</sup>		MK129 PK294	
---	---------	----------	--------------------	--	----------------	--	----------	--------------------	--	----------------	--

**ACCORD VII**

2.0, 2.4, 2.2 D (+/-)	03 → 09	376167SP	E1349 <sup>1</sup>		MK129 PK336		376207SP	E1348 <sup>1</sup>		MK129 PK294	
--------------------------	---------	----------	--------------------	--	----------------	--	----------	--------------------	--	----------------	--

**ACCORD VIII**

2.0, 2.4, 2.2 D	09 →	72562ST			MK129		72563ST			MK129	
-----------------	------	---------	--	--	-------	--	---------	--	--	-------	--

**ACCORD IX**

2.4 iVtec, 3.5 iVtec	09.12 →	72970ST 					72984ST				
		72971ST 									

**CIVIC/BALLADE**

1200 AL, AM 1300 AG, AJ 1500 AH, AK	84 → 08.87			11072	!5 PK065				R3729		
1200 EC 7, ED 1 1300 EC 8 1400 EC 9, ED 2 1500 ED 6, ED 3 1600 ED 7, ED 4	09.87 → 01.89			23747	MK129				23748	MK129	
ch.no. ...S000001 → ...S100001											
1200 EC 7, ED 1 1300 EC 8 1400 EC 9, ED 2 1500 ED 6, ED 3 1600 ED 7, ED 4	01.89 → 91				MK129				23760	MK129	
ch.no. ...S100001 →											
1300 EG 3 1500 EG 4, EG 8 1600 EG 5, EG 6 1600 EG 9, EH 9	10.91 → 11.95			23787 	MK129				23859	MK129	
2 , 4				23788 							
1300 EG 3 1500 EG 4, EG 8 1600 EG 5, EG 6 1600 EG 9, EH 9	10.91 → 11.95			23787 	MK129				23748	MK129	
2 , 4				23788 							
1400 MA 8, MB 2 1500 MA 9, MB 3 1600 MB 1, MB 4 1800 MB 6	95 → 01			23787 	MK129				23826	MK345 PK179	
5				23788 							
1.4i EJ 9 1.5iLS EK 3 1.6iSR EK 1 1.6 VTi EK 4	96 → 01	376180SP	E1181 <sup>1</sup>	23858	MK129		376185SP	E1182 <sup>1</sup>	23859	MK345	
3 , 4											

MC... =      MK... =      PK... =



	OESPECTRUM	REFLEX	ORIGINAL			OESPECTRUM	REFLEX	ORIGINAL		
	RIDESENSE	ADVENTURE				RIDESENSE	ADVENTURE	LEVELING		

2.0i TD MB 7 5	97→ 01			23942	MK129				23944	MK345 PK179	
				23943							

### CIVIC/BALLADE 2 94→ 01

1500 1600	EJ 1 EJ 2	94→ 96			23787 23788	MK129			23859	MK129		
1.6iLS GLi 1.6iSR VTi	EJ 6 EJ 6 EJ 8 EJ 8	96→ 01	376180SP	E1181 <sup>1</sup>	23858	MK129		376185SP	E1182 <sup>1</sup>	23859	MK345	
(-) EX (EJ 7)												
1.6 VTi VTi	EM 1 EM 1	99→ 01	376180SP	E1181 <sup>1</sup>	23858	MK129		376185SP	E1182 <sup>1</sup>	23859	MK345	
(-) EX (EJ 7)												

### CIVIC CRX/BALLADE CRX 84→ 01

1500 CRX AF 1600 CRX AS		84→ 87			11072	<sup>15</sup> PK065				R3729		
1600 CRX ED 9 <small>ch.no. ...S000001→ ...S100001</small>		88			23747	MK129				23748	MK129	
1400 CRX EE 6 <small>ch.no. ...S200001 →</small>		90→ 92				MK129				23760	MK129	
1600 CRX ED 9 DOHC <small>ch.no. JHMED93700 S100001 →</small>		89→ 92				MK129				23748	MK129	
1600 CRX ED 9 SOHC <small>ch.no. JHMED93600 S100001 →</small>		89→ 92				MK129				23748	MK129	
1600 CRX ESi EH 6 1600 CRX VTi EG 2		92→ 01			23787 23788	MK129				23859		

### CIVIC/BALLADE

1300		80→ 83								R1014	
------	--	--------	--	--	--	--	--	--	--	-------	--

### CIVIC

Aerodeck 1.4i, 1.4iS, 1.4iSR 1.5i, 1.5iLS 1.6iSR, 1.6iLS, 1.6iES 1.8 VTi 2.0 TD, 2.0i TDS, 2.0i TDi, 2.0i TDLS		98→ 01		E1171 <sup>1</sup> (E1171R E1172L)	23787 23788					23944	PK179	
--	--	--------	--	--	----------------	--	--	--	--	-------	-------	--

### CIVIC 3 01→ 06

1.4, 1.5, 1.6 (-)		01→ 06			16471 16472	MC114 PK106				23971	MK129 PK107	
2.0, 1.7 D (-)		01→ 06			16473 16474	MC116 PK106				23971	MK129 PK107	

MC... =

MK... =

PK... =



<b>MONROE</b>	OESPECTRUM	REFLEX	ORIGINAL			OESPECTRUM	REFLEX	ORIGINAL		
	RIDESENSE	ADVENTURE				RIDESENSE	ADVENTURE	LEVELING		

**CIVIC** 5 01 → 06

1.4, 1.5, 1.6	01 → 06			16471	MC114 PK106				23970	MK129 PK107	
				16472							
1.7 D	01 → 06			16473	MC116 PK106				23970	MK129 PK107	
				16474							

**CIVIC** 01 → 06

1.4, 1.5, 1.6	01 → 02			16471	MC114 PK106				23971	MK129 PK107	
				16472							

**CIVIC** 2 01 → 06

1.6i, 1.7i, 1.7 VTEC	01 → 02			16471	MC114				23971	MK127	
				16472							

**CIVIC** 06 → 11

1.4, 1.6, 1.8, 2.0, 2.2 CTDi (-) Type R	06 → 11			G8169	MK354 PK098				G1098		
				G8170							

**CIVIC** 06 → 12

1.6, 1.8, 1.3 Hybride	06 → 12			72286ST					5609ST		
				72287ST							

**CIVIC**

1.4 iVtec, 1.8 iVtec, 1.6 iDTEC, 2.2 iDTEC (-)	12 →								G1098		
--	------	--	--	--	--	--	--	--	-------	--	--

**CIVIC**

1.4 iVtec, 1.8 iVtec, 1.6 iDTEC, 2.2 iDTEC	12 →			G7473					5609ST		
				G7474							

**CONCERTO**

1.4, 4.5, 1.6, 1.8 TD	10.89 → 10.96								23826		
--------------------------	---------------	--	--	--	--	--	--	--	-------	--	--

**CR-V I** (4 x 4)

2.0 (RD 1)	97 → 02		D7005		MK129			D7006		MK129	
------------	---------	--	-------	--	-------	--	--	-------	--	-------	--

**CR-V II**

2.0	02 → 04			72143ST	MK220R MK221L				71380		MK129	
				72144ST								
2.0, 2.2 CTDi	05 → 06								71380		MK129	

MC... =      MK... =      PK... =



	OESPECTRUM	REFLEX	ORIGINAL			OESPECTRUM	REFLEX	ORIGINAL		
	RIDESENSE	ADVENTURE				RIDESENSE	ADVENTURE	LEVELING		

### CR-V III

2.0, 2.4, 2.2 D (+/-) Xeon Headlights	10.06 → 06.12	72491ST 			MK360			72643ST		MK129	
		72492ST 									

### CR-V IV

2.0 iVtec, 2.2 i-Dtec (+/-) (4x4)	10.12 →	72491ST 						72957ST			
		72492ST 									

### HR-V

1.6 (GH 1) (=) (4 x 2)	02.99 → 09.05		D0007 (D0007R D0008L)					D7001			
1.6 (GH 2) (=) (4 x 4)											

### INTEGRA/QUINT

	10.85 → 11.89			11072				R3729			
--	---------------	--	--	-------	--	--	--	-------	--	--	--

### JAZZ III/FIT (GD)

1.2, 1.4, 1.5, 1.3 DSi	01.02 → 04			G7271 	MK336 PK155			23968			
				G7272 							
1.2, 1.4, 1.5	04 → 07.08			G7275 	MK336 PK155			23968			
				G7276 							

### JAZZ III/FIT (GE)/CITY

1.2 iVtec. 1.3 iVtec. 1.4 iVtec. 1.5 iVtec (=) (4 x 2)	07.08 → 12.15			G7415 	MK336 PK155			G1138			
				G7416 							

### PRELUDE

Type BA (-) 4 WS	88 → 92			R3740	MK129					MK172	
Type BB 1, Type BB 2, Type BB 3	92 → 97										
2.0 Type BB 9 2.2 Si Type BB 5 2.2 VTI Type BB 6 2.2 VTI-R Type BB 6 2.2 VTI-4 WS Type BB 8	97 → 00				MK129			23804		MK226	

### SHUTTLE/ODYSSEY

Type RA 1, RA 3	03.95 → 06.02			23874 				23871			
				23875 							

### STREAM

1.7, 2.0	06.01 → 09.06		E4634 <sup>1</sup> (E4634R E4635L)	G8434 	MC114			E1324 <sup>1</sup>	G1262		
				G8435 							

MC... =      MK... =      PK... =

HONDA



<b>MONROE</b>	OESPECTRUM	REFLEX	ORIGINAL			OESPECTRUM	REFLEX	ORIGINAL		
	RIDESENSE	ADVENTURE				RIDESENSE	ADVENTURE	LEVELING		

# HUMBER

## SCEPTRE

MK III	74 → 76							R1004	
--------	---------	--	--	--	--	--	--	-------	--

# HYUNDAI

## ACCENT/EXCEL/PONY/VERNA

	07.94 → 05.97			11236	MC212 MK209 PK143				10049	MC212 MK222 PK008	
				(-) HD					(-) SP		
	06.97 → 09.99			11236	MC212 MK209 PK144			E4036 <sup>1</sup> (E4036R E4037L)	G15060	MC212 MK222 PK143	
				(-) HD					(-) SP		
	10.99 → 05		E4729 <sup>1</sup> (E4729R E4730L)	11339	MC212 MK210			E4036 <sup>1</sup> (E4036R E4037L)	G15060	MC212	
									11340		

## ACCENT/VERNA

1.4, 1.6, 1.5 D	05 → 10.10	72297			MK001 MK337 !79 PK183				5621ST		PK297	
		72298										
1.4, 1.6, 1.6 D	11.10 →			G7421						G2223		
				G7422								

**!79**

MK001, MK202, MK342, MK343, MK344, MK345, MK346, MK347 =   
 MK149, MK208, MK263R, MK264L, MK271, MK321, MK322, MK376 =   
 MK067, MK068, MK077, MK156, MK194, MK326, MK332, MK334R, MK335L, MK337, MK372 = +

## ATOS/AMICA/SANTRO

0.8 (-)	11.97 → 10.98				MC212 MK266 PK182				G22709		
0.8, 1.0, 1.1	10.98 → 08.08			G16312	MC212 MK267 PK182				G22709		
				G16313							

## ATOS PRIME/AMICA

1.0, 1.1	09.99 → 12.10			G16312	MC212 MK267 PK182				G22709		
			G16313								

MC... =      MK... =      PK... =



	OESPECTRUM	REFLEX	ORIGINAL			OESPECTRUM	REFLEX	ORIGINAL		
	RIDESENSE	ADVENTURE				RIDESENSE	ADVENTURE	LEVELING		

## COUPE/TIBURON (RD). (GK)

1.6, 2.0 (RD)	08.96 → 04.02			16244	MC212 MK227				G16248	MC212 MK211R MK212L	
				16245					G16249		
1.6, 2.0, 2.7 (GK)	02.02 → 12.10			G7380	MK001				G7382		
				G7381					G7383		

## ELANTRA

1.6, 1.8	01.11 → 08.15			G7403					G2229		
				G7404							

## GALLOPER

	11.97 → 06.03		D8492						D8493		
--	---------------	--	-------	--	--	--	--	--	-------	--	--

## GETZ

1.1, 1.3, 1.4, 1.6, 1.5 TCi, 1.5 CRDi	09.02 → 12.11			R7613	MK210 PK183				G21659		
				R7614							

## GRANDEUR

2.7, 3.3, 2.2 CRDi	6.05 → 12.11				MK338						
-----------------------	--------------	--	--	--	-------	--	--	--	--	--	--

## H1 (TQ)

	09.07 → 10.13			V4306					V2158		
				V4307							

## H100, PORTER

FD Series 2.4, 2.5 D, 2.5 TD, 2.6 D	07.93 → 10.03			V1114					V1115		
--	---------------	--	--	-------	--	--	--	--	-------	--	--

## H100, PORTER

FD Series 2.4, 2.5 D, 2.6 TD	05.96 → 10.01			V1184					V1186		
(-) 1.25 T											
FD Series 2.4, 2.5 D, 2.6 TD	05.96 → 10.01			V1185					V1187		
(=) 1.25 T											

## H200/H1

	06.97 → 08.07			V1143					V1149		
--	---------------	--	--	-------	--	--	--	--	-------	--	--

## i10 (BA)

1.0, 1.1, 1.2, 1.1 LPG, 1.2 LPG, 1.1 CRDi	01.08 → 12.13			G7023	MC212 PK337				G1111		
				G7024							
1.0, 1.2, 1.0 LPG	12.13 →								G1102		

MC... =

MK... =

PK... =



<b>MONROE</b>	OESPECTRUM	REFLEX	ORIGINAL			OESPECTRUM	REFLEX	ORIGINAL		
	RIDESENSE	ADVENTURE				RIDESENSE	ADVENTURE	LEVELING		

**i20**

1.2, 1.4, 1.6, 1.1 CRDi, 1.4 CRDi, 1.6 CRDi	12.08→03.12			G7115 	MK405 PK369				G2223	
				G7116 						
1.2, 1.4, 1.6, 1.1 CRDi, 1.4 CRDi, 1.6 CRDi	04.12→08.14			G7117 	MK405 PK369				G2223	PK381 
				G7118 						

**i30**

1.4, 1.6, 2.0, 1.6 CRDi, 2.0 CRDi <small>ch.no. KMH</small> (=) Orig. (KR)	06.07→12.12			G7338 	MK001 MK332 <b>!79</b> PK295				G1094	
				G7339 						
1.4, 1.6, 2.0, 1.6 CRDi, 2.0 CRDi <small>ch.no. TMA</small> (=) Orig. (CZ)	10.08→12.12								G1094	
1.4, 1.4 CRDi, 1.6 CRDi, 1.6 GDi	06.11→			G8216 					G1094	
				G8217 						

**!79**

MK001, MK202, MK342, MK343, MK344, MK345, MK346, MK347 =

MK149, MK208, MK263R, MK264L, MK271, MK321, MK322, MK376 =

MK067, MK068, MK077, MK156, MK194, MK326, MK332, MK334R, MK335L, MK337, MK372 = +

**i40 (VF)**

1.6, 2.0, 1.7 CRDi (-)	07.11→			G8331 					5646ST	
				G8332 						

**iX20 (JC)**

1.4, 1.4 LPG, 1.6 LPG, 1.4 CRDi, 1.6 CRDi	11.10→			G7703 					G2223	
				G7704 						

**iX35**

1.6, 2.0, 1.7 CRDi, 2.0 CRDi (=) (4 x 2)	08.09→12.15			G8176 	MK408 PK368				G1148	
				G8177 						
1.6, 2.0, 1.7 CRDi, 2.0 CRDi (=) (4 x 4)	08.09→12.15			G8176 	MK408				G1150	
				G8177 						

**LANTRA, ELANTRA, AVANTE**

Type J 1	10.90→11.95			G16555	MC212 MK109				R3758	
Type J 2	11.95→05.00			16244 	MC212 MK227 PK143				G16248 	
				16245 						

MC... =      MK... =      PK... =





	OESPECTRUM	REFLEX	ORIGINAL			OESPECTRUM	REFLEX	ORIGINAL		
	RIDESENSE	ADVENTURE				RIDESENSE	ADVENTURE	LEVELING		

1.6, 1.8, 2.0, 2.0 D Type XD	08.00 → 06		G16351	MC212 MK227 PK183		71406ST			MK211R MK212L	
			G16352			71407ST				
1.6, 2.0, 2.0 D	06 → 10		72305ST	MK332		5622ST				
			72306ST							

**MATRIX**

1.5, 1.6, 1.8, 1.5 CRDi	05.01 → 09.04		16361	MC212 MK227 PK346					MK211R MK212L	
			16362							
1.5, 1.6, 1.8, 1.5 CRDi	09.04 → 08.10		16361	MC212					MK211R MK212L	
			16362							

**PONY, EXCEL**

1200, 1400	77 → 84							R1014		
1300, 1500 Excel ch.no. KMHL...	08.85 → 07.89		MR977	<b>!10</b>				23442		
1.2, 1.3, 1.4, 1.5 ch.no. KMHV...	08.89 → 06.94		11167	MC212 MK230 PK073				23442		

**PONY**

	05.76 → 12.85							R1014		
--	---------------	--	--	--	--	--	--	-------	--	--

**SANTA FE (SM)**

	11.00 → 10.05	71435	MK213 PK344			D8020		MK316 PK296	
		71436							

**SANTA FE (CM)**

	11.05 → 06.09		G8150	MK304 PK160				G2122	
(-)			G8151						
	06.09 → 05.13		G8406					G2122	
(-)			G8407						

**SANTA FE (DM)**

2.4, 2.0 D, 2.4 D (=) (4x2)	08.12 →		G8218					G2227	
			G8219						
2.4, 2.0 D, 2.4 D (=) (4x4)	08.12 →		G8218					G2228	
			G8219						

MC... =      MK... =      PK... =

HYUNDAI



<b>MONROE</b>	OESPECTRUM	REFLEX	ORIGINAL			OESPECTRUM	REFLEX	ORIGINAL		
	RIDESENSE	ADVENTURE				RIDESENSE	ADVENTURE	LEVELING		

**SATELLITE/H 1/STAREX** (4 x 2)

SWB 7 Seater SWB 9 Seater	06.97→12.07			V1143				V1144	
(=)									
LWB 9 Seater	06.97→12.07			V1143				V1149	
(=)									

**SCOUPE**

	03.90→04.96			11167	MC212 MK230 PK073			23442	
--	-------------	--	--	-------	-------------------------	--	--	-------	--

**SOLARIS**

1.4, 1.6	11.10→			G7419 				G2223	
				G7420 					

**SONATA II/MARCIA (Y-3)**

1.8, 2.0, 2.4, 3.0 ch.no. KMHDF... ch.no. KMHCF...	06.93→06.98			16734	MC212 MK214			23810	MK281	
--	-------------	--	--	-------	----------------	--	--	-------	-------	--

**SONATA III/SONICA (EF)**

2.0, 2.4, 2.5 ch.no. KMHEM... ch.no. KMHEN...	06.98→04.00	71599			MK215			23961		
2.0, 2.4, 2.5 ch.no. KMHEM... ch.no. KMHEN...	04.00→04.01	71599			MK215		71326		MK215	
2.0, 2.7 ch.no. KMHEM... ch.no. KMHEN...	04.01→12.05	71417			MK215		71326		MK215	

**SONATA V (NF)**

2.4, 3.3, 2.0D	05.05→12.10			G9503	MK338 PK347			G2134		
-------------------	-------------	--	--	-------	----------------	--	--	-------	--	--

**SONATA VI (YF)**

2.0, 2.4	06.09→12.14						5646ST			
----------	-------------	--	--	--	--	--	--------	--	--	--

**STELLAR**

1.4, 1.6, 2.0	09.83→12.91							R1568		
---------------	-------------	--	--	--	--	--	--	-------	--	--

**TERRACAN**

3.5 V6, 2.9 CRDi	06.01→12.07		D8014					D8015		
---------------------	-------------	--	-------	--	--	--	--	-------	--	--

**TRAJET**

2.0, 2.7 V6, 2.0 CRDi	09.99→07.08			G8093 	PK344			23974	
				G8094 					

**TUCSON I (JM)**

2.0, 2.7, 2.0 CRDi	06.04→03.10	72219ST 			MC114 MK213 PK160		72221 		MC114 MK211R MK212L PK160	
		72220ST 					72222 			

MC... =      MK... =      PK... =



	OESPECTRUM	REFLEX	ORIGINAL			OESPECTRUM	REFLEX	ORIGINAL		
	RIDESENSE	ADVENTURE				RIDESENSE	ADVENTURE	LEVELING		

**XG/GRANDEUR**

XG 25, XG 30	12.98 → 04.00	71599							23961		
XG 25, XG 30	04.00 → 11.02	71599					71326				
XG 25, XG 30	11.02 → 03.05	71364ST					71326				

**INFINITI****FX**

FX35, FX45 (-)	01.03 → 12.08	72369ST 					37312ST				
		72370ST 									

**INNOCENTI****90, 120, MINI**

1.0, 1.3 (+/-) De Tomaso (-) 3 Cyl.	06.74 → 02.86			R2045					R1531		
---	---------------	--	--	-------	--	--	--	--	-------	--	--

**MILLE**

1000 SPI	94 → 95			11152	MC110						
1.7 D	94 → 95			11108	MC110						

**MILLE CLIP**

1.0, 1.4, 1.7 D	11.94 → 02.98								R1608		
--------------------	---------------	--	--	--	--	--	--	--	-------	--	--

**ISUZU****D-MAX, RODEO**

2.5 D 57, 74, 85, 100, 120 kW	06.03 → 06.12										
3.0 D 120 kW (=) (4 x 2) (+) , (+) (-) Hi-Lander, High Ride			D9009					D9011			
2.5 D Hi-Lander, High Ride 57, 85, 100, 120 kW	06.03 → 06.12										
3.0 D Hi-Lander, High Ride 120 kW (=) (4 x 2) (+)			D9008					D9010			
2.5 85, 100 kW 3.0 100, 120 kW (=) (4 x 4) (+)	06.03 → 06.12			32336MM				D9010			

MC... =

MK... =

PK... =



	OESPECTRUM	REFLEX	ORIGINAL			OESPECTRUM	REFLEX	ORIGINAL		
	RIDESENSE	ADVENTURE				RIDESENSE	ADVENTURE	LEVELING		

**D-MAX (8DH)**

2.5 D (=) (4 x 2) (-) HD (-)	04.12→		D7030					D7031			
2.5 D (=) (4 x 4) (-) HD (-)	04.12→		D7032					D7033			

**FLORIAN 117**

PA 10, PA 20 PA 20 V PA 30, PA 90, PA 95	04.67→12.75 04.67→03.83		V1063								
--	----------------------------	--	-------	--	--	--	--	--	--	--	--

**GEMINI**

PF 50 PF 60	06.74→09.84		G22609					R1566			
----------------	-------------	--	--------	--	--	--	--	-------	--	--	--

**LIGHT ELF**

KA 20, KA 40, KA 50	08.67→06.75							R1000			
---------------------	-------------	--	--	--	--	--	--	-------	--	--	--

**MIDI**

WFR Series (=) (4 x 2)	80→ 89		V1038					V1012			
WSF Series (=) (4 x 4)	11.83→ 89							V1012			

**NKR** (4 x 2)

4HF1 & 4BE1	94→ 12		V1193					V1194			
-------------	--------	--	-------	--	--	--	--	-------	--	--	--

**NPR** (4 x 2)

4HF1	94→ 12		V1160								
------	--------	--	-------	--	--	--	--	--	--	--	--

**NPR77** (4 x 2)

P35.04LE	10.03→12.07							V1196			
----------	-------------	--	--	--	--	--	--	-------	--	--	--

**PICK UP**

KB 2, KBD 2 Series (=) (4 x 2)	80→07.86										
KB 4, KBD 4 Series (=) (4 x 4) (=) , (=)	80→		D2113					D8004			
KB 2, KBD 2 Series (=) (4 x 2) (=) , (=)	08.86→							D8004			
TFR Series (=) (4 x 2)	04.88→ 00		V1087					V1088			
TFS Series (=) (4 x 4)	04.88→ 96		V1053					V1088			

MC... =      MK... =      PK... =



	OESPECTRUM	REFLEX	ORIGINAL			OESPECTRUM	REFLEX	ORIGINAL		
	RIDESENSE	ADVENTURE				RIDESENSE	ADVENTURE	LEVELING		

**TROOPER**

<b>UBS Series</b> (=) (4 x 4) (=)	07.81 → 10.86		<b>D2113</b>					<b>D8004</b>			
<b>UBS Series</b> (=) (4 x 4) (=)	11.86 → 07.91		<b>D5464</b>					<b>D4464</b>			
	08.91 → 08.04		<b>D5473</b>					<b>D4479</b>			

**IVECO COMMERCIALS**

**DAILY I**

<b>30-8, 35-8, 35-10, 40-8, 40-10, 45-10, 49-10</b>	01.78 → 12.89		<b>V1055</b>	Orig. no 8587219				<b>V1056</b>	Orig. no 4829235 8586273 93800199 93804339		
			<b>V1079</b>	4829233 93803675 93803892							

**DAILY II**

<b>30-8, 35-8, 35-10, 40-8</b> (=)	01.89 → 05.99		<b>V1102</b>	Orig. no 4829234 8574216 93826662				<b>V1103</b>	Orig. no 4835372 4835373 4835375 4850528		
<b>35.8, 35.10, 40.10</b> (=) ch.no. 5973717 →	01.89 → 05.99		<b>V1102</b>	4829234 8574216 93826662				<b>V2110</b>	93826664 98449030		

**DAILY III (4 x 2)**

<b>35C12, 35C13, 35C14, 35C15</b> (=)	07.99 → 12.06		<b>V1197</b>	Orig. no 504110593 504118348 504195995 504198992 5801345771 5801345780				<b>V2151</b>	Orig. no 504170986		
<b>40C14, 40C15</b> (=)	07.99 → 12.06							<b>V2151</b>	504170986		
<b>50C14, 50C15</b> (=)	07.99 → 12.06										
<b>65C14, 65C15</b> (=)	07.99 → 12.06							<b>V2152</b>	504190986		

**DAILY III (4 x 2)**

<b>35C15</b> (=)	07.99 → 12.06							<b>V2151</b>	Orig. no 504170986		
---------------------	---------------	--	--	--	--	--	--	--------------	-----------------------	--	--

**DAILY III (4 x 2)**

<b>29L10, 29L12, 29L14 35C9, 35C10, 35C11, 35C17</b>	07.99 → 12.06		<b>V1195</b>	Orig. no 504051656 5801345779				<b>V2152</b>	Orig. no 504190986		
<b>35C12, 35C13, 35C14, 35C15</b> (=)	07.99 → 12.06		<b>V1195</b>	504051656 5801345779				<b>V2151</b>	504170986		
<b>40C14, 40C15 50C14, 50C15</b> (=)	07.99 → 12.06							<b>V2151</b>	504170986		
<b>65C14, 65C15</b> (=)	07.99 → 12.06							<b>V2152</b>	504190986		

MC... =      MK... =      PK... =

IVECO



	OESPECTRUM	REFLEX	ORIGINAL			OESPECTRUM	REFLEX	ORIGINAL		
	RIDESENSE	ADVENTURE				RIDESENSE	ADVENTURE	LEVELING		

**DAILY IV** (4 x 2)

29L10, 29L12, 29L14 06.06 → 08.11										
35C10, 35C11, 35C12, 35C13, 35C14, 35C17, 35C18 35S10, 35S11, 35S12, 35S13, 35S14, 35S17, 35S18 05.06 → 08.11			V1197	Orig. no 504110593 504118348 504195995 504198992 5801345771 5801345780	OIO		V1191	Orig. no 504118330 5801345772	OIO	
29L10, 29L12, 29L14 35S10, 35S11, 35S12, 35S13, 35S14, 35S17 (=)	05.06 → 08.11						V2135	2997280 500368633 500368634 500376000 500376001 500376002 500389135 500389838 500389841 500392353 500392553 504039594 504043881 504064549 504064551 5801345778	OIO	
35C12, 35C13, 35C14, 35C17, 35C18 40C12, 40C13, 40C14, 40C15, 40C17, 40C18 50C14, 50C15, 50C17, 50C18 (=)	05.06 → 08.11						V2151	504170986	OIO	
60C15, 60C17 65C14, 65C15, 65C17, 65C18 70C14, 70C17 (=) (4x2) (=)	05.06 → 08.11						V2152	504190986	OIO	

**DAILY IV** (4 x 2)

35C12, 35C13, 35C14, 35C17, 35C18 40C14, 40C17 50C14, 50C15, 50C17, 50C18 (=)	05.06 → 08.11						V2151	Orig. no 504170986	OIO	
35S11, 35S12, 35S13, 35S14, 35S17, 35S18 05.06 → 08.11			V1197	Orig. no 504110593 504118348 504195995 5801345771 5801345780	OIO		V1191	504118330 5801345772	OIO	
35S11, 35S12, 35S13, 35S14, 35S17 (=)	05.06 → 08.11						V2135	2997280 500368633 500368634 500376000 500376001 500376002 500389135 500389838 500389841 500392353 500392553 504039594 504043881 504064549 504064551 5801345778	OIO	
60C15, 60C17 65C14, 65C17 70C14, 70C17 (=)	05.06 → 08.11						V2152	504190986	OIO	

**DAILY IV** (4 x 2)

29L10, 29L12, 29L14 35C11, 35C12, 35C13, 35C14 35S11, 35S12, 35S13, 35S14 05.06 → 08.11			V1197	Orig. no 504110593 504115995 504118348 504198992 5801345771 5801345780	OIO		V1191	Orig. no 504118330 5801345772	OIO	
29L10, 29L12, 29L14 05.06 → 08.11							V2135	2997280 500368633 500368634 500376000 500376001 500376002 500389135 500389838 500389841 500392353 500392553 504039594 504043881 504064549 504064551 5801345778	OIO	
35C12, 35C13, 35C14, 35C17, 35C18 =	05.06 → 08.11						V2151	204170986	OIO	

MC... =      MK... =      PK... =



	OESPECTRUM	REFLEX	ORIGINAL			OESPECTRUM	REFLEX	ORIGINAL		
	RIDESENSE	ADVENTURE				RIDESENSE	ADVENTURE			

**DAILY V (4 x 2)**

35C13, 35C14, 35C15, 35C17, 35C21 40C13, 40C15, 40C17, 40C21 50C14, 50C15, 50C17, 50C21 =	09.11→02.14							V2151	Orig. no 504170986	OIO
65C14, 65C15, 65C17, 65C21 70C14, 70C15, 70C17, 70C21 =	09.11→02.14							V2152	504190986	OIO

**DAILY VI (4 x 2)**

35C13, 35C15, 35C17, 35C21 40C15, 40C17, 40C21 50C14, 50C15, 50C17, 50C21 =	03.14→							V2151	Orig. no 504170986	OIO
65C14, 65C15, 65C17, 65C21 70C14, 70C15, 70C17, 70C21 =	02.14→							V2152	504190986	OIO

**DAILY S2000**

29 L Series, 35 S Series (=)	05.99→12.06							V1502	Orig. no 500388632 500389134 500389136 500389837 500389839 504043715 504043879	OIO	V2135	Orig. no 500389135 500389841 504043881 504064549	OIO
29 L Series, 35 S Series (=)	05.99→12.06							V1502	500388632 500389134 500389136 500389837 500389839 504043715 504043879	OIO	V2136	500378189 500378190 504043882	OIO
35 C Series, 40 C Series (=) Triangle Susp.	05.99→12.06							V1502	500388632 500389134 500389136 500389837 500389839 504043715 504043879	OIO	V2515	500388636 500389631 500389137 500388555 504043716 504043880	OIO
35 C Series, 40 C Series (=) Multi Link Susp.	05.99→12.06							V2516	500367642 500369632 504043717 504043883 504088408 504088409	OIO	V2515	500367032 500389633 504043718 504043884	OIO
50 C Series													
65 C Series	11.01→12.06							V2518	500377618 504014873	OIO	V2515	500377620 500377633	OIO

**DAILY S2000**

40 C Series, 50 C Series (=) Multi Link Susp.	05.99→12.06							V2516	Orig. no 500367642 500369632 504043717 504043883 504088408 504088409	OIO	V2515	Orig. no 500367032 500389633 504043718 504043884	OIO
--	-------------	--	--	--	--	--	--	-------	--	-----	-------	--	-----

**TURBODAILY**

30-10, 35-10, 35-12 (=) (+) , (+)	01.89→12.99			V1102	Orig. no 93826662	OIO			V1103	Orig. no 4835372 4835373 4835375 4850528	OIO
				V1055	8587219						
35-10, 35-12, 40-10, 40-12 (=) ch.no. 5973717 → (+) , (+)	01.89→12.99			V1102	93826662	OIO			V2110	93826664 98449030	OIO
				V1055	8587219						
45-10, 45-12, 49-10, 49-12	01.89→12.99			V1055	8587219	OIO			V1103	4835372 4835373 4835375 4850528	OIO
									V2515	4854829 93826663	
59-12	01.90→12.99			V1172	98415332	OIO			V2111	98415333 98445872 98445873	OIO

MC... =      MK... =      PK... =

IVECO



	OESPECTRUM	REFLEX	ORIGINAL			OESPECTRUM	REFLEX	ORIGINAL		
	RIDESENSE	ADVENTURE				RIDESENSE	ADVENTURE	LEVELING		

# JAGUAR / DAIMLER

## E TYPE

	07.61→09.75								<b>R3350 (2X)</b>	
(-) V 12										

## S TYPE

2.5 V6, 3.0 V6, 4.0 V8, 4.2 V8	10.98→01.02	<b>376076SP</b>	E5612 <sup>1</sup>						<b>376073SP</b>	E5613 <sup>1</sup>	<b>136</b>	
--------------------------------	-------------	-----------------	--------------------	--	--	--	--	--	-----------------	--------------------	------------	--

## X TYPE

2.0 V6, 2.5 V6, 3.0 V6, 2.0 Di, 2.2 TDCi	03.01→12.09	<b>742025SP</b>	E7051 <sup>1</sup>									
--	-------------	-----------------	--------------------	--	--	--	--	--	--	--	--	--

## XJ TYPE

<b>XJ 6</b>	68→10.86											
<b>Daimler Sovereign</b>	69→84					<b>43027</b>						
<b>XJ 12 Sovereign V 12 Daimler Double-Six</b>	72→02.93										<b>43013 (2X)</b>	

## XJ TYPE (XJ40)

<b>XJ 6 Sovereign Daimler</b>	10.86→03.94											
<b>XJ 12 Daimler Double Six</b> → ch.no. 696458	03.93→03.94					<b>43067</b>				<b>G55008</b>	<b>136</b>	
(-) <input type="checkbox"/> SP												
<b>XJ 6 XJ 12 Sovereign Daimler Daimler Double Six</b> ch.no. 696459 →	04.94→11.94					<b>43067</b>					<b>136</b>	
(-) <input type="checkbox"/> SP												

## XJ TYPE (X300)

<b>XJ 6 XJ 12 Daimler Daimler Double Six</b>	09.94→09.97												
(-) XJR 4.0 SC						<b>E5044<sup>1</sup></b>	<b>G43147</b>			<b>E5606<sup>1</sup></b>	<b>G55026</b>	<b>136</b>	
(-) <input type="checkbox"/> SP													
(-)													

## XJ 8 (X308)

<b>3.2, 4.0</b>	09.97→03.03									<b>E5606<sup>1</sup></b>	<b>G55026</b>	<b>136</b>	
(-)													

## XJS, XJSC

<b>3.6, 4.0, 5.3</b>	75→03.96					<b>43027</b>					<b>43013 (2X)</b>	<b>136</b>	
----------------------	----------	--	--	--	--	--------------	--	--	--	--	-------------------	------------	--

# JEEP

## CHEROKEE

	76→83					<b>34958</b>					<b>34958</b>		
--	-------	--	--	--	--	--------------	--	--	--	--	--------------	--	--

MC... =      MK... =      PK... =





<b>MONROE</b>	OESPECTRUM	REFLEX	ORIGINAL			OESPECTRUM	REFLEX	ORIGINAL		
	RIDESENSE	ADVENTURE				RIDESENSE	ADVENTURE	LEVELING		

XJ	84→ 90	<b>37026</b>							<b>37027</b>						
XJ (-) Grand Cherokee	91→ 01	<b>37083</b>							<b>37027</b>						
KJ	01→ 07	<b>71577</b>							<b>37203</b>						
<b>Grand Cherokee</b> ZJ (-) Up Country Suspension	93→ 98	<b>37081</b>							<b>37082</b>						
<b>Grand Cherokee</b> ZJ Up Country Susp.	93→ 98		<b>D4001</b>							<b>D4002</b>					
<b>Grand Cherokee</b> WJ (-) Up Country Suspension	99→ 04	<b>37161</b>							<b>37162</b>						
<b>Grand Cherokee</b> WH/WK	05→ 12.10		<b>71377ST</b>							<b>911278MM</b>					
<b>Grand Cherokee</b> WK2 (-) SRT8 (-) (-) (-)	11.10→														
			<b>72546ST</b>						<b>911304MM</b>						

**COMANCHE (MJ Series)**

	03.86→ 09.90	<b>37026</b>													
	10.90→ 10.92	<b>37083</b>													

**COMPASS**

	07→	<b>72367ST</b> 							<b>72401ST</b>						
		<b>72368ST</b> 													

**LIBERTY**

KJ	02→ 08.08								<b>37203</b>						
KK	08→ 12	<b>71577</b>													

**PATRIOT**

	07→	<b>72367ST</b> 							<b>72401ST</b>						
		<b>72368ST</b> 													

**UNIVERSAL JEEP (CJ Series)**

<b>CJ 5, CJ 6</b>	73→ 75			<b>R1004</b>							<b>G21041</b>				
<b>CJ 5, CJ 6, CJ 7</b>	76→ 81			<b>R1004</b>							<b>R1000</b>				
<b>CJ 5, CJ 6, CJ 7</b>	82→ 86			<b>34958</b>							<b>R1000</b>				

**WAGONEER**

	76→ 83			<b>34958</b>							<b>34958</b>				
<b>Grand Wagoneer</b>	84→ 91														
XJ (-) Grand Wagoneer	84→ 90	<b>37026</b>							<b>37027</b>						

MC... =      MK... =      PK... =



	OESPECTRUM	REFLEX	ORIGINAL			OESPECTRUM	REFLEX	ORIGINAL		
	RISESENSE	ADVENTURE				RISESENSE	ADVENTURE	LEVELING		

**WRANGLER**

YJ	87→ 95	37120					37121				
TJ	96→ 06	37026					37135				
JK (-) 2WD (-) Rubicon	07→ 15	37285ST					37287ST				
JK (=) 2WD	07→ 10	37285ST					37286ST				

**JEEP EBRO**

**JEEP**

Bravo, CJ 3, CJ 6			R1014					G21041			
Comando S, VJ			G21041					R1000			

**KIA**

**CARENS I/RONDO (FJ)**

1.8, 2.0 (+/-)	99→ 10.02		G16343 					G16331 			
			G16344 					G16332 			

**CARENS III/RONDO (UN)**

1.6, 2.0, 2.0 CRDi	05.06→ 03.13	71135ST 			MK401R MK402L MK001			G1094			
		71136ST 									

**CARNIVAL/SEDONA**

2.5 V6, 2.9 D	08.99→ 10.01		G8401 	MC114				G21663			
			G8402 								
2.4, 2.5 V6, 2.7, 2.7 V6, 2.9 CRDi, 2.9 TD, 3.5	11.01→ 8.06		G8401 	MC114			37272ST				
			G8402 								
2.7 V6, 3.8 V6, 2.2 CRDi, 2.9 CRDi,	06.06→ 06.15		G8214 					G2121			
			G8215 								

**CEE'D** 3, 5 5

1.4, 1.6, 2.0, 1.6 D, 2.0 D ED	10.06→ 7.09		G8165 	MK001 MK332 I79 PK299				G1094	PK300		
			G8166 								
1.4, 1.6, 2.0, 1.6 D, 2.0 D ED	08.09→ 12.12			MK001 MK332 I79				G1094	PK300		

MC... =      MK... =      PK... =



	OESPECTRUM	REFLEX	ORIGINAL			OESPECTRUM	REFLEX	ORIGINAL		
	RIDESENSE	ADVENTURE				RIDESENSE	ADVENTURE	LEVELING		

1.4, 1.6, 1.4 D, 1.6 D JD	03.12→			G8216					G1094	PK300	
				G8217							

!79

MK001, MK202, MK342, MK343, MK344, MK345, MK346, MK347 =   
 MK149, MK208, MK263R, MK264L, MK271, MK321, MK322, MK376 =   
 MK067, MK068, MK077, MK156, MK194, MK326, MK332, MK334R, MK335L, MK337, MK372 = +

**CERATO/SPECTRA (LD)**

1.5, 1.6, 2.0, 1.5 D, 2.0 D	03.04→12.09			G7314					G7312		
				G7315					G7313		

**CERATO (TD)**

1.6, 2.0	06.09→02.14			G7384					G2222		
				G7385							

**CERATO (TD)**

1.6, 2.0	06.09→02.14			G7384							
				G7385							

**CLARUS/CREDOS (FE)**

	06.96→08.01			11779	MC112						
				11780							

**MAGENTIS/OPTIMA GD**

2.0, 2.4, 2.5, 2.7	05.01→09.05		71599 <sup>1</sup>						71326		
2.0, 2.4, 2.7, 2.0 D	06.05→12.10	71135ST			MK401R MK402L MK001				G1094	PK300	
		71136ST									

**OPTIMA**

2.0, 2.4, 1.7 CRDi, 2.0 hybrid	06.10→								5646ST		
--------------------------------------	--------	--	--	--	--	--	--	--	--------	--	--

**PICANTO**

1.0, 1.1, 1.1 CRDi SA	04.04→04.11			G7025	MC212 MK363 PK337				G1102	PK298	
				G7026							
1.0, 1.0 Bi-Fuel, 1.2 TA (+)	05.11→			G7106	MK405 PK337				G1102	PK298	
				G7107							

MC... =      MK... =      PK... =

KIA



<b>MONROE</b>	OESPECTRUM	REFLEX	ORIGINAL			OESPECTRUM	REFLEX	ORIGINAL		
	RIDESENSE	ADVENTURE				RIDESENSE	ADVENTURE	LEVELING		

**PRIDE, PRIDE WAGON**

	FA	06.90 → 09.01			11357 	MC212						R3897	
	K146	08.98 → 05.01			11358 								

**RETONA**

2.0, 2.0 D		06.99 → 12.01			D7007 (D7007R D7008L)							D7004			
---------------	--	---------------	--	--	-----------------------------	--	--	--	--	--	--	-------	--	--	--

**RIO**

1.3, 1.5	BC	04.00 → 07.02	72120 			MK284									
			72121 												
1.3, 1.5	BC	07.02 → 10.05	72246ST 			MK285R MK286L						G1081			
			72247ST 												
1.4, 1.6, 1.5 D	JB	03.05 → 12.11	72297 			MK001 MK337 !79					5621ST		PK297		
			72298 												
1.2, 1.4, 1.2 LPG, 1.1 CRDi, 1.4 CRDi (-) Russia	UB	12 →				G7421 						G2223			
1.2, 1.4, 1.2 LPG, 1.1 CRDi, 1.4 CRDi, (+) Russia	UB	12 →				G7419 						G2223			

!79

MK001, MK202, MK342, MK343, MK344, MK345, MK346, MK347 =   
 MK149, MK208, MK263R, MK264L, MK271, MK321, MK322, MK376 =   
 MK067, MK068, MK077, MK156, MK194, MK326, MK332, MK334R, MK335L, MK337, MK372 = +

**SEPHIA**

1.6 (-)	K20N, K20R	09.93 → 10.95			11204 	MC212						11302 	MC112	
					11205 							11303 		
1.6 1.5 1.6 1.8	K20N, K20R K280, K282 K24J, K24L K26X, K26Y	10.95 → 02.96 10.96 → 10.97			11300 	MC212 MK231						11302 	MC112 MK233R MK234	
					11301 							11303 		

**SEPHIA/LEO**

1.5 1.8	K26S, K26V K284, K286	97 → 05.98			11300 	MC212 MK231						11302 	MC112 MK233R MK234L	
					11301 							11303 		

MC... =      MK... =      PK... =



	OESPECTRUM	REFLEX	ORIGINAL			OESPECTRUM	REFLEX	ORIGINAL		
	RISENSE	ADVENTURE				RISENSE	ADVENTURE	LEVELING		

### SEPHIA/SHUMA/MENTOR

1.5 FBFSP6#, FDFBP6# (+/-)	98 → 01.99			G16341	MC112 MK232 PK117					G16331	MC112 MK233R MK234L PK117		
				G16342						G16332			
1.5 FBFSP6#, FDFBP6# (+/-)	01.99 → 06.00			G16343	MC112 MK232 PK117					G16331	MC112 MK233R MK234L PK117		
				G16344						G16332			

### SEPHIA/SHUMA

1.5 FXASP6#, FXADP6# 1.6 FXASR6#, FXADR6# 1.8 FXASB6#, FXAGB6# (+/-)	09.97 → 01.99			G16341	MC112 MK232 PK117					G16331	MC112 MK233R MK234L PK117		
				G16342						G16332			
1.5 FXASP6#, FXADP6# 1.6 FXASR6#, FXADR6# 1.8 FXASB6#, FXAGB6# (+/-)	01.99 → 02.01			G16343	MC112 MK232 PK117					G16331	MC112 MK233R MK234L PK117		
				G16344						G16332			

### SEPHIA II/SHUMA II/MENTOR II/SPECTRA

1.6 FBF6R6#, FBFDR6# (+/-)	06.00 → 05.01				MC112					G16331	MC112		
										G16332			
1.5 FBF6R6#, FBFDR6# 1.6 FBF6R6#, FBFDR6# (+/-)	05.01 → 06.05	72371ST			MC112					72373ST			

### SEPHIA II/SHUMA II/MENTOR II/SPECTRA

1.5 FXASP6#, FXADP6# 1.6 FXASR6#, FXADR6# 1.8 FXASB6#, FXAGB6# (+/-)	02.01 → 05.01				MC112					G16331	MC112		
										G16332			
1.5 FXASP6#, FXADP6# 1.6 FXASR6#, FXADR6# 1.8 FXASB6#, FXAGB6# (+/-)	05.01 → 06.05	72371ST			MC112					72373ST			

### SORENTO I (BL)

	FY	07.02 → 09.06		D8026 (D8026R D8027L)		MK216 PK338				D8028			
	FY	09.06 → 12.11		D8026 (D8026R D8027L)		MK216 PK338				37323ST			

### SORENTO II (XM)

2.4, 2.0 CRDi, 2.2 CRDi, 2.4 Bi-Fuel (-) (-) (-)	06.09 → 12.15			G8406						G2122			
				G8407									

MC... =      MK... =      PK... =

KIA



	OESPECTRUM	REFLEX	ORIGINAL			OESPECTRUM	REFLEX	ORIGINAL		
	RIDESENSE	ADVENTURE				RIDESENSE	ADVENTURE	LEVELING		

**SOUL (AM)**

	11.08 → 12.14		72968ST 							
			72969ST 							

**SPORTAGE (FM)**

	09.94 → 12.98		D7841		MK217			D7699		
	01.99 → 05.04		D7007 (D7007R D7008L)					D7004		

**SPORTAGE (KM)**

2.0 16 V, 2.0 CRDi, 2.7 Orig. Rep. Korea	07.04 → 05.10	72219ST 			MC114 MK213 PK160			72221 		MC114 MK211R MK212L PK160	
		72220ST 						72222 			

**SPORTAGE (SL)**

1.6, 2.0, 1.7 CRDi, 2.0 CRDi (=) (4 x 2)	06.10 → 12.15		G8176 		MK408 PK368			G1149		
			G8177 							
1.6, 2.0, 1.7 CRDi, 2.0 CRDi (=) (4 x 4)	06.10 → 12.15		G8176 		MK408			G1151		
			G8177 							

**VENGA (YN)**

	02.10 →		G7703 					G2223		
			G7704 							

**LADA**

**110, 111, 112**

2110..., 2111..., 2112...	01.95 → 12.12		E3452 <sup>1</sup>	MG274	<sup>110</sup> MK192			26529		
---------------------------	---------------	--	--------------------	-------	-------------------------	--	--	-------	--	--

**2123, CHEVY NIVA**

	09.02 →		D7010					D8025		
--	---------	--	-------	--	--	--	--	-------	--	--

**KALINA**

1.4, 1.6 1118	10.04 → 12.13		G8178 					26529		
			G8179 							

**KALINA**

1.4, 1.6 1117, 1119	03.06 → 06.13							26529		
---------------------	---------------	--	--	--	--	--	--	-------	--	--

**LARGUS**

1.6	06 → 13		G7369					G1137		
-----	---------	--	-------	--	--	--	--	-------	--	--

MC... =      MK... =      PK... =



<b>MONROE</b>	OESPECTRUM	REFLEX	ORIGINAL			OESPECTRUM	REFLEX	ORIGINAL		
	RIDESENSE	ADVENTURE				RIDESENSE	ADVENTURE	LEVELING		

**NIVA** (4 x 4)

2121	12.76 → 12.15		D2599						D2563					
------	---------------	--	-------	--	--	--	--	--	-------	--	--	--	--	--

**OKA, VINNI, MISHKA, DINARA**

1111	02.88 → 12.08		MG886											
------	---------------	--	-------	--	--	--	--	--	--	--	--	--	--	--

**PRIORA**

1.6 VAZ 2170	03.07 →													
1.6 Coupé 3	01.10 →													
1.6 5	02.08 →													
1.6 VAZ 2171 Universal	05.09 →									26529				

**SAMARA, DIVA, FORMAN, SAGONA**

2108..., 2109..., 21099..., 2113, 2114, 2115...	12.84 → 12.13		E3440 <sup>1</sup>	MG225	<b>I10</b> MK191 PK052						26529			
---	---------------	--	--------------------	-------	------------------------------	--	--	--	--	--	-------	--	--	--

**VAZ, NOVA, SHIGULI**

2101..., 2102..., 2103..., 2104..., 2105..., 2106..., 2107...	01.70 → 09.12			G22599							G22563			
---	---------------	--	--	--------	--	--	--	--	--	--	--------	--	--	--

**LANCIA**

**A112**

	06.78 → 12.86										R11001			
--	---------------	--	--	--	--	--	--	--	--	--	--------	--	--	--

**DEDRA**

1.6 i.e, 1.8 i.e, 2.0 i.e, 2000 Turbo, 2.0 Turbo ds	89 → 93													
1580 SPI 1580 MPI 8V 1750 MPI 1750 16V 85 kW 2000 MPI	94 → 99			16547	MC110 MK007 PK032				E1030 <sup>1</sup>	23430				
1930 TD	94 → 12.97													
1580 MPI 16V	94 → 99													
1750 16V 97 kW 1930 TD	12.97 → 99			G16725	MC110 MK007 PK032				E1030 <sup>1</sup>	23430				
1750 16V 97 kW	94 → 12.97								E1030 <sup>1</sup>	23430				
2000 16V	94 → 12.97			G16531	MC110 MK007 PK032				E1030 <sup>1</sup>	23430				

**DEDRA**

1580 SPI, 1580 MPI 8V 2000 MPI	94 → 99			16547	MC110 MK007 PK032				E1258 <sup>1</sup>	G1264				
1580 MPI 16V	94 → 99													
1750 16V 97 kW 1930 TD	12.97 → 99			G16725	MC110 MK007 PK032				E1258 <sup>1</sup>	G1264				

MC... =      MK... =      PK... =



	OESPECTRUM		REFLEX	ORIGINAL			OESPECTRUM		REFLEX	ORIGINAL		
	RIDESENSE	ADVENTURE					RIDESENSE	ADVENTURE	LEVELING			
1750 MPI 1750 16V 85 kW 2000 16V	94 → 12.97				MC110				E1258 <sup>1</sup>	G1264		
1930 TD	94 → 99											
1750 16V 97 kW	94 → 12.97								E1258 <sup>1</sup>	G1264		

### DELTA I, PRISMA (831AB0) (4 x 2)

1300, 1500, 1600, Diesel	09.79 → 01.86				PK005						PK057	
1.0, 1.3, 1.5, 1.6, 1.6i, 1.6 Turbo, 1.6 Diesel, 1.6 Turbo Diesel, 1.9, 2.0 Turbo Diesel	02.86 → 93			G16104	PK005					16105	PK057	
1.6 Turbo Diesel (=)	07.87 → 93			G16104	MC110 PK005					16105	PK057	

### DELTA II (836)

1400, 1600, 1800	93 → 99			16547	MC110 MK007 PK032			E1030 <sup>1</sup>	23430			
1.9 Turbo Diesel	93 → 99				MK007			E1030 <sup>1</sup>	23430			
1600 16V, 1800 16V	96 → 99			G16531	MC110 MK007 PK032			E1030 <sup>1</sup>	23430			
2000 16V (-) Turbo (HF) (-) GT (-) HPE (-)	93 → 99			G16531	MC110 MK007 PK032					42057		
2000 16V Turbo HF 2000 16V Turbo HF LS 2000 16V Turbo HPE HF (-)	93 → 99				MK007					42057		
2000 16 V GT	93 → 96											
2000 16 V HPE (-)	95 → 96							E1258 <sup>1</sup>	G1264			
2000 16 V GT 2000 16 V HPE (-)	96 → 99							E1030 <sup>1</sup>	23430			

### DELTA III (844)

1.4 T-Jet 16 V, 1.6 D	09 → 12.14		E7117 <sup>1</sup>	G8321	MK302 PK334			E1307 <sup>1</sup>	23963	PK108		
1.8 Di T-Jet 16 V, 147 kW, 1.9 D, 2.0 D	09 → 12.14			G8280	MK302 PK334			E1307 <sup>1</sup>	23963			

### LYBRA

1.6 16V, 1.8 16V	07.99 → 10.05	742159SP	E4952 <sup>1</sup>		MC110 MK048 PK090				376196SP			
2.0 20V, 1910 JTD, 2400 JTD	07.99 → 10.05	742139SP	E4953 <sup>1</sup>		MC212 MK048 PK090				376196SP			

### MUSA

1.2, 1.4, 1250 MJTD, 1.3 JTD, 1.9 JTD	10.03 → 12.12	742048SP	E7027 <sup>1</sup>		MK095 PK161				376075SP	E1333 <sup>1</sup>		
--	---------------	----------	--------------------	--	----------------	--	--	--	----------	--------------------	--	--

### PHEDRA

2.0 16V, 3.0 V6, 2.0 JTD, 2.2 JTD	03.02 → 11.10	742119SP 	E7014 <sup>1</sup> (E7014R E7015L)		MC212 MK048 PK090				376093SP	E2059 <sup>1</sup>		
		742120SP 										

MC... =

MK... =

PK... =





	OESPECTRUM	REFLEX	ORIGINAL			OESPECTRUM	REFLEX	ORIGINAL		
	RIDESENSE	ADVENTURE				RIDESENSE	ADVENTURE	LEVELING		

**THEMA**

	11.84 → 05.95			16518	I36 MC112 PK007				16538	I36 MK116 PK007	
--	---------------	--	--	-------	-----------------------	--	--	--	-------	-----------------------	--

**VOYAGER**

3.6, 2.8 D (-)	9.11 →	71128ST					37290ST				
3.6, 2.8 D (+)	09.11 →	71128ST						58648ST			

**Y10**

 (=) (4 x 2) (+/-) Turbo	85 → 93			G16212	MC210 MK028 PK013				R3420	PK127	
				G16213							
 (=) (4 x 4)	85 → 93			G16212	MC210 MK028 PK013				R3439	PK127	
				G16213							
 (=) (4 x 2)	93 → 11.95			G16212	MC210 MK028 PK013				23448		
				G16213							
 (=) (4 x 4)	93 → 01.95			G16212	MC210 MK028 PK013				23449		
				G16213							

**Y** (4 x 2)

1.1, 1.2, 1.4	12.95 → 09.03			G16243	MC110 MK050 PK070				43103		
---------------	---------------	--	--	--------	-------------------------	--	--	--	-------	--	--

**YPSILON**

1.2, 1.4, 1.3 Multijet	10.03 → 12.11	742048SP	E7027 <sup>1</sup>		MK095 PK161		376075SP	E1333 <sup>1</sup>			
------------------------	---------------	----------	--------------------	--	----------------	--	----------	--------------------	--	--	--

**YPSILON (312)**

0.9, 1.2, 1.2 BiFuel (+/-) LPG/CNG	05.11 →			G8282					G2510		
				G8283							
1.3 diesel	05.11 →								G2510		

**ZETA**

 → vet.no. 7609 (-)	08.94 → 09.97			11679	MC112 MK048				42056		
 (+)	08.94 → 09.97			V4201	MC112 MK048				V5006		
 → vet.no. 7609 (-)	09.97 → 09.02			11679	MC112 MK048				26662		
 (+)	09.97 → 09.02			V4201	MC112 MK048				V2510		

MC... =      MK... =      PK... =

LANCIA



<b>MONROE</b>	OESPECTRUM	REFLEX	ORIGINAL			OESPECTRUM	REFLEX	ORIGINAL		
	RIDESENSE	ADVENTURE				RIDESENSE	ADVENTURE	LEVELING		

# LAND ROVER

## DISCOVERY

	MK I	06.89 → 06.94		D6419						D6440			
	MK I	07.94 → 10.98		D6437						D6643			
	MK II	11.98 → 06.04		D8351						D8348			
	(+) Active Roll (-)	11.98 → 06.04		D8350						D8347			
	MK I												
	MK II	11.98 → 06.04		D8350						D8348			
	(+) (+) Active Roll												
	MK III, MKIV	07.04 → 02.17		D8976 <b>AK247</b>						D8977 <b>AK247</b>			

## DISCOVERY MK I

		06.89 → 10.98		R3256									
--	--	---------------	--	-------	--	--	--	--	--	--	--	--	--

## EVOQUE

	(+/-) 4WD (-)	06.11 →		D0418 (D0418R D0419L)						D0420 (D0420R D0421L)			
--	------------------	---------	--	-----------------------------	--	--	--	--	--	-----------------------------	--	--	--

## FREELANDER

1.8, 2.0 D 3 , 5		02.98 → 10.00		D0003 (D0003R D0004L)		MC114 MK312 PK381				D0005 (D0005R D0006L)		MC114 MK310 PK389	
1.8, TD 4, 2.5 V6 3 , 5		10.00 → 10.06		D0401 (D0401R D0402L)		MC114 MK312 PK381				D0005 (D0005R D0006L)		MC114 MK310 PK389	
	(+/-) 4WD	10.06 → 10.14		D0416 (D0416R D0417L)						D0422 (D0422R D0423L)			

## LAND ROVER

		48 → 49								R1004			
		49 → 53					R1004			R1004			
	(=)  86"	53 → 56											
	(=)  88" Series I, II, IIA, IIB, III	56 → 83		D6415						D4044			
	(=)  107"	53 → 58											
	(+/-)												
	(=)  109"												
	(=)  109" Series II, IIA, IIB, III	58 → 84		D6415						D6615			
	(=)  119"												
90, 110, 130 Defender		83 → 02.16		D6628						D6629			
1300 Forward Control (=) ORIG		01.69 → 12.77		D4044						D6615			

MC... =      MK... =      PK... =



	OESPECTRUM	REFLEX	ORIGINAL		OESPECTRUM	REFLEX	ORIGINAL	
	RIDESENSE	ADVENTURE			RIDESENSE	ADVENTURE	LEVELING	

**LAND ROVER**

(=)  86"	53 → 56								
(=)  86" Series I, II, IIA, IIB, III	56 → 83								
(=)  107" (+/-)	53 → 58			R3256	⊕	⊥			
(=)  109"	53 → 58								
(=)  109" Series II, IIA, IIB, III	58 → 84								
(=)  119"									
<b>90, 110, 130, Defender</b>	83 → 02.16			R2797	⊕	⊥			

**RANGE ROVER**

→ ch.no. GA417084	70 → 89								
ch.no. GA417085 →	89 → 94			D6419				D6440	⊥
<b>Range Rover Classic</b> (-)	94 → 96								
	8.92 → 94								
<b>Range Rover Classic</b> (+)	94 → 96			D8641		⊥		D6643	⊥
(+)	94 → 02			D8644		⊥		D8645	⊥
L322	02.02 → 08.12							D4004	⊥
<b>Range Rover Sport</b> L320 (+) (-)	02.05 → 12.13			D8976 <b>AK247</b>		⊥		D8977 <b>AK247</b>	⊥

**RANGE ROVER**

	70 → 94			R3256	⊕	⊥			
<b>Range Rover Classic</b>	94 →								

**SANTANA** (E)

<b>Santana 88</b> 2.5 DC 2500 DC	12.61 → 05.91			D6415				D4044	⊥
<b>Santana 109, 119</b> 2.5 DL, DE, 3.5 DL 2500 DL, 3500 DL	12.61 → 05.91			D6415				D6615	⊥

**LDV COMMERCIALS**

**CONVOY**

<b>2.5, 2.5 TD</b>	4.96 → 4.06			V2143				V7007	⊥
--------------------	-------------	--	--	-------	--	--	--	-------	---

MC... =      MK... =      PK... =

LDV



<b>MONROE</b>	OESPECTRUM	REFLEX	ORIGINAL			OESPECTRUM	REFLEX	ORIGINAL		
	RIDESENSE	ADVENTURE				RIDESENSE	ADVENTURE	LEVELING		

**CUB**

2.3 D	09.98 → 11.01			G16610	MC112					V1002	
				G16611							

**LEXUS**

**ES**

ES300 (-) Adaptive Variable Suspension	08.01 → 10.06	71490								71492	
		71491								71493	

**GS**

GS300, GS400	08.97 → 03.05	71133ST								71134ST	
--------------	---------------	---------	--	--	--	--	--	--	--	---------	--

**IS**

IS200d	07.10 → 04.13	39131ST								39133ST	
IS220d (=) 18" Wheels	08.05 → 04.13	39132ST									
IS250 (=) (4 x 2)	08.05 → 04.13	39131ST								39133ST	
		39132ST									
IS250 (=) (4 x 4)	01.06 → 04.13									39133ST	

**RX**

RX300 (=) (4 x 2)	99 → 00									72103ST	
										72104ST	
RX300 (=) (4 x 4)	99 → 00									71498ST	
										71499ST	
RX300 (=) (4 x 2)	01 → 03	72101ST								72103ST	
		72102ST								72104ST	
RX300 (=) (4 x 4)	01 → 03	72101ST								71498ST	
		72102ST								71499ST	
RX330	04 → 06	72211ST								72213ST	
RX350 (-) (=) (4 x 2)	01.06 → 12.08	72212ST								72214ST	
RX330	04 → 06	72211ST								72215ST	
RX350 (-) (=) (4 x 4)	02.06 → 06.09	72212ST								72216ST	

MC... =      MK... =      PK... =



<b>MONROE</b>	OESPECTRUM	REFLEX	ORIGINAL			OESPECTRUM	REFLEX	ORIGINAL		
	RIDESENSE	ADVENTURE				RIDESENSE	ADVENTURE	LEVELING		

RX350 (-)	01.09 → 09.15	72211ST								
		72212ST								

**LEYLAND → FREIGHT ROVER**

**LONDON TAXIS INT.**

**LONDON CAB**

Black Cabs S Plus	88 →									
-------------------	------	--	--	--	--	--	--	--	--	--

**MAZDA**

**121** ORIG.

DB	91 → 12.96			11166	MC212 MK102			R3780		
----	------------	--	--	-------	-------------	--	--	-------	--	--

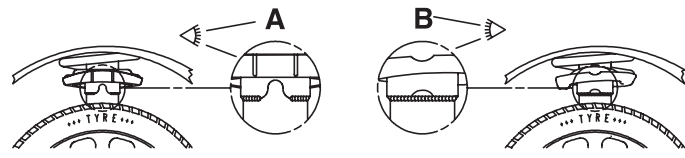
**121** ORIG.

1250, 1300 1.8 D (=)	96 → 10.98			16227	MK055 PK022		E1162 <sup>1</sup>	23839	MK126 PK018
1250, 1300 1.8 D (=)	96 → 10.98		E4328 <sup>1</sup>	16226	MK055 PK022		E1162 <sup>1</sup>	23839	MK126 PK018
1250, 1300 1.8 D (=)	10.98 →			16227	MK055 PK022		E1239 <sup>1</sup>	23901	MK126 PK018
1250, 1300 1.8 D (=)	10.98 → 10.02			16227	MK055 PK022		E1239 <sup>1</sup>	23901	MK126 PK018
1250, 1300 1.8 D (=)	10.98 → 10.02		E4328 <sup>1</sup>	16226	MK055 PK022		E1239 <sup>1</sup>	23901	MK126 PK018

**2**

1.25 Si, 1.4 TSi, 1.4 TRSi, 1.6 TRSi, 1.4 CDVi Si, 1.4 CDVi TSi, 1.4 CDVi TRSi	01.03 → 12.03			G16384	!65 round spring (A) MK183 PK168			43125	PK078
				G16383					
1.25 Si, 1.4 TSi, 1.4 TRSi, 1.6 TRSi, 1.4 CDVi Si, 1.4 CDVi TSi, 1.4 CDVi TRSi	01.04 → 07.07			G16385	!65 oval spring (B) MK183 PK168			43125	PK078
				G16386					
1.3, 1.5, 1.4 CDVi, 1.6 CDVi	08.07 → 11.14			G7401	MK352 PK291			44001	PK078
				G7402					

!65



MC... =      MK... =      PK... =

MAZDA



	OESPECTRUM	REFLEX	ORIGINAL			OESPECTRUM	REFLEX	ORIGINAL		
	RIDESENSE	ADVENTURE				RIDESENSE	ADVENTURE	LEVELING		

**3**

1.3i, 1.3 Si, 1.3 TSi, 1.6 TSi, 2.0 TRSi, 1.6 CDVi TSi, 1.6 CDVi TRSi (-) Speed/MPS (-) (4 x 4)	04 → 06.09			G8803	MK282 PK156				23992	MK376 PK078	
				G8804							
1.6, 2.0, 1.6 CDVi, 2.2 CDVi (=) (=) (4 x 2) (-) Russia (-) Columbia	07.09 → 06.11			G8803	MK282 PK156				G1197		
				G8804							
1.6, 2.0, 1.6 CDVi, 2.2 CDVi (=) (=) (4 x 2) (-) Russia (-) Columbia	07.11 → 09.14			G8803	MK282 PK156				G1167		
				G8804							

**323** (4 x 2)

1.1, 1.3, 1.5 ch.no. ..BD...	10.80 → 09.85			R11040	MC212 MK248 PK058					11261	MC212 MK249 PK018	
										11260		
1.1, 1.3, 1.5, 1.6, 1.7 D ch.no. ..BF... 4 (-)	05.85 → 07.89			R11040	MC212 MK248 PK058					11085	MC212 MK249 PK018	
										11086		
1.3, 1.6, 1.8, 1.7 D ch.no. ..BG... 4 (-)	06.89 → 06.94			11148	MC212 MK255 PK058					11133	MC112 MK256 PK072	
										11134		
1.3, 1.5, 1.7 Turbo Diesel, 1.8, 2.0 D ch.no. ..BA... 4	04.94 → 05.98			E4348 <sup>1</sup> (E4348R E4349L)	MC212 MK257 PK120					11232	MC112 MK370R MK371L PK134	
										11231		
1.3, 1.5, 1.8, 2.0 D, 2.0 Turbo Diesel → ch.no. ..BJ1#####304194 4	05.98 → 00			G16318	MK315 PK120					G16320	MC112 PK119	
										G16319		
1.3, 1.5, 1.8, 2.0 D, 2.0 Turbo Diesel ch.no. ..BJ1#####304194 → ..BJ1#####400000 4	00 → 11.00			G16345	MC112 MK315 PK120					G16320	MC112 PK119	
										G16346		
1.3, 1.6, 1.8, 2.0 Turbo Diesel ch.no. ..BJ 1.##### 400 001 → 4 (-) 2.0 (-)	10.00 → 03			G16345	MC112 MK315 PK120					G16347	MC112 PK134	
										G16346		
2.0 16V ch.no. ..BJ 1.##### 400 001 → 4	10.00 → 03				MK315					G16347	MC112 PK134	
										G16348		

**323** (4 x 2)

1.1, 1.3, 1.5 ch.no. ..BD...	08.80 → 09.85			R11040	MC212 MK248 PK058					11261	MC212 MK249 PK018	
										11260		

MC... =      MK... =      PK... =



	OESPECTRUM	REFLEX	ORIGINAL			OESPECTRUM	REFLEX	ORIGINAL		
	RIDESENSE	ADVENTURE				RIDESENSE	ADVENTURE	LEVELING		

1.1, 1.3, 1.5, 1.6, 1.7 D ch.no. ...BF... 3 , 5 (-)	05.85 → 07.89			R11040	MC212 MK248 PK058				11085	MC212 MK249 PK018	
									11086		
1.3, 1.6, 1.8, 1.7 D ch.no. ...BG... 3 , 5 (-)	06.89 → 06.94			11148	MC212 MK255 PK058				11133	MC112 MK256 PK072	
									11134		

**323F (4 x 2) 5**

1.3, 1.5, 1.8 ch.no. ...BA... (-) 2.0 V6	04.94 → 07.98		E4348 <sup>1</sup> (E4348R E4349L)	11230	MC212 MK257 PK120				11232	MC112 MK370R MK371L PK134	
				11231					11233		
1.3, 1.5, 1.8, 2.0 D, 2.0 Turbo Diesel → ch.no. ...BJ1#####304194	05.98 → 00			G16318	MK315 PK120				G16320	MC112 PK119	
				G16319					G16321		
1.3, 1.5, 1.8, 2.0 D, 2.0 Turbo Diesel ch.no. ...BJ1#####304194 → ...BJ1#####400000	00 → 11.00			G16345	MC112 MK315 PK120				G16320	MC112 PK119	
				G16346					G16321		
1.3, 1.6, 1.8, 2.0 Turbo Diesel ch.no. ...BJ 1.##### 400 001 → (-) 2.0 (-)	10.00 → 03			G16345	MC112 MK315 PK120				G16347	MC112 PK134	
				G16346					G16348		
2.0 16V ch.no. ...BJ 1.##### 400 001 →	10.00 → 03				MK315				G16347	MC112 PK134	
									G16348		

**323C, 323P (4 x 2)**

1.3, 1.5, 2.0 D 1.7 Turbo Diesel, 1.8, ch.no. ...BA... 3	04.94 → 09.00		E4348 <sup>1</sup> (E4348R E4349L)	11230	MC212 PK120				11232	MC112 MK370R MK371L PK134	
				11231					11233		

**323**

1.3, 1.4 FA 4 TV	78 → 86								R1121		
1.3, 1.4 FA 4 UV											
1.3, 1.4 FA 4 T 6											
1.3, 1.4 FA 4 TV											
1.3, 1.4 FA 4 UV											
1.5, 1.6, 1.7 D ch.no. ...BW...	01.86 → 10.95			R11040	MC212 PK058						

**5 (CR19) (4 x 2)**

1.8, 2.0, 2.3, 1.6 CiTD, 2.0 CDVi (+)	02.05 → 05.10			G8805	MK282 PK156				43129	MK376 PK078	
				G8806							

**5 (CW)**

1.8, 2.0, 1.6 CiTD (+) (-)	06.10 →			G8805	MK282 PK156				43129	MK376 PK078	
				G8806							

MC... =      MK... =      PK... =



	OESPECTRUM	REFLEX	ORIGINAL			OESPECTRUM	REFLEX	ORIGINAL		
	RIDESENSE	ADVENTURE				RIDESENSE	ADVENTURE	LEVELING		

**6 (GG)**

1.8 Si, 1.8 TSi, 2.0 TSi, 2.3 TRSi, 2.0 CDVi (-)	02.02 → 02.04			G23101	MK357 PK158				23980		
1.8 Si, 1.8 TSi, 2.0 TSi, 2.3 TRSi, 2.0 CDVi (-)	02.04 → 02.08			G23101	MK358 PK157				23980		

**6 SPORT WAGON**

1.8 Si, 1.8 TSi, 2.0 TSi, 2.3 TRSi, 2.0 CDVi (=) (4 x 2) (-)	02.02 → 02.04			G23101	MK357 PK158				23980	I36	
1.8 Si, 1.8 TSi, 2.0 TSi, 2.3 TRSi, 2.0 CDVi (=) (4 x 2) (-)	02.04 → 01.08			G23101	MK358 PK157				23980	I36	
2.3 TRSi (=) (4 x 4)	02.02 → 02.04				PK158					I36	
2.3 TRSi (=) (4 x 4)	02.04 → 01.08				PK157					I36	

**6 (GH)**

1.8, 2.0, 2.5, 2.0 CiTD, 2.2 CiTD	08.07 → 07.13			G1155 					G1157		
				G1156 							

**6 (GJ)**

	12.12 → 04.13	72938ST 							5515ST		
	05.13 →	72938ST 									
		72939ST 									
		72939ST 									

**626, MONTROSE**

GC 1 (-)	09.82 → 05.87								R11069 	MC112 MK250R MK251L PK030	
GD 1 (-) 4 WS (-)	06.87 → 08.91			11545	MC112 MK252 PK040				R11070 	MC112 MK253 PK041	
1.8, 2.0, 2.5, 2.0 D, GE 1 (=) (4 x 2) (-) 4 WS	08.91 → 06.97			11738 	MC112 MK254 PK114			E4867 <sup>1</sup>	11740	MC112 MK173R MK174L	
1.8 16 V, 2.0 16 V, 2.5 V6 24 V, 2.0 tD (-)	04.97 → 07.99			G16760 	MC112 MK339 PK115				G16762 	MC112 PK006	
 (-)	08.99 → 10.02			16411 	MC112 MK339				G16762 	MC112 PK006	
				16412 					G16763 		

MC... =      MK... =      PK... =





	OESPECTRUM	REFLEX	ORIGINAL			OESPECTRUM	REFLEX	ORIGINAL		
	RIDESENSE	ADVENTURE				RIDESENSE	ADVENTURE	LEVELING		

**626**

<b>626</b> (=) (4 x 2) (-)	GV 12	03.88 → 04.97			<b>11545</b>	MC112						
<b>1.8 16V, 2.0 16V, 2.5 V6 24V, 2.0 tD</b> (-)		04.97 → 07.99			<b>G16760</b> 	MC112 MK339						
					<b>G16761</b> 							
 (-)		08.99 → 10.02			<b>16411</b> 	MC112 MK339						
					<b>16412</b> 							

**1500, 1800**

<b>1500, 1800</b>		66 → 72			<b>V1063</b>							
-------------------	--	---------	--	--	--------------	--	--	--	--	--	--	--

**B SERIES**

<b>B 1600</b> <b>BNA</b>		70 → 76			<b>V1063</b>							
<b>B 1600, B 1800, B 2000</b>		07.71 → 12.84										
<b>B 1600, B 2000, B 2200</b> (=) (4 x 2) 		01.85 → 03.96			<b>V1053</b>					<b>V1117</b>		
<b>B Series</b> (=) (4 x 2)		03.96 → 11.06			<b>V1119</b>					<b>V1117</b>		
<b>B Series</b> (=) (4 x 4)		03.96 → 11.06			<b>V1119</b>					<b>V1118</b>		
<b>BT 50</b> (=) (4 x 2) (-) (-)   (-) High Rider		08.06 →		<b>D0031</b>					<b>D0033</b>			
<b>BT 50</b> (=) (4 x 2) (-)   (+) High Rider		06 → 00		<b>D0032</b>					<b>D1102</b>			
<b>BT 50</b> (=) (4 x 4)		06 →										

**BT50**

<b>2.2 TDCi, 2.5, 3.2 TDCi</b> (=) (4 x 2) (-) High Trail		12 →		<b>D8091</b>					<b>D8092</b>			
<b>2.2 TDCi, 2.5, 3.2 TDCi</b> (=) (4 x 2) (=) (4 x 4) (+) High Trail Raised Body		12 →		<b>D8093</b>					<b>D8094</b>			

**CX-7**

<b>2.3, 2.5, 2.2 D</b>		06.06 → 12.14			<b>72493ST</b> 							
					<b>72494ST</b> 				<b>37313ST</b>			

**DEMIO**

<b>1.3, 1.5</b> (-)		10.96 → 12.02			<b>11324</b> 	MC212 PK051				<b>23959</b>		
					<b>11325</b> 							

MC... =      MK... =      PK... =

MAZDA



	OESPECTRUM	REFLEX	ORIGINAL			OESPECTRUM	REFLEX	ORIGINAL		
	RIDESENSE	ADVENTURE				RIDESENSE	ADVENTURE	LEVELING		

**E SERIES**

E 1600 Type BA 2 N 9	78 → 84			V1063					V1002		
E 2200	78 → 84			V1063					V1122		
E 1400 E 1800, E 2000, E 2200 (=) E 1800, E 2000, E 2200  (=) (4 x 2)	84 → 97			V1021					V1120		
E 1400, E 1800, E 2000, E 2200 (=) E 1400, E 1800, E 2000, E 2200  (=) (4 x 2)	84 → 97			V1021					V1122		
E 2000, E 2200	04.97 → 07.04								V1120		
E 2000, E 2200 (=)	04.97 → 07.04								V1122		

**MPV**

3.0 V6, 2.5 TD LV (=)	9.88 → 8.99	71913			MC212						
2.0 16V, 2.5 V6 LW (=)	9.99 → 7.00	71439ST 			PK024				26667		
2.0, 2.3, 2.5 V6, 3.0 V6, 2.0 Di, LW (=)	11.00 → 01.06	71459 							26667		
		71460 									

**MX-3**

1.6, 1.8 (-)	07.91 → 12.98	71929			MC112 MK218				MC112 MK228 PK121		
1.6, 1.8 (+)	07.91 → 12.98	71929			MC112 MK218				MC112 MK228 PK121		

**MX-5/MIATA**

1.6, 1.8 Type NA (+/-)	89 → 98	71285			MK219		71245			MK219	
1.6, 1.8, 1.9 Type NB (-)	01.98 → 10.05	71342ST					71343ST				
1.6, 1.8, 1.9 Type NB (+)	01.98 → 10.05						71343ST				
1.8, 2.0 (-)	03.05 → 12.14	72495ST					72496ST				

**MX-6**

GE 1 (-) 4WS	06.92 → 09.97			11738 	MC112					MC112	
				11739 							

MC... =      MK... =      PK... =



	OESPECTRUM	REFLEX	ORIGINAL			OESPECTRUM	REFLEX	ORIGINAL		
	RIDESENSE	ADVENTURE				RIDESENSE	ADVENTURE	LEVELING		

### PREMACY

1.8, 2.0 D	03.99 → 07.01		G16322							G16426	PK139	
			G16323							G16427		
1.8, 2.0 D	07.01 → 06.05		G16349	MC112						G16426	PK139	
			G16350							G16427		

### RX8 COUPE

1.3 rotary SE17 (=) (=)	06.03 → 06.12	72495ST										
-------------------------------	---------------	---------	--	--	--	--	--	--	--	--	--	--

### TRIBUTE (EP)

2.0, 2.3, 3.0	11.00 → 05.08	71593								37217		
		71594										

### XEDOS

Xedos 6	01.92 → 10.99		G16673	MC112							G16680	MC112	
			G16674										

## MERCEDES BENZ

### 123 SERIES (W123) (C123)

200, 230, 250, 280, 280 E, 230 C, 230 CE, 280 C, 280 CE, 200 D, 220 D, 240 D, 300 D	76 → 84		E5017 <sup>1</sup>	43009						E5306 <sup>1</sup>	53005		
---	---------	--	--------------------	-------	--	--	--	--	--	--------------------	-------	--	--

### 123 SERIES (W123)

200 T, 230 T, 230 TE, 250 T, 280 TE, 240 TD, 300 TD	78 → 85		E5017 <sup>1</sup>	43009						∅	∅		
---	---------	--	--------------------	-------	--	--	--	--	--	---	---	--	--

### 124 SERIES (W124)

200, 200 E, 230 E, 260 E, 300 E, 320 E, 400 E, 200 D, 250 D, 250 Turbo D, 300 D, 300 Turbo D	84 → 93		E4410 <sup>1</sup> AK217 I49	G16507 AK217 I49	MK063 PK034				E5016 <sup>1</sup>	43071	I36	
(-) 4-Matic												
260 E, 300 E, 300 D, 300 D Turbo	86 → 93								E5016 <sup>1</sup>	43071	I36	
(=) (4 x 4) (+) 4-Matic												

### 124 SERIES (C124)

200 CE, 220 CE, 230 CE, 300 CE, 320 CE	87 → 93		E4410 <sup>1</sup> AK217 I49	G16507 AK217 I49	MK063 PK034				E5016 <sup>1</sup>	43071	I36	
---	---------	--	------------------------------------	------------------------	----------------	--	--	--	--------------------	-------	-----	--

### 124 SERIES (A124)

230 CE, 300 CE, 320 CE	91 → 93				MK063				E5016 <sup>1</sup>	43071	I36	
------------------------	---------	--	--	--	-------	--	--	--	--------------------	-------	-----	--

MC... =      MK... =      PK... =

MERCEDES



<b>MONROE</b>	OESPECTRUM	REFLEX	ORIGINAL			OESPECTRUM	REFLEX	ORIGINAL		
	RIDESENSE	ADVENTURE				RIDESENSE	ADVENTURE	LEVELING		

**124 SERIES (S124) (W124)**

200 T, 230 TE, 280 TE, 85→ 93 300 TE, 320 TE, 200 TD, 250 TD, 300 TD Turbo (-) 4-Matic		E4410 <sup>1</sup> AK217 <b>!49</b>	G16507 AK217 <b>!49</b>	MK063 PK034						
---	--	---	-------------------------------	----------------	--	--	--	--	--	--

**190 SERIES (W201)**

190, 190 E 83→ 08.93 1.8, 2.0, 2.3, 2.6, 190 D 2.0 D, 2.5 D, 2.5 TD (-) 2.3-16/2.5-16		E4402 <sup>1</sup> AK217 <b>!49</b>	G16507 AK217 <b>!49</b>	MK063 PK034			E5011 <sup>1</sup>	43070		
---	--	---	-------------------------------	----------------	--	--	--------------------	-------	--	--

**A KLASSE (W168)**

A 140, A 160, 06.97→ 08.04 A 160 CDI A 170 CDI 03.98→ 08.04 A 190 06.99→ 08.04 A 210 03.02→ 08.04 (=)  , (=) Elegance, Avantgarde, Classic, Sport		E4390 <sup>1</sup>	G16277	MK150 <b>!53</b>			E5090 <sup>1</sup>	43112		
--	--	--------------------	--------	---------------------	--	--	--------------------	-------	--	--

**!53**

MK150 = MK + PK

**A KLASSE (W169)**

A 150, A 160, A 170, A 200, 09.04→ 06.12 A 200 T, A 160 CDi, A 180 CDi, A 200 CDi	742053SP	E7093 <sup>1</sup>	G8114	MK378 PK170		376037SP	E5116 <sup>1</sup>	43130		
--	----------	--------------------	-------	----------------	--	----------	--------------------	-------	--	--

**A KLASSE (W176)**

A 160, A 180, A 200, A 220, 06.12→ A 250, A 160CDi, A 180 CDi, A 200 CDi, A 220 CDi Excl. Sport Edition & Comfort Susp. (-) (-) (=) (=)			G8274 	PK383				43136		
			G8275 							

**B KLASSE (W245)**

B 150, B 160, B 170, B 200, 03.05→ 11.11 B 200 T, B 180 CDi, B 200 CDi	742024SP			MK378 PK170		376037SP	E5116 <sup>1</sup>	43130		
--	----------	--	--	----------------	--	----------	--------------------	-------	--	--

**B KLASSE (W246)**

B 180, B 200, B 250, B 11.11→ 180 CDi, B 200 CDi, B 220 CDi Excl. NGT (-) SP (-) (-) (-) (-) Comfort Susp.			G8274 	PK383				43136		
			G8275 							

MC... =      MK... =      PK... =

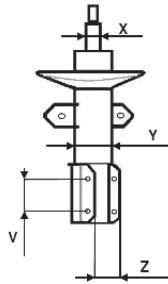


<b>MONROE</b>	OESPECTRUM	REFLEX	ORIGINAL			OESPECTRUM	REFLEX	ORIGINAL		
	RIDESENSE	ADVENTURE				RIDESENSE	ADVENTURE	LEVELING		

**CITAN**

112, 108 CDi, 109 CDi, 111 CDi, 15" Wheels	11.12→			<b>G8173</b>	<b>!76</b> <b>Z=35mm</b>				<b>G1104</b>		
108 CDi, 109 CDi, 111 CDi 14" Wheels	11.12→			<b>R7612</b>	<b>!76</b> <b>Z=27mm</b>				<b>G1104</b>		

**!76**



X	Y	Z	V	
20	47	27	57	<b>R7612</b>
22	52	35	72	<b>G8173</b>

**C KLASSE (W202)**

C 180, C 200, C 220, C 230, C 240, C 200 D, C 220 D, C 250 D (-) (-) Esprit (-) (-)	93→ 00	<b>376065SP</b>		<b>43080</b>					E5027 <sup>1</sup>	<b>43081</b>	<b>!36</b>	
C 280, C 250 TD, C 200 CDi, C 220 CDi (-) (-) Esprit (-) (-)	93→ 00		E5055 <sup>1</sup>	<b>43089</b>					E5027 <sup>1</sup>	<b>43081</b>	<b>!36</b>	
C 180, C 200, C 220, C 230, C 240, C 200 D, C 220 D, C 200 CDi, C 220 CDi (+) Esprit	93→ 00		E5092 <sup>1</sup>	<b>G43143</b>					E5029 <sup>1</sup>	<b>G43146</b>	<b>!36</b>	
C 280, C 250 TD (+) Esprit	93→ 00								E5029 <sup>1</sup>	<b>G43146</b>	<b>!36</b>	
C 180, C 200, C 220, C 230, C 240, C 200 D, C 220 D, C 250 D, C 200 CDi, C 220 CDi (+) (+)	93→ 00	<b>376121SP</b>	E5052 <sup>1</sup>				<b>376069SP</b>	E5053 <sup>1</sup>			<b>!36</b>	

**C KLASSE (S202) (T202)**

C 180, C 200, C 230, C 240, C 280, C 220 D, C 250 TD, C 200 CDi, C 220 CDi (-) (-) Esprit (-) (-)	96→ 01		E5055 <sup>1</sup>	<b>43089</b>			<b>376069SP</b>	E5053 <sup>1</sup>			<b>!36</b>	
C 180, C 200, C 230, C 240, C 280, C 220 D, C 250 TD, C 200 CDi, C 220 CDi (+) Esprit	96→ 01		E5092 <sup>1</sup>	<b>G43143</b>				E5029 <sup>1</sup>	<b>G43146</b>		<b>!36</b>	

MC... =      MK... =      PK... =

MERCEDES



	OESPECTRUM	REFLEX	ORIGINAL			OESPECTRUM	REFLEX	ORIGINAL		
	RIDSENSE	ADVENTURE				RIDSENSE	ADVENTURE	LEVELING		

C 180, C 200, C 230, C 240, C 280, C 220 D, C 250 TD, C 200 CDI, C 220 CDI (+) <input type="checkbox"/> HD (+) <input type="checkbox"/>	93→ 01	376121SP	E5052 <sup>1</sup>						376069SP	E5053 <sup>1</sup>		136		<input type="checkbox"/>
---	--------	----------	--------------------	--	--	--	--	--	----------	--------------------	--	-----	--	--------------------------

**C KLASSE (W203)**

C 180 Kompr., C 200 Kompr., C 230 Kompr., C 180, C 230, C 240, C 280, C 320, C 350, C 200 CDI, C 200 CGi, C 220 CDI, C 270 CDI, C 320 CDI, (-) 4-Matic (-) <input type="checkbox"/> SP (-) <input type="checkbox"/> (-) <input type="checkbox"/> HD	05.00→ 07	742001SP	E4630 <sup>1</sup>	G8429	MK198 PK339				376034SP	E5098 <sup>1</sup>	43138			<input type="checkbox"/>
C 180 Kompr., C 200 Kompr., C 200 CGi Kompr., C 180, C 230, C 240, C 280, C 320, C 350, C 200 CDI, C 220 CDI, C 270 CDI, C 320 CDI, (-) 4-Matic (+) <input type="checkbox"/> SP (-) <input type="checkbox"/> (-) <input type="checkbox"/> HD	05.00→ 07	742003SP	E4632 <sup>1</sup>		MK198 PK339				376040SP	E5108 <sup>1</sup>				<input type="checkbox"/>

**C KLASSE (CL203) Sportcoupé**

C 160 Kompr., C 180 Kompr., C 200 Kompr., C 220 CGi Kompr., C 230 Kompr., C 180, C 230, C 320, C 350, C 200 CDI, C 220 CDI, (-) <input type="checkbox"/> SP	03.01→ 05.08	742002SP	E4631 <sup>1</sup>		MK198 PK339				376045SP	E5111 <sup>1</sup>				<input type="checkbox"/>
C 160 Kompr., C 180 Kompr., C 200 Kompr., C 200 CGi Kompr., C 230 Kompr., C 180, C 230, C 320, C 350, C 200 CDI, C 220 CDI, (+) <input type="checkbox"/> SP	03.01→ 05.08	742003SP	E4632 <sup>1</sup>		MK198 PK339				376040SP	E5108 <sup>1</sup>				<input type="checkbox"/>

**C KLASSE (S203)**

C 180 Kompr., C 200 Kompr., C 180, C 240, C 320, C 200 CDI, C 220 CDI, C 270 CDI (-) <input type="checkbox"/> SP (-) <input type="checkbox"/> (-) <input type="checkbox"/> HD	01→ 07	742001SP	E4630 <sup>1</sup>	G8429	MK198 PK339				376034SP	E5098 <sup>1</sup>	43138			<input type="checkbox"/>
C 180 Kompr., C 200 Kompr., C 180, C 240, C 320, C 200 CDI, C 220 CDI, C 270 CDI (+) <input type="checkbox"/> SP (-) <input type="checkbox"/> (-) <input type="checkbox"/> HD	01→ 07	742003SP	E4632 <sup>1</sup>		MK198 PK339				376040SP	E5108 <sup>1</sup>				<input type="checkbox"/>

MC... =      MK... =      PK... =



	OESPECTRUM	REFLEX	ORIGINAL			OESPECTRUM	REFLEX	ORIGINAL		
	RIDESENSE	ADVENTURE				RIDESENSE	ADVENTURE	LEVELING		

### C KLASSE (W204) (S204)

C 180 CGi, C 200 CGi, C 230, C 250 CGi, C 300, C 350 CGi, C 180 CDi, C 200 CDi, C 220 CDi, C 250 CDi, C 350 CDi (+) (+/-) Kompressor (+/-) Blue Efficiency (-) 4-Matic (-)	01.07→01.14	742071SP	E4654 <sup>1</sup>		MK280 PK301		376039SP	E5117 <sup>1</sup>		MK377 PK340	
 (+)	01.07→01.14	C2508R 					C1510R 				
		C2509L 						C1511L 			
 (+)	01.07→01.14	C2508R 					C1508R 				
		C2509L 						C1509L 			

### CLA (C117) (X117)

CLA 180, CLA 250, CLA 180 CDi, CLA 200 CDi, CLA 220 CDi excl. Sport Edition & Comfort Susp. (-) (-) (=) (=)	01.13→			G8274 						43136	
				G8275 	PK383						

### CLK (C208)

CLK 200 Kompr., CLK 230 Kompr., CLK 200, CLK 320, CLK 430, (-)	97→ 02	376170SP	E5081 <sup>1</sup>		<b>!36</b>		376074SP	E5082 <sup>1</sup>		<b>!36</b>	
CLK 200 Kompr., CLK 230 Kompr., CLK 320 (+)	97→ 02	376121SP	E5052 <sup>1</sup>		<b>!36</b>		376069SP	E5053 <sup>1</sup>		<b>!36</b>	

### CLK (A208)

CLK 200 Kompr., CLK 230 Kompr., CLK 200, CLK 320	98→ 03	376170SP	E5081 <sup>1</sup>		<b>!36</b>		376069SP	E5053 <sup>1</sup>		<b>!36</b>	
--	--------	----------	--------------------	--	------------	--	----------	--------------------	--	------------	--

### CLK (C209)

CLK 200 Kompr., CLK 200, CLK 200 CGi, CLK 240, CLK 280, CLK 320, CLK 350, CLK 500, CLK 220 CDi, CLK 270 CDi, CLK 320 CDi (-) (-)	06.02→12.10	742001SP	E4630 <sup>1</sup>	G8429	<b>!36</b> MK198 PK339		376072SP	E5107 <sup>1</sup>		<b>!36</b>	
CLK 200 Kompr., CLK 200, CLK 200 CGi, CLK 240, CLK 280, CLK 320, CLK 350, CLK 500, CLK 220 CDi, CLK 320 CDi, CLK 270 CDi, (+) (-)	06.02→12.10	742003SP	E4632 <sup>1</sup>		<b>!36</b> MK198 PK339		376040SP	E5108 <sup>1</sup>		<b>!36</b>	

MC... =

MK... =

PK... =



	OESPECTRUM	REFLEX	ORIGINAL			OESPECTRUM	REFLEX	ORIGINAL		
	RIDESENSE	ADVENTURE				RIDESENSE	ADVENTURE	LEVELING		

**CLK (A209)**

CLK 200 Kompr., 06.02→03.10 CLK 200, CLK 200 CGi, CLK 240, CLK 280, CLK 320, CLK 350, CLK 500, CLK 320 CDi, (-) <input type="checkbox"/> SP (-) <input type="checkbox"/>	742001SP	E4630 <sup>1</sup>	G8429	<b>I36</b> MK198 PK339		376034SP	E5098 <sup>1</sup>	43138	<b>I36</b>	
CLK 200, CLK 200 CGi, 06.02→03.10 CLK 240, CLK 280, CLK 320, CLK 350, CLK 500, CLK 320 CDi (+) <input type="checkbox"/> SP (-) <input type="checkbox"/>	742003SP	E4632 <sup>1</sup>		<b>I36</b> MK198 PK339		376040SP	E5108 <sup>1</sup>		<b>I36</b>	

**CLS KLASSE (W218)**

CLS220, CLS250, 11→18 CLS350, CLS400, CLS500 (=) (4 x 2) (+) <input type="checkbox"/> ND (-) <input type="checkbox"/> HD (+) <input type="checkbox"/> SP (-) <input type="checkbox"/> (-) <input type="checkbox"/> (-) <input type="checkbox"/> (-) <input type="checkbox"/>				MK416						
--	--	--	--	-------	--	--	--	--	--	--

**E KLASSE (W124) (V124)**

E 200, E 220, E 280, E 320, 93→95 E 200 D, E 250 D, E 250 D Turbo, E 300 D, E 300 D Turbo (-) E 280 long - E 250 D long (V124) (-) E 420 (-) E 500 (-) 4-Matic		E4410 <sup>1</sup> AK217 <b>I49</b>	<b>G16507</b> AK217 <b>I49</b>	MK063 PK034			E5016 <sup>1</sup>	43071	<b>I36</b>	
E 280 long 93→95 E 500 E 250 D long		E4410 <sup>1</sup> AK217 <b>I49</b>	<b>G16507</b> AK217 <b>I49</b>	MK063 PK034			☉	☉		
E 300, 93→95 E 300 D Turbo (+) 4-Matic							E5016 <sup>1</sup>	43071	<b>I36</b>	

**E KLASSE (C124)**

E 200 C, E 220 C, E 320 C 06.93→07.96		E4410 <sup>1</sup> AK217 <b>I49</b>	<b>G16507</b> AK217 <b>I49</b>	MK063 PK034			E5016 <sup>1</sup>	43071	<b>I36</b>	
---------------------------------------	--	---	--------------------------------------	----------------	--	--	--------------------	-------	------------	--

**E KLASSE (A124)**

E 200, E 220, E 300, E 320 06.93→07.96				MK063			E5016 <sup>1</sup>	43071	<b>I36</b>	
--	--	--	--	-------	--	--	--------------------	-------	------------	--

**E KLASSE (S124)**

E 200, E 220, E 280, E 320, 06.93→06.96 E 250 D, E 300 D, E 300 D Turbo (-) 4-Matic		E4410 <sup>1</sup> AK217 <b>I49</b>	<b>G16507</b> AK217 <b>I49</b>	MK063 PK034			☉	☉		
--	--	---	--------------------------------------	----------------	--	--	---	---	--	--

MC... = MK... = PK... =





	OESPECTRUM	REFLEX	ORIGINAL			OESPECTRUM	REFLEX	ORIGINAL		
	RIDESENSE	ADVENTURE				RIDESENSE	ADVENTURE	LEVELING		

**E KLASSE (W210)**

<p>E 200, E 240, E 280, E 320, 07.95 → 03.02  E 420, E 430,  E 220 D, E 250 D, E 300 D,  E 250 TD, E 290 TD,  E 50 AMG  (+)   (-) E 300 TD  (-) Avantgarde  (-) 4-Matic  (-)   (-) </p>		E5067 <sup>1</sup>	43096			376077SP	E5068 <sup>1</sup>	43097	!36	
<p>E 230, 07.95 → 03.02  E 200 CDi, E 220 CDi,  E 270 CDi, E 320 CDi,  E 250 D (=)   (+)   (-) Avantgarde  (-) 4-Matic  (-)   (-) </p>		E5067 <sup>1</sup>	43096				E5073 <sup>1</sup>	G43140	!36	
<p>E 250 D 95 → 02  (+)   (=)   (-) Avantgarde  (-) 4-Matic  (-)   (-) </p>		E5067 <sup>1</sup>	43096				E5073 <sup>1</sup>	G43140	!36	
<p>E 50 AMG, E 200, E 230, 07.95 → 03.02  E 240, E 280, E 320, E 420,  E 430,  E 220 D, E 300 D, E 220 CDi,  E 250 D, E 250 TD, E 270 CDi,  E 290 TD, E 320 CDi  Avantgarde  (-) 4-Matic  (-) </p>		E5071 <sup>1</sup>	G43148				E5072 <sup>1</sup>	G43149	!36	
<p>E 50 AMG, E 200, E 230, 07.95 → 03.02  E 240, E 280, E 320, E 420,  E 430  E 220 D, E 300 D, E 220 CDi,  E 250 D, E 250 TD, E 270 CDi,  E 290 TD, E 320 CDi  (+)   (-) 4-Matic  (-) </p>		E5069 <sup>1</sup>					E5070 <sup>1</sup>		!36	

**E KLASSE (S210) (T210)**

<p>E 200, E 230, E 240, E 280, 96 → 03  E 320, E 420, E 430,  E 250 D, E 220 CDi,  E 270 CDi, E 320 CDi,  E 250 TD, E 290 TD, E 300 TD  (-)   (-)   (-)   (-) Avantgarde  (-) 4-Matic</p>		E5067 <sup>1</sup>	43096							
<p>E 200, E 230, E 240, E 280, 96 → 03  E 320, E 420, E 430, E 250 D,  E 220 CDi, E 270 CDi,  E 320 CDi, E 250 TD,  E 290 TD, E 300 TD,  (+)   (-) Avantgarde  (-) 4-Matic  (-)   (-) </p>		E5069 <sup>1</sup>								

MC... = MK... = PK... =

MERCEDES



	OESPECTRUM	REFLEX	ORIGINAL			OESPECTRUM	REFLEX	ORIGINAL		
	RIDESENSE	ADVENTURE				RIDESENSE	ADVENTURE	LEVELING		

<p>E 200, E 230, E 240, E 280, E 320, E 420, E 430, E 250 D, E 220 CDi, E 270 CDi, E 320 CDi, E 250 TD, E 290 TD, E 300 TD</p> <p>96→ 03</p> <p>Avantgarde (-) 4-Matic (-) </p>		E5071 <sup>1</sup>	G43148							
---	--	--------------------	--------	--	--	--	--	--	--	--

**E KLASSE (W211)**

<p>E 200 Kompr., E 200 NGT, E 200 CGi, E 240, E 280, E 320, E 350, E 500, E 200 CDi, E 220 CDi, E 270 CDi, E 280 CDi, E 320 CDi, E 400 CDi</p> <p>04.02→ 12.08</p> <p>(+) Classic &amp; Standard Susp. (+) Classic &amp; Comfort Susp. (+) Elegance (+) Avantgarde &amp; Comfort Susp. (-)  (-) ADC  (-) 4-Matic</p>	376035SP	E7501 <sup>1</sup>	43137	MK325 PK303		376038SP	E5113 <sup>1</sup>	43139			
<p>E 200 Kompr., E 200 NGT, E 200 CGi, E 240, E 280, E 320, E 350, E 500, E 200 CDi, E 220 CDi, E 270 CDi, E 280 CDi, E 320 CDi, E 400 CDi</p> <p>04.02→ 12.08</p> <p>(+) Avantgarde &amp; Standard Susp. (+) Avantgarde &amp; Sport Susp. (+) Classic &amp; Sport Susp. (-)  (-) ADC  (-) 4-Matic</p>	376035SP	E7501 <sup>1</sup>	43137	MK325 PK303		376043SP	E5114 <sup>1</sup>				

**E KLASSE (S211)**

<p>E 200 Kompr., E 200 NGT, E 240, E 280, E 320, E 350, E 500, E 200 CDi, E 220 CDi, E 270 CDi, E 280 CDi, E 320 CDi</p> <p>04.03→ 07.09</p> <p>(+) Classic &amp; Standard Susp. (+) Classic &amp; Comfort Susp. (+) Elegance (+) Avantgarde &amp; Standard Susp. (+) Avantgarde &amp; Comfort Susp. (-)  (-) ADC  (-) 4-Matic</p>	376035SP	E7501 <sup>1</sup>	43137	MK325 PK303		376200SP	E1346 <sup>1</sup>				
<p>E 200 Kompr., E 200 NGT, E 240, E 280, E 320, E 350, E 500, E 200 CDi, E 220 CDi, E 270 CDi, E 280 CDi, E 320 CDi</p> <p>04.03→ 07.09</p> <p>(+) Classic &amp; Sport Susp. (+) Avantgarde &amp; Sport Susp. (-)  (-) ADC  (-) 4-Matic</p>	376035SP	E7501 <sup>1</sup>	43137	MK325 PK303		376206SP	E1350 <sup>1</sup>				

MC... =      MK... =      PK... =



	OESPECTRUM	REFLEX	ORIGINAL		OESPECTRUM	REFLEX	ORIGINAL	
	RIDESENSE	ADVENTURE			RIDESENSE	ADVENTURE		

### E KLASSE (W212)

<p>E 200, E 250, E 300, E 350, 01.09→12.15 E 500, E 200 CDi, E 220 CDi, E 250 CDi, E 300 CDi, E 350 CDi (=) (4 x 2) (+)  (+)  (-)  (-)  (-)  (-) </p>	742129SP			MK416		376047SP	E5120 <sup>1</sup>		MK377	
	<p>E 200, E 250, E 300, E 350, 01.09→12.15 E 500, E 200 CDi, E 220 CDi, E 250 CDi, E 300 CDi, E 350 CDi (=) (4 x 4) (+)  (+)  (-)  (-)  (-)  (-) </p>				MK416		376047SP	E5120 <sup>1</sup>		MK377

### E KLASSE (S212)

<p>E 200, E 250, E 300, E 350, 01.09→05.16 E 500, E 200 CDi, E 220 CDi, E 250 CDi, E 300 CDi, E 350 CDi (=) (4 x 2) (+)  (+)  (-)  (-)  (-)  (-) </p>	742129SP			MK416					MK377	
	<p>E 200, E 250, E 300, E 350, 01.09→05.16 E 500, E 200 CDi, E 220 CDi, E 250 CDi, E 300 CDi, E 350 CDi (=) (4 x 4) (+)  (+)  (-)  (-)  (-)  (-) </p>				MK416					MK377

### E KLASSE (C207)

<p> 01.09→12.16 (+)  (-) </p>	C2508R 					C1527R 				
	C2509L 					C1528L 				

### E KLASSE (A207)

<p> 01.09→06.17 (+)  (-) </p>	C2508R 					C1529R 				
	C2509L 					C1530L 				

MC... =      MK... =      PK... =

MERCEDES



	OESPECTRUM	REFLEX	ORIGINAL			OESPECTRUM	REFLEX	ORIGINAL		
	RIDESENSE	ADVENTURE				RIDESENSE	ADVENTURE	LEVELING		

**G KLASSE**

<b>230 G, 230 GE, 280 GE,</b> <b>240 GD, 250 GD, 300 GD</b> (W460) (=) (4 x 4)	03.79 → 12.93		D6630							
<b>230 GE, 300 GE, 250 GD,</b> <b>300 GD, 350 GD</b> (W463) (=) (4 x 4)	01.90 →		D6636							
							D6631			
							D6637			

**GLA KLASSE (X156)**

<b>GLA 180, GLA 200,</b> <b>GLA 250,</b> <b>GLA 180 CDi, GLA 200 CDi,</b> <b>GLA 220 CDi</b> excl. GLA45 AMG (-) (-) (=) <input type="checkbox"/> ND	12.13 →				PK383			43136		
---	---------	--	--	--	-------	--	--	-------	--	--

**GLK KLASSE (X204)**

<b>GLK 280, GLK 300,</b> <b>GLK 350,</b> <b>GLK 200 CDi, GLK 220 CDi,</b> <b>GLK 250 CDi, GLK 320 CDi,</b> <b>GLK 350 CDi</b> (+/-) 4-Matic (-) <input type="checkbox"/> SP (-) <input type="checkbox"/> HD (+/-) (-)	06.08 → 14		D0413					D2654	MK377	
--	------------	--	-------	--	--	--	--	-------	-------	--

**MB SERIES**

<b>MB 90, MB 100, MB 120</b> (=) ORIG <input type="checkbox"/> E	02.88 → 02.96			V1051				V2042		
---	---------------	--	--	-------	--	--	--	-------	--	--

**M KLASSE (W163)**

<b>230, 320, 430, 350, 500,</b> <b>270 CDi</b> → ch.no. A093893 (-) 55 AMG <b>400 CDi</b> → ch.no. A093893 (=) (4 x 4)	98 → 05		D8018							
<b>230, 320, 430, 350, 500,</b> <b>270 CDi</b> ch.no. A093894 → (-) 55 AMG <b>400 CDi</b> ch.no. A093894 → (=) (4 x 4)	98 → 05		D8018					D8082		

**M KLASSE (W164)**

<b>ML 350, ML 500, ML</b> <b>280 CDi,</b> <b>ML 300 CDi, ML 320 CDi,</b> <b>ML 350 CDi,</b> <b>ML 420 CDi, ML 450 CDi</b> (-)	07.05 → 06.12							D8081		
--	---------------	--	--	--	--	--	--	-------	--	--

**S KLASSE (W126)**

<b>280 S, 280 SE, 280 SEL,</b> <b>380 SE, 380 SEL, 500 SE,</b> <b>500 SEL,</b> <b>300 SD Turbo Diesel</b>	80 → 85		E5017 <sup>1</sup>	43009				E5306 <sup>1</sup>	53005	136	
<b>260 SE, 300 SE, 300 SEL,</b> <b>420 SE, 420 SEL, 500 SE,</b> <b>500 SEL, 560 SEL</b>	85 → 91										

MC... =     
 MK... =     
 PK... =



	OESPECTRUM	REFLEX	ORIGINAL			OESPECTRUM	REFLEX	ORIGINAL		
	RIDESENSE	ADVENTURE				RIDESENSE	ADVENTURE	LEVELING		

### S KLASSE (W126), (C126)

380 SEC, 500 SEC	81 → 85		E5017 <sup>1</sup>	43009			E5306 <sup>1</sup>	53005	I36	
420 SEC, 500 SEC, 560 SEC	85 → 92									

### S KLASSE (W140)

300 SE, 300 SEL 400 SE, 400 SEL 500 SE, 500 SEL	02.91 → 93									
S 280, S 320, S 420, S 500, S 300 Turbo Diesel, S 350 Turbo Diesel	93 → 12.99			43087				53015	I36	
(-) (-) HD										
(-) (-) HD										
S 600	09.91 → 10.98			43087			∅	∅		
(-) (-) HD										

### S KLASSE (C140)

500 SEC, 600 SEC	01.91 → 05.93			43087						
(-) (-) HD										
CL 420, CL 500, CL 600, S 420, S 500, S 600	09.92 → 12.99			43087				53015	I36	
(-) (-) HD										

### S KLASSE (V140)

S 320, S 320 L S 420, S 420 L S 500, S 500 L S 600, S 600 L	93 → 99			43087				∅	∅	
(-) HD (-)										

### SL KLASSE (R107), (C107)

280 SL, 280 SLC	74 → 85									
300 SL	85 → 89									
380 SL, 380 SLC	80 → 85									
350 SL, 350 SLC	71 → 81			43001						
420 SL	85 → 89						E5306 <sup>1</sup>	53005	I36	
450 SL, 450 SLC	74 → 81									
500 SL, 500 SLC	80 → 89									

### SL KLASSE (R129)

SL 280, SL 320, SL 500 300 SL, 300 SL-24	06.93 → 12.03			16705		I36				
ch.no. F054768 → (-) SL 600										

### SLK KLASSE (R170)

200, 200 K, 230 K	09.96 → 01.04		E5083 <sup>1</sup>	G43141				G43142		
-------------------	---------------	--	--------------------	--------	--	--	--	--------	--	--

### SLK KLASSE (R171)

SLK 200 K, SLK 300, SLK 350	03.04 → 02.11		E4656 <sup>1</sup>				376051SP	E5118 <sup>1</sup>		
(-) SP										

MC... =      MK... =      PK... =

MERCEDES



<b>MONROE</b>	OESPECTRUM	REFLEX	ORIGINAL			OESPECTRUM	REFLEX	ORIGINAL		
	RIDESENSE	ADVENTURE				RIDESENSE	ADVENTURE	LEVELING		

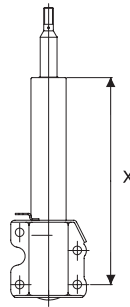
**SLK KLASSE (R172)**

	02.11→	C2519R								
		C2520L								
		C1525R								
		C1526L								

**SPRINTER**

200 Series (B 901, B 902) 300 Series (B 903) 400 Series (B 904)	95→ 06			V4503	<b>167</b> MK277 PK123			V1116		
				V4507						
3 T, 3,5 T (B 906) (=) (4 x 2)	06→ 18			V4510	MC114 MK287 PK302			V1177		
5 T (B 906) (=) (4 x 2)	06→ 18			V4511	MC114 MK287 PK302			V1178		
500 Series (B 906)	06→ 18							V1188		

**167**



X=319,5 : V4503  
OE  
901 320 02 30 901 320 18 30 903 320 02 30  
901 320 03 30 901 320 20 30 903 320 03 30  
901 320 08 30 901 320 21 30 903 320 05 30  
901 320 13 30 901 320 22 30 2D0 413 029  
901 320 14 30 901 320 29 30 2D0 413 029 B  
901 320 15 30 903 320 01 30

X=345,5 : V4507  
OE  
904 320 07 30 904 320 16 30 904 320 25 30  
904 320 08 30 904 320 18 30 904 320 26 30  
904 320 13 30 904 320 19 30 2D0 413 029 A  
904 320 14 30 904 320 23 30

**V KLASSE (W638)**

V Klasse (+)	08.96→ 07.03			G16727	MK112 PK006			43127		
-----------------	--------------	--	--	--------	----------------	--	--	-------	--	--

**V KLASSE (W447)**

	03.14→							V5008		
--	--------	--	--	--	--	--	--	-------	--	--

**VANEO (V414)**

1.6, 1.9, 1.7 CDi	10.01→ 11.05				MK150 <b>153</b>			43131		
----------------------	--------------	--	--	--	---------------------	--	--	-------	--	--

**153**

MK150 = MK + PK

**VARIO**

507D, 508D Type 667.001, .002, .302, .341, 510, 512 Type 667.061, .062, .361, .362								V1190		
613D, 614D . Type 669.599, 669.899 814 DA Type 670.411, .412, .464, .465 (=) (4x4)				V2145				V1189		

MC... =      MK... =      PK... =



	OESPECTRUM	REFLEX	ORIGINAL			OESPECTRUM	REFLEX	ORIGINAL		
	RIDESENSE	ADVENTURE				RIDESENSE	ADVENTURE	LEVELING		

**VIANO (W639)**

3.0, 3.2, 3.7, 2.0 CDi (80 kW, 85 kW), 2.2 CDi (110 kW), 3.0 CDi (150 kW) (=) (4 x 2) (+/-)	09.03 → 06.10			G8403	PK366			V5007		Oil
3.5 → ch.no. 3603471 (=) (4 x 2) (+/-)	09.07 → 06.10			G8403	PK366			V5007		Oil
3.5 ch.no. 3603472 → (=) (4 x 2) (+/-)	07.10 → 07.14			V4516	PK366			V5007		Oil
2.0 CDi (100 kW), 2.2 CDi (120 kW), 3.0 CDi (165 kW) (=) (4 x 2) (+/-)	07.10 → 07.14			V4516	PK366			V5007		Oil
2.0 CDi 4-Matic, 2.2 CDi 4-Matic (=) (4 x 4) (+/-)	07.05 → 07.14				PK366			V5007		Oil

**VITO (W638)**

638	11.95 → 07.03			V4301	MK112 PK006			V1501		Oil
-----	---------------	--	--	-------	----------------	--	--	-------	--	-----

**VITO Bus, Familiar, VITO Mixto, Van (W639)**

119, 122, 123, 109 CDi, 111 CDi, 115 CDi, 120 CDi 126 (3.5) → ch.no. 3603471 (=) (4 x 2) (+/-)	09.03 → 08.10			G8403	PK366			V5007		Oil
109 CDi, 110 CDi, 111 CDi, 113 CDi, 115 CDi, 116 CDi, 120 CDi, 122 CDi 126 (3.5) ch.no. 3603472 → (=) (4 x 2) (+/-)	09.10 → 08.14 08.10 → 08.14			V4516	MK435 PK366			V5007		Oil
109 CDi, 111 CDi, 113 CDi, 115 CDi, 116 CDi ch.no. 3603472 → (=) (4 x 4) (+/-)	09.07 → 08.14				MK435 PK366			V5007		Oil

**VITO (W447)**

	09.14 →				MK435			V5008		Oil
--	---------	--	--	--	-------	--	--	-------	--	-----

**W107** **SL-Series**

230 SL	63 → 66							R2030	!36	Oil
250 SL	67 → 81									
280 SL	68 → 71									

**W108, W109, W111** **S-Series**

250 S, 250 SE	65 → 08.72									
300 SE, 300 SEL	65 → 67									
280 S, 280 SE, 280 SEL	68 → 08.72			R2029				R2030	!36	Oil
220 B, 220 SE, 220 SB, 220 SEB	60 → 65									

MC... =      MK... =      PK... =

MERCEDES



	OESPECTRUM	REFLEX	ORIGINAL			OESPECTRUM	REFLEX	ORIGINAL		
	RIDESENSE	ADVENTURE				RIDESENSE	ADVENTURE	LEVELING		

**W110**

170, 170 DA, 170 DE, 170 VA, 170 VB								R1014		
190 C, 190 DC	62→ 65			R2029				R2030		
200, 230, 200 D	65→ 67									

**W110** **Universal Kombi**

190 C, 190 Dc	61→ 65			R2029						
200, 230, 230 S, 200 D	65→ 67									

**W111** **S-Series**

220 SEB, 250 SE, 280 SE	61→ 71			R2029				R2030	I36	
280 SE	69→ 71									

**W114, W115 Universal Kombi, W116** **S-Series**

230/6	01.68→ 76									
230/4, 240 D, 240 D 3.0	73→ 78									
200, 220, 200 D, 220 D	01.68→ 78			43001				53005	I36	
250 280 E 250 C, 250 CE 280 C, 280 CE	73→ 76									
220 D	68→ 79									
240 D	73→ 77			43001			∅	∅		
(=)										
280 S, 280 SE, 280 SEL, 350 SE 450 SE, 450 SEL	08.72→ 07.80			43009				53005	I36	

**MERCEDES BENZ COMMERCIALS**

**BUS**

O 309, O 319 B, O 319 D			V2017					V2017		
			1300018M	⊕						
O 303 O 302 Type 201, 202, 206, 207, 211, 212, 220, 222, 230 Type 231, 232, 240, 241, 250, 251, 252, 261, 262 Type 270, 271, 272, 280, 281, 282, 290, 291, 292 O 305 E City Bus O 305 G O 307 Type 050, 051, 055, 307										
			1300018M	⊕						

**UNIMOG**

U 34/411, U 40/421, U 45/421			V2038					V2038		
U 54/403, U 66/403, U 70/406, U 80/416, U 90/416, U 100/ 416, 404 S			V2058					V2058		

MC... = MK... = PK... =





	OESPECTRUM	REFLEX	ORIGINAL		OESPECTRUM	REFLEX	ORIGINAL	
	RIDESENSE	ADVENTURE			RIDESENSE	ADVENTURE	LEVELING	

MB Track 65/70 MB Track 700/800			V2058		OIO				
------------------------------------	--	--	-------	--	-----	--	--	--	--

L 207 D, L 208, L 209 D, L 210 Type 601 308, 310, L 307 D, L 309 D Type 602			V1036		OIO		V1066		OIO
L 319 D, L 319 B, L 405, 61→ L 406, L 406 D, L 408, L 409 Type 309			V2017		OIO		V2017		OIO
L 407 D, L 409 D, L 410 Type 611			V1112		OIO		V1113		OIO
L 408 G, L 409, L 410 Type 309.000→.026									
LK 408 G, LK 409, LK 410 Type 309.040, .041, .044									
LKO 406 DG, LKO 407 D Type 309.130→.135									
LKO 408 G, LKO 409 Type 309.030→.035			V1095		OIO		V1095		OIO
LF 408 G Type 309.054, .055									
L 408 DG Type 309.300→.303 .311→.316 .324→.326									

LF 408 G, LF 409, LF 410 ch.no. 309056..148037→309056..185439 ch.no. 309059..148037→309059..185439 ch.no. 309050..148037→309050..526086			V1095		OIO				OIO
LF 408 G, LF 409, LF 410 ch.no. 309050..005094→ 309050..148036 ch.no. 309050..526087→			V1095		OIO		V1095		OIO

LT 608 D Type 310.100			V1095		OIO				
-----------------------	--	--	-------	--	-----	--	--	--	--

609 D → 2.87 Type 668.001, .002, .003 .041, .042 Type 668.061, .062, .063									
709 D Type 669.001, .002, .003, .041, .042 Type 669.061, .062, .063			V1089		OIO		V2302		OIO
711 D Type 669.302, .303, .362, .363									
609 D 3.87→ Type 668 .001, .002, .003, .041, .042 Type 668.061, .062, .063									
709 D Type 669.001, .002, .003, .041, .042 Type 669 .061, .062, .063			V1089		OIO		V2303		OIO
711 D Type 669.302, .303, .362, .363									
614 D			V1089		OIO				

MC... = MK... = PK... =

MERCEDES



<b>MONROE</b>	OESPECTRUM	REFLEX	ORIGINAL			OESPECTRUM	REFLEX	ORIGINAL		
	RIDESENSE	ADVENTURE				RIDESENSE	ADVENTURE	LEVELING		

<b>609 D, 611 D, 614 D</b> 			V1089							
<b>809 D</b> Type 670.001, .002, .003, .041, .042 → 2.87										
Type 670.061, .062, .063			V1089				V2302			
<b>811 D</b> Type 670.302, .303, .362, .363										
<b>809 D</b> Type 670 .001, .002, .003, .041, .042 3.87→										
Type 670.061, .062, .063										
Type 669.001, .002, .003, .041, .042			V1089				V2303			
Type 690.061, .062, .063										
<b>811 D</b> 										
Type 670 .302, .303, .362, .363										
<b>L 613 D</b> Type 313			V1095				V1095			

<b>809 DT</b>							V2303			
---------------	--	--	--	--	--	--	-------	--	--	--

## MG

### MG F

<b>1.6 16 V, 1.8 16 V, 1.8 VVC 16 V</b> 04.95→03.02			R1646				R1647			
---	--	--	-------	--	--	--	-------	--	--	--

### MG ZR

<b>1.4, 1.8, 2.0</b> 01→05				PK381					PK360	
----------------------------	--	--	--	-------	--	--	--	--	-------	--

## MINI AUSTIN, ROVER → AUSTIN, ROVER

## MINI

### MINI COOPER, MINI ONE

<b>Cooper, Cooper S, One, One D</b> 09.01→03.02 R50, R52, R53 (+/-)			∅	∅			<b>376046SP</b>	E1325 <sup>1</sup>	<b>23989</b>		
<b>Cooper, Cooper S, One, One D</b> 03.02→10.06 R50, R52, R53 (+/-)	<b>742077SP</b> 	E7040 <sup>1</sup> (E7040R E7041L)	<b>G16493</b> 	<b>G16494</b> 	MK197 PK004		<b>376046SP</b>	E1325 <sup>1</sup>	<b>23989</b>		
<b>Cooper, Cooper D, One, One D, Cooper S</b> 10.06→12.14 R56, R57 (+/-)	<b>742049SP</b> 	E7082 <sup>1</sup> (E7082R E7083L)	<b>G8095</b> 	<b>G8096</b> 	MK359 PK004		<b>376050SP</b>	E1363 <sup>1</sup>	<b>G1086</b>		
	<b>742050SP</b> 										

### MINI COUNTRYMAN, PACEMAN

<b>1.6, 1.6 d, 2.0 d</b> 06.10→10.16 R60, R61					MK359				<b>G7607</b>		
--	--	--	--	--	-------	--	--	--	--------------	--	--

MC... =      MK... =      PK... =



	OESPECTRUM	REFLEX	ORIGINAL			OESPECTRUM	REFLEX	ORIGINAL		
	RIDESENSE	ADVENTURE				RIDESENSE	ADVENTURE	LEVELING		

**MINI CLUBMAN**

1.4 One, 1.6 One, 1.6 Cooper, 1.6 Cooper S, 1.6 S JCW, 1.6 One D, 1.6 Cooper D, 2.0 Cooper D, 2.0 Cooper SD R55 (+/-)	09.07 → 12.15	742049SP 	E7082 <sup>1</sup> (E7082R E7083L)	G8095 	MK359 PK004		376050SP	E1363 <sup>1</sup>	G1086	
	742050SP 	G8096 								

**MITSUBISHI**

**ASX/RVR/OUTLANDER SPORT**

2.0, 1.8 TD, 2.0 TD	2.10 →				MK333 PK342					
------------------------	--------	--	--	--	----------------	--	--	--	--	--

**CANTER**

FB, FE	09.93 → 12.05			V1084					V1085	
--------	---------------	--	--	-------	--	--	--	--	-------	--

**CARISMA**

1.6, 1.6 16V, 1.9 TD	05.95 → 04.97			G16286 	MC212 MK245 MK389 PK044				23827	PK081	
	1.6 16V, 1.9 TD	05.97 → 02.99									
1.8, 1.8 GDi (-) MSX	05.95 → 02.99			16688 	MC212 MK245 MK389 PK044				23827	PK081	
				16689 							
1.6 16V, 1.8, 1.8 GDi, 1.9 TD (-)	03.99 → 06.06			G16768 	MC212 MK245 MK389 PK044				23907	PK081	
				G16769 							

**CELESTE**

1400, 1600, 2000 A72, A73, A78	75 → 81								R1014	
-----------------------------------	---------	--	--	--	--	--	--	--	-------	--

**COLT GALANT**

1300, 1500 A51, A52, A53, A54V	69 → 73								R1000	
-----------------------------------	---------	--	--	--	--	--	--	--	-------	--

**COLT/MIRAGE MKI**

1200, 1400	78 → 12.83			MR977					23442	
Turbo A152A	06.80 → 12.83								23442	

**COLT MK II**

1200 C15 1300 C11 1500 C12 1600 Turbo 1800 D C14 (-)	06.86 → 88			11103	MC212 PK042					
---	------------	--	--	-------	----------------	--	--	--	--	--

**COLT MK III**

C 50 Series (+/-) Van	05.88 → 11.91			G16555	MC212 MK109 PK043				R3758	
--------------------------	---------------	--	--	--------	-------------------------	--	--	--	-------	--

MC... =      MK... =      PK... =

MITSUBISHI



	OESPECTRUM	REFLEX	ORIGINAL			OESPECTRUM	REFLEX	ORIGINAL		
	RIDESENSE	ADVENTURE				RIDESENSE	ADVENTURE	LEVELING		

**COLT MK IV**

1.3 GL	CA1AMNDR...	12.91→05.95		E4249 <sup>1</sup> (E4249R E4250L)	11170	MC212 MK091			E1038 <sup>1</sup>	23784	
1.3 GLi	CA1AMNDE...										
1.3 ELi	CA1AMNME...	12.94→05.95									
1.6	CA4A...	12.91→12.96									
1.6	CC4	9.94→12.96			11171						
(=) (4 x 4)											
1.3 GL	CA1AMNDR...	06.95→12.96							E1038 <sup>1</sup>	23784	
1.3 GLi	CA1AMNDE...										
1.3 ELi	CA1AMNME...										
1.3 GLXi	CA1AMNJE...	12.94→12.96									
1.8 GTi	CA5	12.91→12.96				MK091			E1038 <sup>1</sup>	23784	

**COLT MK V**

1.3	CJ1	11.95→6.97		E4353 <sup>1</sup> (E4353R E4354L)	G16246	MC212 MK245			E1038 <sup>1</sup>	23784	
1.5	CJ2										
1.6	CJ4				G16247						
(-)											
1.3	CJ1	6.97→6.03			G16379	MC212 MK245			E1038 <sup>1</sup>	23784	MK175
1.5	CJ2	6.97→5.00									
1.6	CJ4	6.97→6.03			G16380						
(-)											

**COLT MK VI**

1.1, 1.3, 1.5, 1.5 Di-D	Z3#	04.04→12.12			G7365	MK366				G1099	PK304	
(-)												
(-)					G7366							

**CORDIA, TREDIA**

Tredia 1400	A211A	03.85→87				MC212				23442	
Tredia 1500	A214										
Cordia, Tredia 1600	A212A										
Cordia, Tredia 1600 Turbo	A212	82→87									
Cordia, Tredia 1800 Turbo	A213										
(=) (4 x 2)											
Tredia 1800	A213	03.85→87									
(=) (4 x 4)											

**ECLIPSE**

2000	D32A	96→99			R3878					R3877		
		00→05			72147ST							
					72148ST							

MC... =      MK... =      PK... =



	OESPECTRUM	REFLEX	ORIGINAL			OESPECTRUM	REFLEX	ORIGINAL		
	RIDESENSE	ADVENTURE				RIDESENSE	ADVENTURE	LEVELING		

**GALANT, SIGMA, LAMBDA, SAPPORO**

1600 EL, GL, GLX E11 1800 Turbo E11 2000 GLS E15 2000 Turbo E15 2400 GLS E16 1800 GL, GLX E14 Turbo Diesel E14 (-) (-)	E11 E11 E15 E15 E16 E14 E14	84 → 09.87				PK044			R3742			
1600 E31A 1800 E32A 2000 E33A 1800 TD E34A (=) (4 x 2) (-) (-) 4 WS	E31A E32A E33A E34A	10.87 → 93		11534		MC212 MK165 PK044			R3742	MK175		
1.8 E52 2.0 TD E57 2.0 E54-E55-E57-E75 (+/-) 4 WS (-) 2.5 V 6 (E88) (-) (-)	E52 E57 E54-E55-E57-E75	93 → 97		R3811				E1087 <sup>1</sup>	R3801	MK175		
2.0 EA2A 2.5 EA5A 2.0 TD EA6A 2.4 GDi	EA2A EA5A EA6A EA6A	10.96 → 04	376142SP	E1215 <sup>1</sup>	R3887	MK433		376123SP	E1213 <sup>1</sup>	R3885	MK434 I36	

**GALANT, SIGMA, LAMBDA, SAPPORO**

1600 A112V 1600, 1850, 2000 A121V, A123V 1600, 2000 A161V, A163V 2300 Turbo D A167V	A112V A121V, A123V A161V, A163V A167V	73 → 76 76 → 80 80 → 84 83 → 84							R1000			
2.0 EA2W 2.5 EA5W 2.0 TD EA6W 2.4 GDi EA6W	EA2W EA5W EA6W EA6W	10.96 → 04	376142SP	E1215 <sup>1</sup>	R3887			376123SP	E1213 <sup>1</sup>	R3885	I36	

**GRANDIS**

2.4 NA4W 2.0 D NA8W (-)	NA4W NA8W	06.03 → 12.11			G8145  G8146 				G1123			
-------------------------------	--------------	---------------	--	--	------------------------	--	--	--	-------	--	--	--

**L200**

1600 K11T 2000 K12T 2000 K62T 2500 D K14T 2500 D K64T (=) (4 x 2)	K11T K12T K62T K14T K64T	86 → 96		V1109					V1012			
2000 K22T 2500 D K24T 2000 K32T 2600 K33T 2500 TD K34T (=) (4 x 4)	K22T K24T K32T K33T K34T	86 → 96		D2653					D8902			
2400 K75T 2500 TD K74T (=) (4 x 4)	K75T K74T	96 → 06		D4482					D7703			

MC... =      MK... =      PK... =

MITSUBISHI



<b>MONROE</b>	OESPECTRUM	REFLEX	ORIGINAL			OESPECTRUM	REFLEX	ORIGINAL		
	RIDESENSE	ADVENTURE				RIDESENSE	ADVENTURE	LEVELING		

**L200**

2.5 D KB4T 11.05→12.15 (=) (4 x 4)		D8975					D8950			
---------------------------------------	--	-------	--	--	--	--	-------	--	--	--

**L300**

1600  L032P, L062P → 10.86 1600  L032P 2300 D  L068P 2300 D    L038P (=) (4 x 2)		V1038					V1002			
1600  L032P → 10.86 (=) (4 x 2) 1800   L035G 04.83→10.86 2000   L037G 05.85→10.86		V1038					R1000			
1600  L032P 11.86→ 2500 D  L039P (=) (4 x 2)		V1038					V2502			
1600  P02V, P12V 02.86→ 06 2000  P03V, P13V 2000  P03W 2500 D  P05V, P15V 2500 D  P05W (=) (4 x 2)		V1042					V2502			
2000  P23V, P24V 11.86→05.03 2000  P23W 2400 D  P24W (=) (4 x 4)							V1029			

**L400**

2000 (PA 3 V, PB 3 V) 12.94→06.05 2500 (PA 5 V, PB 5 V) (=) (4 x 2) (=)		R3464					V1148			
--	--	-------	--	--	--	--	-------	--	--	--

**LANCER MK I**

1200 A75 73→02.79 1400 A72 1600 A73 2000 A70, A71 							R1014			
1400 A71, A72, A75 73→02.79 							R1004			

**LANCER "F" MK I**

1200 A155A 04.82→01.84 1400 A156A		MR977					23442			
--------------------------------------	--	-------	--	--	--	--	-------	--	--	--

**LANCER MK III**

1200 C15 06.86→ 88 1500 C12 1800 D C14 (-)		11103	MC212 PK042							
---	--	-------	----------------	--	--	--	--	--	--	--

MC... = MK... = PK... =



	OESPECTRUM	REFLEX	ORIGINAL			OESPECTRUM	REFLEX	ORIGINAL		
	RIDESENSE	ADVENTURE				RIDESENSE	ADVENTURE	LEVELING		

### LANCER MK III (4 x 2)

1500 1800 D	C12V C14V	84 → 05.86				MC212 MK108				G21041			O/O
1500 1800 D	C12V C14V	06.86 → 88				11103	MC212			G21041			O/O
(-)													
1500 (=)	C12V	06.86 → 88					MC212			G21041			O/O

### LANCER MK IV

C 60 Series		89 → 92				G16555	MC212 MK109 PK043			R3758			O/O
-------------	--	---------	--	--	--	--------	-------------------------	--	--	-------	--	--	-----

### LANCER MK V

1.3 GL	CB1ASNDR...	12.91 → 05.95											
1.3 GLi	CB1ASNDE...	05.92 → 05.95				11170							
1.3 ELi	CB1ASNME...												
1.5 GLX	CB2ASKJR...	12.91 → 05.95				E4249 <sup>1</sup> (E4249R E4250L)	MC212 MK091			E1038 <sup>1</sup>	23784		O/O
1.6	CA4A...												
1.6 (=) (4 x 4)	CD4	05.92 → 11.93				11171							
2.0 D	CB8A...	05.92 → 12.96											
1.3 GL	CB1ASNDR...	06.95 → 10.96								E1038 <sup>1</sup>	23784		O/O
1.3 GLi	CB1ASNDE...												
1.3 ELi	CB1ASNME...												
1.3 GLXi	CB1ASNJE...	12.94 → 12.96											
1.5 GLX	CB2ASKJR...	06.95 → 10.96											
1.8 GTi	CB5	05.92 → 12.96					MC212 MK091			E1038 <sup>1</sup>	23784		O/O

### LANCER MK V (4 x 2)

1600 2000 D	CB4W CB8W	06.92 → 06.03				E4249 <sup>1</sup> (E4249R E4250L)	11170						
(=) (4 x 2)							11171			E1055 <sup>1</sup>			O/O
							MC212						

### LANCER MK VI (4 x 4)

1.3 1.5	CK1 CK2	11.95 → 6.97				E4353 <sup>1</sup> (E4353R E4354L)	G16246						
(-) 2000 T							G16247			E1038 <sup>1</sup>	23784		O/O
(-)													
1.3 1.5	CK1 CK2	6.97 → 6.03					G16379						
1.6	CK4	12.97 → 6.03					G16380			E1038 <sup>1</sup>	23784		O/O
(-) 2000 T													
(-)													

### LANCER MKVII (CS\_A, CS\_W) (4 x 2)

1.3 1.6 2.0	CS1A CS3A, CS3W CS9A, CS9W	06.03 → 03.07				72142ST							
(+)							PK305			71379ST			O/O

MC... =      MK... =      PK... =

MITSUBISHI



	OESPECTRUM	REFLEX	ORIGINAL			OESPECTRUM	REFLEX	ORIGINAL		
	RIDESENSE	ADVENTURE				RIDESENSE	ADVENTURE	LEVELING		

**LANCER MKVIII (CY\_A), LANCER SPORTBACK (CX\_A)**

1.5, 1.6, 1.8, 2.0, 1.8 DiD, 04.07→ 2.0 DiD, 1.5 Bifuel, 1.8 Bifuel, 1.8 Flex (=) 16" Wheels (-) Ralliart (-) Evolution			G8137 	MK333 PK342		G1125	MK288	
		G8138 						
1.5, 1.6, 1.8, 2.0, 1.8 DiD, 04.07→ 2.0 DiD, 1.5 Bifuel, 1.8 Bifuel, 1.8 Flex (=) 18" Wheels (-) Ralliart (-) Evolution			G8135 	MK333 PK342		G1124	MK288	
		G8136 						

**OUTLANDER I**

2.0i CU2W 02.03→11.06 2.4i CU5W	72418ST			MK333 PK305		71146ST		MK288	
2.0i CU2W 06.04→11.06 2.4i CU5W	72418ST			MK333 PK305		71147ST		MK288	

**OUTLANDER II**

2.0i CW4W 02.07→08.13	72437ST 			MK333 PK342					
2.4i CW5W 9.09→8.13 (-) Russia	72438ST 								
2.0 D CW8W (=) 5 Seater (=) LHD	72438ST 			MK333 PK342		37310ST			
2.4i CW5W 2.07→8.09	72437ST 								
2.4i CW5W 9.09→8.13 (=) 7 Seater (=) LHD (-) Russia	72437ST 			MK333 PK342		37310ST			
2.4i CW5W 9.09→8.13 (=) 5 Seater (=) LHD (+) Russia	72438ST 								
3.0i CW6W 2.07→8.13	72438ST 			MK333 PK342		37310ST			
2.0 D CW8W 2.07→8.09	72438ST 								
2.0 D CW8W 9.09→8.13 (=) 7 Seater (=) LHD	72438ST 			MK333 PK342		37310ST			
2.2 D CW7W 2.07→8.13	72438ST 								

**PAJERO, MONTERO, SHOGUN**

L042G, L043G, L044G, 01.83→91 L047G, L048G, L049G, P25 L			D6424			D4441			
L141G, L144G, L146G, 11.88→91 L149G			D6424			D8427			
V21, V24, V41, V44, V46 91→99 (-) (-) 3.0 V 6 (-) 3.5 V 6			D5470			D5471			
V64W, V65W, V68W, V74W, 09.99→07 V75 W, V78W			D8005			D7003			

**PAJERO PININ, MONTERO iO**

H66W, H67W 06.99→02.05						D7002			
H77W 10.01→02.05									

MC... =      MK... =      PK... =





	OESPECTRUM	REFLEX	ORIGINAL			OESPECTRUM	REFLEX	ORIGINAL		
	RIDESENSE	ADVENTURE				RIDESENSE	ADVENTURE	LEVELING		

### PAJERO SPORT

<b>Pajero Sport 2.5 D</b> K94W	11.98 → 12.09		D5470							
<b>Pajero Sport 3.0</b> K96W							D6442			010

### PAJERO IV (4 x 4)

<b>3.0</b> <b>3.8</b> <b>3.2 D</b>	V93W V87W, V97W V88W, V98W	07 →		D8005						010
							D7003			010

### SPACE GEAR (4 x 2)

<b>2000 GLi, GLX (PA3W)</b> <b>2400 GLSi (PA4W)</b> <b>2500 GLXi TDi (PA5W)</b> (=)	05.95 → 12.01			R3464						010
<b>2500 (PC5W)</b> (=)	05.95 → 05.00			R3464			V1148			010

### SPACE RUNNER

<b>1800</b> <b>2.0 D</b>	N11W N18W	06.91 → 08.99			16575	MC212		E1054 <sup>1</sup>		010
(=) (4 x 2)										
<b>1800</b> (=) (4 x 4)	N21W	06.91 → 08.99						E1054 <sup>1</sup>		010
<b>2000</b> <b>2400</b>	N63W N64W	08.99 → 04.03				PK342				010
(=) (4 x 2)										

### SPACE STAR

<b>1.3</b> (-)	09.98 → 07.99	<b>742236SP</b> 	E4391 <sup>1</sup> (E4391R E4392L)	MC212 MK245 MK389 PK384		<b>376222SP</b>	E1238 <sup>1</sup>	PK367	
		<b>742237SP</b> 							
<b>1.3</b> (-)	07.99 → 05.00	<b>742236SP</b> 	E4391 <sup>1</sup> (E4391R E4392L)	MC212 MK245 MK389 PK384		<b>376125SP</b>	E1302 <sup>1</sup>	PK367	
		<b>742237SP</b> 							
<b>1.8 GDI</b> (-)	09.98 → 07.99	<b>742260SP</b> 		MC212 MK245 MK389 PK384		<b>376222SP</b>	E1238 <sup>1</sup>	PK367	
		<b>742261SP</b> 							
<b>1.8 GDI</b> (-)	07.99 → 05.00	<b>742260SP</b> 		MC212 MK245 MK389 PK384		<b>376125SP</b>	E1302 <sup>1</sup>	PK367	
		<b>742261SP</b> 							
<b>1.8 GDI</b> (+)	09.98 → 07.99			MC212 MK245 MK389 PK384					
<b>1.3,</b> <b>1.8 GDi, 1.9 D</b>	06.00 → 12.04	<b>742176SP</b> 	E4987 <sup>1</sup> (E4987R E4988L)	MC212 MK245 MK389 PK384		<b>376125SP</b>	E1302 <sup>1</sup>	PK367	
		<b>742177SP</b> 							
<b>1.6</b> (-)	04.01 → 12.04								

MC... =      MK... =      PK... =

MITSUBISHI



<b>MONROE</b>	OESPECTRUM	REFLEX	ORIGINAL			OESPECTRUM	REFLEX	ORIGINAL		
	RIDESENSE	ADVENTURE				RIDESENSE	ADVENTURE	LEVELING		

### SPACE WAGON

D04W, D05V, D05W D09V, D09W (=) (4 x 2)	84 → 04.91						23442	
D08W (=) (4 x 4)	02.85 → 04.91							
N31W, N33W, N34W, N35W, N38W (=) (4 x 2) (-)	05.91 → 06.98		16575	MC212 MK110			E1054 <sup>1</sup>	
N41W, N43W (=) (4 x 4)	05.91 → 06.98						E1054 <sup>1</sup>	
N83W, N84W (=) (4 x 2)	07.98 → 12.04							
N94W (=) (4 x 4)								

## MOCAR → UMM

## NECKAR → FIAT

## NISSAN

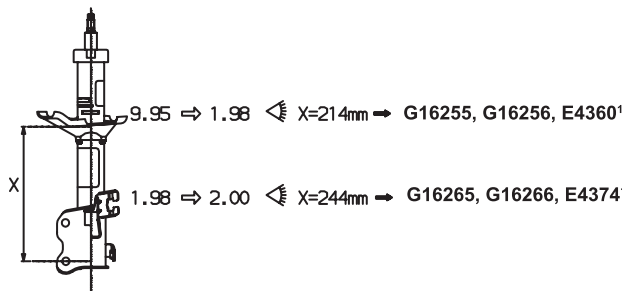
### 100 NX

1.6, 2.0 B13	91 → 95		11143 	MC112 PK036		11159 	MC112 PK053	
			11144  AK058 <b>I16</b>			11160 		

### ALMERA I

1.4, 1.6, 2.0 GTi, 2.0 D N15	07.95 → 07.97		G16255 	<b>I29</b> MC112 MK105 PK136		23852	MK131	
			G16256 					
1.4, 1.6, 2.0 GTi, 2.0 D N15	08.97 → 04.00	E4374 <sup>1</sup> (E4374R E4375L)	G16265 	<b>I29</b> MC112 MK105 PK136		23892	MK131	
			G16266 					

**I29**



MC... =	MK... =	PK... =
---------	---------	---------



	OESPECTRUM	REFLEX	ORIGINAL			OESPECTRUM	REFLEX	ORIGINAL		
	RIDESENSE	ADVENTURE				RIDESENSE	ADVENTURE	LEVELING		

### ALMERA II

1.5, 1.8, 2.2 Di N16 ORIG	04.00 → 07.00	742168SP 	E4719 <sup>1</sup> (E4719R E4720L)	G16297 	MC112 MK307					MK298		
		742169SP 		G16298 								
1.5, 1.8, 2.2 Di N16 ORIG	08.00 → 02.01			G7201 	MC212 MK307					MK298		
				G7202 								
1.5, 1.8, 1.5 dCi, 2.2 Di, 2.2 dCi N16 ORIG	03.01 → 12.06			G7201 	MC212 MK307 PK308			376128SP	E1292 <sup>1</sup>	23934	MK298 PK306	
				G7202 								

### ALMERA II

1.5, 1.8, 2.2 Di N16E ORIG	02.00 → 08.00	742168SP 	E4719 <sup>1</sup> (E4719R E4720L)	G16297 	MC112 MK307			376128SP	E1292 <sup>1</sup>	23934	MK298 PK306	
		742169SP 		G16298 								
1.5, 1.8, 1.5 dCi, 2.2 Di, 2.2 dCi N16E ORIG	09.00 → 09.06			G7201 	MC212 MK307 PK308			376128SP	E1292 <sup>1</sup>	23934	MK298 PK306	
				G7202 								

### ALMERA TINO

1.6, 1.8, 2.0 16V, 2.2 D	5.00 → 11.00				MC301			376114SP	E1288 <sup>1</sup>			
1.6, 1.8, 2.2 D	11.00 → 11.05	742210SP 	E4715 <sup>1</sup> (E4715R E4716L)		MC301 PK310			376114SP	E1288 <sup>1</sup>		MK298 PK306	
		742211SP 										
2.0 16V	11.00 → 11.05				MC301 PK310			376114SP	E1288 <sup>1</sup>		MK298 PK306	

### BLUEBIRD

160 B, 180 B 810 180 BSSS	07.76 → 80											
1600, 1800, 2000, 2.0 D 910	80 → 83									23734		
(=)  (=)												
T12	12.85 → 12.90											
T72	09.88 → 12.90				MC112 MK090					MR226	PK053	
(-)												

### BLUEBIRD

1800, 2000, 2.0 D 910	02.82 → 83									G21041		
(=)  (=)												
U11	01.86 → 12.90				MC112 MK090					MR226	PK053	
(=)  (=)  (-)												

MC... =      MK... =      PK... =



	OESPECTRUM	REFLEX	ORIGINAL			OESPECTRUM	REFLEX	ORIGINAL		
	RIDESENSE	ADVENTURE				RIDESENSE	ADVENTURE	LEVELING		

**CABALL**

C 240	67→ 76									
H 240 W, HQC 240 VWN, GC 240 W, GHQC 240 W	69→ 76							V1002		

**CAB, KING CAB, NAVARA**

520, 521, 620	65→ 78		D2113					D7561		
720 Series (=) (4 x 2)	10.79→ 08.85									
720 Series (=) (4 x 4)	10.79→ 12.81							D7561		
King Cab										
720 Series (=) (4 x 4)	01.82→ 08.85							D8004		
King Cab										
GD 21	09.85→ 01.98									
D 22	02.98→ 07.05		D2113					D4463		
(=) (4 x 2)										
MD 21	09.85→ 01.98							D4463		
(=) (4 x 4)			D4462							
D 22	02.98→ 07.05							D8487		
(=) (4 x 4)			D4486							

**CABSTAR**

A 320, A 321	69→ 76							V1029		
--------------	--------	--	--	--	--	--	--	-------	--	--

**CABSTAR E**

75.28 (=)	10.98→ 10.06			V1108				V1133		
75.28 (=)	10.98→ 10.06			V1132				V1133		
90.32, 110.35, 120.35 (=)	10.98→ 10.06			V1108				V1183		
90.32, 110.35, 120.35 110.45, 120.45 (=)	10.98→ 10.06 10.98→ 10.06			V1182				V1183		

**CABSTAR**

28.11 F24M	10.06→ 13			V1108				V1133		
32.11, 35.11, 35.13, 35.15, 45.13, 45.15 F24M	10.06→ 13			V1108				V1183		

**CHERRY/PULSAR** (4 x 2)

N13	86→ 91			11097 AK058 116	PK036			E4342 <sup>1</sup> (E4342R E4343L)	11099 	MC112	
									11098 		

**CLIPPER**

662 H, 663 H	69→ 12.81							R1000		
--------------	-----------	--	--	--	--	--	--	-------	--	--

**ECHO MICRO**

	69→							V1002		
--	-----	--	--	--	--	--	--	-------	--	--

MC... =      MK... =      PK... =



	OESPECTRUM	REFLEX	ORIGINAL			OESPECTRUM	REFLEX	ORIGINAL		
	RIDESENSE	ADVENTURE				RIDESENSE	ADVENTURE	LEVELING		

**ECO-T SERIES**

100.35, 100.45	04.96 → 12.00			V1136					V1127		
100.56	04.96 → 12.00			V1128					V1127		

**FAIR LADY**

280 ZX, 280 Turbo S130	09.81 → 08.83								23734		
------------------------	---------------	--	--	--	--	--	--	--	-------	--	--

**F SERIES**

F 350 Chassis	87 → 01								V1045		
---------------	---------	--	--	--	--	--	--	--	-------	--	--

**INTERSTAR**

X70 (=)	02 → 03.11			V2079					V2514		
X70 (=)	02 → 03.11			V2079					V2512		
X70 (=)	02 → 03.11			V2079							
X70 (=)	02 → 03.11			V2079							

**JUKE**

1.6, 1.5 dCi (=) (4 x 2) F15E	06.10 →			G8237 					G2174		
1.6 (=) (4 x 4) F15E	06.10 →			G8237 					G2175		

**KUBISTAR**

1.2, 1.6 16V, 1.5 dCi X76 (=) (4 x 2) (+) ND (=) (=) CUN	08.03 → 10.09			11285	MC114 MK100 PK066				43107		
1.2, 1.6 16V, 1.5 dCi X76 (=) (4 x 2) (+) ND (=) (=) CU+	08.03 → 10.09			11285	MC114 MK100 PK066				G43152		
1.2, 1.6 16V, 1.5 dCi X76 (=) (4 x 2) (+) HD (=)	08.03 → 10.09			11285	MC114 MK100 PK066						

**LAUREL**

180 L, 200 L, 240 L, 280 L C31 (+/-) Diesel	81 → 85								23734		
180 L, 200 L, 240 L, 280 L C32 (=) (=)	85 → 89			MG222					23734		

MC... =

MK... =

PK... =



<b>MONROE</b>	OESPECTRUM	REFLEX	ORIGINAL			OESPECTRUM	REFLEX	ORIGINAL		
	RIDESENSE	ADVENTURE				RIDESENSE	ADVENTURE	LEVELING		

**L SERIES**

L 35	01.79 → 2.86			V1071				V1045		
L 35	02.86 →									
L 45	10.82 →			V1071				V1127		
L 35.08, L 35.09 L 50.09	05.88 →									
L 45.08	07.93 →			V1136				V1127		
L 35 F	02.86 →									
L 45 F	10.82 →			V1071						
L 35.08 F, L 45.08 F L 35.09 F, L 50.09 F	05.88 →									

**MAXIMA QX**

A 32 (-)	10.94 → 05.00			G16793 	MC114 MK137			E1211 <sup>1</sup>	G1259	MK131	
CA 33	01.00 → 07.00			G16794 		MK301		376152SP	E1317 <sup>1</sup>		
CA 33	08.00 → 12.02	71461 				MK301		376152SP	E1317 <sup>1</sup>		
		71462 									

**MICRA/MARCH**

K10	83 → 92					MK158 PK023			R3735	PK027	
K11 (+/-)	92 → 07.00			E4004 <sup>1</sup> (E4004R E4005L)	10026 	MC212 MK265 PK359		E1094 <sup>1</sup>	R3445		
K11 (+/-)	07.00 → 01.03				10058 	MC212 MK265 PK359		E1094 <sup>1</sup>			
1.0 16V, 1.2 16V, 1.5 dCi, 1.4 16V K12	01.03 → 06.10				G7292 	MK347 MK263R MK264L 179 PK153			23972	PK154	
					G7293 						

179

MK001, MK202, MK342, MK343, MK344, MK345, MK346, MK347 =

MK149, MK208, MK263R, MK264L, MK271, MK321, MK322, MK376 =

MK067, MK068, MK077, MK156, MK194, MK326, MK332, MK334R, MK335L, MK337, MK372 =

**MICRA**

1.2, 1.2 LPG, 1.2 DIG-S K13K	10 → 12.16			G7027 					G1134		
				G7028 							

**MICRA C+C/MARCH**

1.4 16V, 1.6 16V K12	08.05 → 03.09					PK153				PK154	
-------------------------	---------------	--	--	--	--	-------	--	--	--	-------	--

MC... =      MK... =      PK... =



	OESPECTRUM	REFLEX	ORIGINAL			OESPECTRUM	REFLEX	ORIGINAL		
	RIDESENSE	ADVENTURE				RIDESENSE	ADVENTURE	LEVELING		

**MURANO**

3.5 (+)  Z50 (=) (4 x 4)	21.04 → 06.08	72267ST	MK301			37282ST		
		72268ST						

**NAVARA**

2.5 dCi D40	07.05 →		D8070				D7017		
-------------	---------	--	-------	--	--	--	-------	--	--

**NOTE**

1.4, 1.6, 1.5 dCi E11	03.06 → 08.13		G7309	MC212 MK263R MK264L MK347 !79 PK153			23972	PK154		
			G7310							

**NV200, EVALIA**

1.6, 1.5 dCi M20 / M20M	8.09 →		G7431				G2179		
			G7432						

**NV300**

1.6 dCi	09.16 →						V1167		
---------	---------	--	--	--	--	--	-------	--	--

**NV400**

(-)	11.11 →		V4517				V2146		
	(-)	01.11 →		V4517			V2147		

**PATHFINDER**

4.0, 2.5 dCi R51M	05 → 08.10		D8069		MK355		D8068		
-------------------	------------	--	-------	--	-------	--	-------	--	--

**PATROL**

160	80 → 06.82									
160 (=)	06.82 → 03.89		D4436				D4437			
260 (=)	10.84 → 03.89									
160/743 (NMISA) 260/743 (NMISA)	04.89 → 04.98		D4470				D8333			

**PATROL GR**

Y 60 (=)   (=)	08.87 → 09.97		D4468				D4469			
Y 61 (=)   (=)	10.97 → 03.10		D8483				D4484			

**PIXO**

	06.09 → 12.13		G9511				G1246		
			G9512						

MC... =      MK... =      PK... =

NISSAN



<b>MONROE</b>	OESPECTRUM	REFLEX	ORIGINAL			OESPECTRUM	REFLEX	ORIGINAL		
	RIDESENSE	ADVENTURE				RIDESENSE	ADVENTURE	LEVELING		

**PRAIRIE**

M11 (=) (4 x 2)	10.88 → 07.94							<b>MG243</b>		
--------------------	---------------	--	--	--	--	--	--	--------------	--	--

**PRIMASTAR**

2.0, 1.9 DCi, 2.5 DCi  X83	06.02 → 09.16			<b>V4504</b>	MK181 PK116				<b>V1167</b>	
-------------------------------------	---------------	--	--	--------------	----------------	--	--	--	--------------	--

**PRIMERA** (4 x 2)

1.6 L, LX, SLX, 2.0 D  P10	02.90 → 05.96			23872	PK062				<b>16197</b> 	MC112 PK063	
									<b>16198</b> 		
2.0i LX, SLX, SGX  P10	02.90 → 05.96			23872	PK062				<b>G16551</b> 	MC112 PK063	
									<b>G16552</b> 		
2.0 e GT  P10	02.90 → 05.96			23872	PK062					PK063	
1.6, 1.8, 2.0, 2.0 TD  P11E (-) GT/SRi	06.96 → 02		E1192 <sup>1</sup>	23872	PK062			E1189 <sup>1</sup>	23868		
GT, SRi P11E	06.96 → 01.02			23872	PK062				23869		
1.6, 1.8, 2.0, 2.5, 1.9 DCi, 2.2 DCi  P12E	01.02 → 10.08	<b>742204SP</b> 	E4735 <sup>1</sup> (E4735R E4736L)	<b>G16353</b> 	MK301					MK298 PK306	
		<b>742205SP</b> 		<b>G16354</b> 							

**PRIMERA**

1.6, 2.0, 2.0 D  WP11E	01.98 → 01.02		E1192 <sup>1</sup>	23872	PK062				23895		
1.6, 1.8, 2.0, 2.5 1.9 DCi, 2.2 DCi  WP12E	01.02 → 06.08	<b>742204SP</b> 	E4735 <sup>1</sup> (E4735R E4736L)	<b>G16353</b> 	MK301					MK298 PK306	
		<b>742205SP</b> 		<b>G16354</b> 							

**QASHQAI (J10E)** 5

1.6, 2.0, 1.5 dCi	02.07 → 12.09			<b>D0023</b> (D0023R D0024L)		MK347 MK334R MK335L <b>!79</b> PK307			<b>D7018</b>		PK309	
2.0 dCi	10.06 → 04.14											
1.6, 2.0, 1.5 dCi	01.10 → 04.14			<b>D0025</b> (D0025R D0026L)		MK347 MK334R MK335L <b>!79</b> PK307			<b>D7018</b>		PK309	

**!79**

MK001, MK202, MK342, MK343, MK344, MK345, MK346, MK347 =   
 MK149, MK208, MK263R, MK264L, MK271, MK321, MK322, MK376 =   
 MK067, MK068, MK077, MK156, MK194, MK326, MK332, MK334R, MK335L, MK337, MK372 = +

MC... =	MK... =	PK... =
---------	---------	---------





	OESPECTRUM	REFLEX	ORIGINAL			OESPECTRUM	REFLEX	ORIGINAL		
	RIDESENSE	ADVENTURE				RIDESENSE	ADVENTURE	LEVELING		

**QASHQAI (J11)** **5**

1.2 DIG-T, 1.6 DIG-T, 2.0, 1.5 dCi, 1.6 dCi (-) Russia	11.13→		D0049 (D0049R D0050L)					D7019				
								D7034				
1.2 DIG-T, 2.0, 1.6 dCi (+) Russia	11.13→		D0047 (D0047R D0048L)									

**QASHQAI +2 (JJ10E)** **7**

1.6, 2.0, 1.5 dCi, 2.0 dCi (-) Russia (-) Ukraine	08.08→04.14		D0025 (D0025R D0026L)		MK347 MK334R MK335L !79 PK307			D7018		PK309		
1.6, 2.0, 1.5 dCi, 2.0 dCi (+) Russia (+) Ukraine	08.08→04.14		D0025 (D0025R D0026L)		MK347 MK334R MK335L !79 PK307					PK309		

**SERENA**

1.6 L, LX 2.0 D L, LX, SLX 2.3 D L, LX, SLX C23M (=)	07.92→09.01		G16612 	MC112				23443				
2.0 2.0 D SGX 2.3 D SGX C23M (=)	07.92→09.01		G16610 	MC112								

**SKYLINE**

1800	C10	68→	72						R3216			
------	-----	-----	----	--	--	--	--	--	-------	--	--	--

**SUNNY**

1200 120 Y	B110 B210	70→ 73→	74 75		MR834							
 (=) (4 x 2) (-)	B12, N13	86→	91		11097 AK058 !16	MK104 PK036		E4342 <sup>1</sup> (E4342R E4343L)	11099 	MC112 PK058		
									11098 			
1.4 2.0 D	N14 N14	91→	95		11143 	MC112 MK105 PK036			11145 	MC112 MK130 PK035		
					11144  AK058 !16				11146 			
1.6 (=) (4 x 2) 2.0	N14 N14	91→	95		11143 	MC112 PK036			11159 	MC112 MK130 PK053		
					11144  AK058 !16				11160 			

**SUNNY**

	N16	00→	05	742168SP 	E4719 <sup>1</sup> (E4719R E4720L)	G16297 	MC112 MK307			23892	MK131	
				742169SP 		G16298 						

MC... =      MK... =      PK... =

NISSAN



<b>MONROE</b>	OESPECTRUM	REFLEX	ORIGINAL			OESPECTRUM	REFLEX	ORIGINAL		
	RIDESENSE	ADVENTURE				RIDESENSE	ADVENTURE	LEVELING		

### SUNNY/SUNNY CLASSIC/ALMERA CLASSIC

	B10	07→ 12			<b>G7201</b> 									
					<b>G7202</b> 							<b>23892</b>	<b>MK131</b>	

### SUNNY/ALMERA/VERSA/LATIO

	N17	12→			<b>G7027</b> 								<b>G1134</b>	
					<b>G7028</b> 									

### SUNNY

<b>1200</b>	B110	70→ 74			<b>MR834</b>									
<b>120 Y</b>	B210	73→ 75												
	B12	86→ 91			<b>11097</b> AK058 !16	<b>MK104</b> PK036				<b>E4342<sup>1</sup></b> (E4342R E4343L)		<b>11099</b>	<b>MC112</b> PK058	
(=) (4 x 2) (-)														

### SUNNY

	N13	86→ 91			<b>11097</b> AK058 !16	<b>MK104</b> PK036				<b>E4342<sup>1</sup></b> (E4342R E4343L)		<b>11099</b>	<b>MC112</b> PK058	
(=) (4 x 2) (-)														
<b>1.4</b> <b>2.0 D</b>	N14 N14	91→ 95			<b>11143</b> 	<b>MC112</b> MK105 PK036						<b>11145</b>	<b>MC112</b> MK130 PK035	
					<b>11144</b> 									
<b>1.6</b> (=) (4 x 2) <b>2.0</b>	N14 N14	91→ 95			<b>11143</b> 	<b>MC112</b> MK105 PK036						<b>11159</b>	<b>MC112</b> MK130 PK053	
					<b>11144</b> 									

### SUNNY

<b>120 Y</b>	B210	73→ 75			<b>MR834</b>							<b>R1004</b>		
<b>120 Y</b>	B210	76→ 78										<b>R1004</b>		
	B12	86→ 91			<b>11097</b> AK058 !16	<b>MK104</b> PK036				<b>E4342<sup>1</sup></b> (E4342R E4343L)		<b>11099</b>	<b>MC112</b>	
(=) (4 x 2) (-)														
	Y10	11.90→ 03.00			<b>11143</b> 	<b>MC112</b> MK105 PK036						<b>23434</b>		
(=) (4 x 2)					<b>11144</b> 									

MC... =      MK... =      PK... =



	OESPECTRUM	REFLEX	ORIGINAL			OESPECTRUM	REFLEX	ORIGINAL		
	RIDESENSE	ADVENTURE				RIDESENSE	ADVENTURE	LEVELING		

**SUNNY**

1200	B110	70→ 74			MR834					R1004			
120 Y, 140 Y (=)	B310	78→ 81			MR834					G21041			

**SUNNY**

1200	B120	70→ 74			MR834					R1004			
------	------	--------	--	--	-------	--	--	--	--	-------	--	--	--

**SUNNY EXCELLENT**

1400	B110	71→ 2.73								R1101			
------	------	----------	--	--	--	--	--	--	--	-------	--	--	--

**TERRANO I/PATHFINDER**

WD 21 (-)		10.87→ 02.96			D5474					D8003			
--------------	--	--------------	--	--	-------	--	--	--	--	-------	--	--	--

**TERRANO II**

R 20 Hard Top (=)		02.93→ 04.06			D5474					D8003			
2													
R 20 Wagon (=)		02.93→ 04.06			D5491					D8003			
4													

**TIIDA / VERSA**

1.5, 1.6, 1.8, 1.8 Flex-Fuel, 1.5 dCi		05.04→ 06.13			GT7279 					GT1072			
					GT7280 								

**TRADE**

2.8		12.86→ 06.94								V1045			
(=) ORIG													
Trade 3.0, Trade 100		06.94→ 03.97			V1130					V1131			
Trade 100		03.97→ 05.01								V1131			
Trade 3.0 Chassis, Trade 100 Chassis		04.93→ 05.01			V1130					V1135			

**URVAN**

E 20		12.78→ 06.80								V1029			
E 23		07.80→ 10.86			V1042					V1029			
E 24		11.86→ 5.97								R1000			

MC... =

MK... =

PK... =



<b>MONROE</b>	OESPECTRUM	REFLEX	ORIGINAL			OESPECTRUM	REFLEX	ORIGINAL		
	RIDESENSE	ADVENTURE				RIDESENSE	ADVENTURE	LEVELING		

**VANETTE**

<b>C 120</b>	01.79 → 06.87									
<b>C 220</b> (=) ORIG	04.87 → 12.95			<b>V1057</b>						
<b>GC 22</b> (=)	09.86 → 01.95			<b>V1060</b>			<b>V2501</b>			
<b>GC 22</b> (=)	09.86 → 12.95			<b>V1060</b>						

**VANETTE CARGO/CARGO COMBI**

<b>1.6 L, LX</b> <b>2.0 D L, LX, SLX</b> <b>2.3 D L, LX, SLX</b>  C23M (=)	09.94 → 05.02			<b>G16612</b> 	MC112		<b>23443</b>			
			<b>G16613</b> 							
<b>2.0</b> <b>2.0 D SGX</b> <b>2.3 D SGX</b>  C23M (=)	09.94 → 05.01			<b>G16610</b> 	MC112					
			<b>G16611</b> 							

**VIOLET**

<b>160 J</b> A10	5.77 → 81						<b>R1000</b>			
------------------	-----------	--	--	--	--	--	--------------	--	--	--

**X-TRAIL**

<b>2.0i, 2.5i,</b> <b>2.2 dCi</b> T30	06.01 → 12.08		<b>D0019</b> (D0019R D0020L)		<b>MK301</b> <b>PK310</b>			<b>D0021</b> (D0021R D0022L)		<b>PK311</b>	
<b>2.0, 2.5,</b> <b>2.0 dCi</b> T31, T31R	03.07 → 02.14		<b>D0027</b> (D0027R D0028L)		<b>MK347</b> <b>MK344R</b> <b>MK335L</b> <b>!79</b> <b>PK307</b>			<b>D7019</b>			
<b>1.6 DIG-T, 2.0, 2.5,</b> <b>1.6 dDi, 2.0 dCi</b> T32	03.14 →		<b>D0047</b> (D0047R D0048L)					<b>D7019</b>			

**!79**

MK001, MK202, MK342, MK343, MK344, MK345, MK346, MK347 =   
 MK149, MK208, MK263R, MK264L, MK271, MK321, MK322, MK376 =   
 MK067, MK068, MK077, MK156, MK194, MK326, MK332, MK334R, MK335L, MK337, MK372 =

**OLTCIT → CITROËN**

**OPEL, VAUXHALL**

**ADAM**

<b>1.0, 1.2, 1.4</b>	10.12 →			<b>G7413</b> 				<b>G1181</b>		
				<b>G7414</b> 						

MC... =      MK... =      PK... =



	OESPECTRUM	REFLEX	ORIGINAL			OESPECTRUM	REFLEX	ORIGINAL		
	RIDESENSE	ADVENTURE				RIDESENSE	ADVENTURE	LEVELING		

**AGILA (H 00)**

1.0, 1.1, 1.2, 1.3 CDTi (=) (4 x 2) (+/-)	03.00 → 08.07			15062	MK367 PK312				G21658	PK169	
				15063							
1.0, 1.2, 1.3 D	09.07 → 03.15			G7273	MK368 PK343				G1131	PK340	
				G7274							

**ANTARA**

2.4, 3.2, 2.0 CDTi, 2.2 CDTi	08.06 → 02.15			D0409 (D0409R D0410L)			PK341			D8079		I36	
---------------------------------	---------------	--	--	-----------------------------	--	--	-------	--	--	-------	--	-----	--

**ASCONA A**

 (Voyage)	70 → 08.75										R1569		
--------------	------------	--	--	--	--	--	--	--	--	--	-------	--	--

**ASCONA B**

	09.75 → 08.81				G22609						R1569		
--	---------------	--	--	--	--------	--	--	--	--	--	-------	--	--

**ASCONA C**

Ascona-C → ch.no. F 1003026 → ch.no. F 5000000 → ch.no. F 6000000	08.81 → 85				MR993	PK004					R1598		
Ascona-C ch.no. F 1003027 → ch.no. F 5000001 → ch.no. F 6000001 →	85 → 10.88				MR217	PK004					R1598		

**ASTRA**

MKI	80 → 84				MR253	PK004					R1598		
MKII → ch.no. J 2791967 → ch.no. J 5273427 (-) GTE	84 → 07.88				MR253	MK037 PK004					R1598		
GTE, GTE 16 V → ch.no. J 2791967 → ch.no. J 5273427	84 → 7.88				MR253	MK037 PK004							
MKII ch.no. J 2791968 → ch.no. J 5273428 → (+/-) GTE, GTE 16V	08.88 → 91				MR253	MK037 PK004			E1003 <sup>1</sup>	R1622			

**ASTRA CARAVAN**

MKI	80 → 84				MR253	PK004							
MKII	84 → 91				MR253	MK037 PK004			E1043 <sup>1</sup>	R2655			
Astramax	01.86 → 08.93				MR253	PK004				R2661			

**ASTRA F**

Only for Turkey	91 → 98				MG259								
-----------------	---------	--	--	--	-------	--	--	--	--	--	--	--	--





<b>MONROE</b>	OESPECTRUM	REFLEX	ORIGINAL			OESPECTRUM	REFLEX	ORIGINAL		
	RIDSENSE	ADVENTURE				RIDSENSE	ADVENTURE	LEVELING		

### ASTRA F

	91→ 98		E3404 <sup>1</sup>	MR258	MK039 PK005			E1003 <sup>1</sup>	R1622		
GT, GSi	91→ 98		E3404 <sup>1</sup>	MG259	MK039 PK004			E1003 <sup>1</sup>	43076		

### ASTRA F CLASSIC

1.4i, 1.6i, 1.6i 16V (-) GT, GSi	98→ 02		E3404 <sup>1</sup>	MR258	MK039 PK005			E1003 <sup>1</sup>	R1622		
GT, GSi	98→ 02		E3404 <sup>1</sup>	MG259	MK039 PK004			E1003 <sup>1</sup>	43076		

### ASTRA F CARAVAN, CARAVAN CLASSIC

Caravan, Van	09.91→ 01.98		E3404 <sup>1</sup>	MR258	MK039 PK005			E1043 <sup>1</sup>	R2655		
1.4i, 1.6i, 1.6i 16V, 1.4 Comfort	98→ 05		E3404 <sup>1</sup>	MR258	MK039 PK005			E1043 <sup>1</sup>	R2655		

### ASTRA F

	91→ 97		E3404 <sup>1</sup>	MR258	MK039 PK005			E1003 <sup>1</sup>	R1622		
(-) GSi											
GSi	91→ 98			MG259	MK039 PK004				43076		

### ASTRA G

1.2, 1.4 16V, 1.6, 1.6 16V, 1.8 16V, 1.7 DTi, 1.7 tD (+) (-)	02.98→ 01.05	742127SP	E4882 <sup>1</sup> (E4882R E4883L)	G16766	MC112 MK149 MK343 I79 PK075		376094SP	E1248 <sup>1</sup>	23908	
		742128SP		G16767						
2.0 16V, 2.2 16V, 2.0 Di, 2.0 DTi, 2.0 tD (+) (-)	02.98→ 01.05	742170SP	E4908 <sup>1</sup> (E4908R E4909L)	G16770	MC112 MK149 MK343 I79 PK075		376094SP	E1248 <sup>1</sup>	23908	
		742171SP		G16771						
1.2, 1.4 16V, 1.6, 1.6 16V, 1.8 16V, 2.0 16V, 2.2 16V, 1.7 DTi, 1.7 tD, 2.0 Di, 2.0 DTi, 2.0 tD, 2.2 DTi (+) , (+) (+)	02.98→ 01.05	742170SP	E4908 <sup>1</sup> (E4908R E4909L)	G16770	MC112 MK149 MK343 I79 PK075		376146SP	E1294 <sup>1</sup>	23947	
		742171SP		G16771						

I79

MK001, MK202, MK342, MK343, MK344, MK345, MK346, MK347 =   
 MK149, MK208, MK263R, MK264L, MK271, MK321, MK322, MK376 =   
 MK067, MK068, MK077, MK156, MK194, MK326, MK332, MK334R, MK335L, MK337, MK372 = +

### ASTRA G CARAVAN

1.2, 1.4 16V, 1.6, 1.6 16V, 1.8 16V, 1.7 DTi, 1.7 tD (+) (+/-) Van	02.98→ 04.05	742127SP	E4882 <sup>1</sup> (E4882R E4883L)	G16766	MK343 I79		376089SP		23982	
		742128SP		G16767						
1.2, 1.4 16V, 1.6, 1.6 16V, 1.8 16V, 1.7 DTi, 1.7 tD (+) , (+)	02.98→ 04.05	742170SP	E4908 <sup>1</sup> (E4908R E4909L)	G16770	MK343 I79		376089SP		23982	
		742171SP		G16771						

MC... =	MK... =	PK... =
---------	---------	---------



	OESPECTRUM	REFLEX	ORIGINAL			OESPECTRUM	REFLEX	ORIGINAL		
	RIDESENSE	ADVENTURE				RIDESENSE	ADVENTURE	LEVELING		

### ASTRA G

1.6 16V, 1.8 16V, 2.2 16V, 2.2 DTi (-) 2.0 T	03.00 → 05.05	742170SP 	E4908 <sup>1</sup> (E4908R E4909L)	G16770 	MC112 MK149 MK343 <b>I79</b> PK075			376146SP	E1294 <sup>1</sup>	23947		
	2.2 16V, 2.2 Di, 2.2 DTi	02.01 → 10.05		742171SP 								
1.6 16V, 1.8 16V	02.01 → 10.05	742127SP 	E4882 <sup>1</sup> (E4882R E4883L)	G16766 	MC112 MK149 MK343 <b>I79</b> PK075			376094SP	E1248 <sup>1</sup>	23908		
		742128SP 		G16767 								

### ASTRA H, ASTRA H GTC

1.4 16V, 1.6 16V (-)	03.04 → 12.11	742184SP 	E7045 <sup>1</sup> (E7045R E7046L)	G8001 	MC112 MK399 PK164			376089SP		23982		
		742185SP 		G8002 								
1.8 16 V, 1.6 Turbo, 1.3 CDTi, 1.7 CDTi, 1.9 CDTi (-)	03.04 → 12.11	742100SP 	E7047 <sup>1</sup> (E7047R E7048L)	G8003 	MC112 MK399 PK164			376089SP		23982		
		742101SP 		G8004 								
2.0 Turbo 16 V OPC	03.05 → 12.10				MK399 PK164							

### ASTRA H CARAVAN

1.4 16V, 1.6 16V (-)	08.04 → 12.12	742184SP 	E7045 <sup>1</sup> (E7045R E7046L)	G8001 	MC112 MK399 PK164			376138SP	E1352 <sup>1</sup>	23994		
		742185SP 		G8002 								
1.8 16V, 1.3 CDTi, 1.7 CDTi, 1.9 CDTi (-)	03.04 → 12.12	742100SP 	E7047 <sup>1</sup> (E7047R E7048L)	G8003 	MC112 MK399 PK164			376138SP	E1352 <sup>1</sup>	23994		
		742101SP 		G8004 								
2.0 Turbo 16V	08.04 → 12.12				MK399 PK164							

### ASTRA H

1.4 16V, 1.6 16V 76 kW, 77 kW	10.05 → 12.11	742184SP 	E7045 <sup>1</sup> (E7045R E7046L)	G8001 	MC112 MK399 PK164			376089SP		23982		
		742185SP 		G8002 								
1.6 16 V 85 kW →, 1.6 Turbo, 09.05 → 12.11 1.8 16V, 1.9 CDTi	09.05 → 12.11	742100SP 	E7047 <sup>1</sup> (E7047R E7048L)	G8003 	MC112 MK399 PK164			376089SP		23982		
		742101SP 		G8004 								

### ASTRA J

1.4, 1.6, 1.3 CDTi, 1.7 CDTi, 2.0 CDTi (+) (+) (-) 2.0T OPC/VXR	12.09 → 10.15			G8195 	MK381					G1154		
				G8196 								

### BELMONT

	01.86 → 88			MR253	MK037 PK004					R1598		
→ ch.no. J 2791967 → ch.no. J 5273427												
	88 → 07.91			MR253	MK037 PK004				E1003 <sup>1</sup>	R1622		
ch.no. J 2791968 → ch.no. J 5273428 →												

MC... =      MK... =      PK... =

OPEL,



<b>MONROE</b>	OESPECTRUM	REFLEX	ORIGINAL			OESPECTRUM	REFLEX	ORIGINAL		
	RIDESENSE	ADVENTURE				RIDESENSE	ADVENTURE	LEVELING		

**BLITZ**

Blitz (Bedford CF)	08.69 → 10.87			V2049					V2048		
--------------------	---------------	--	--	-------	--	--	--	--	-------	--	--

**CALIBRA**

2.0i	08.89 → 07.97			MG247	MK038 PK004				23431		
2.0i 16V, 2.5 V6	08.90 → 05.98			MG247	MK038				23431		

**CAMPO/BRAVA**

TFR Series (=) (4 x 2)	09.90 → 07.03			V1087					V1088		
TFS Series (=) (4 x 4)	09.90 → 07.03			V1053					V1088		

**CARLTON, OMEGA**

	78 → 86				PK005				R1566		
--	---------	--	--	--	-------	--	--	--	-------	--	--

**CARLTON/OMEGA ('87 → '94)**

Omega											
-------	--	--	--	--	--	--	--	--	--	--	--

**CAVALIER/VECTRA** (4 x 2)

	75 → 08.81			G22609					R1569		
 → ch.no. F 1003026 → ch.no. F 5000000 → ch.no. F 6000000	09.81 → 85			MR993	PK004				R1598		
 ch.no. F 1003027 → ch.no. F 5000001 → ch.no. F 6000001 →	85 → 88			MR217	PK004				R1598		

**CAVALIER/VECTRA**

 → ch.no. F 1003026 → ch.no. F 5000000 → ch.no. F 6000000	83 → 85			MR993	PK004						
 ch.no. F 1003027 → ch.no. F 5000001 → ch.no. F 6000001 →	85 → 88			MR217	PK004						

**CHEVETTE**

	76 → 84			G22609					R1566		
--	---------	--	--	--------	--	--	--	--	-------	--	--

**CHEVETTE** 3

	75 → 84			G22609							
--	---------	--	--	--------	--	--	--	--	--	--	--

**COMBO**

Kadett E	85 → 93			MR253	MK037 PK004				R2661		
Corsa B Van & Tour	94 → 01		E4364 <sup>1</sup>	G16203	MC212 MK017 PK004				R2661		
Corsa C Van & Tour (-)	10.01 → 12.12	742089SP 	E4723 <sup>1</sup> (E4723R E4724L)	G16327 	MK343 MK149 I79 PK173				23964		
		742090SP 		G16328 							

MC... =      MK... =      PK... =





	OESPECTRUM	REFLEX	ORIGINAL			OESPECTRUM	REFLEX	ORIGINAL		
	RIDESENSE	ADVENTURE				RIDESENSE	ADVENTURE	LEVELING		

<b>Corsa C</b> (+) Van & Tour	10.01 → 12.12			G16329	MK343 MK149 <b>I79</b> PK173				23964		
				G16330							

**I79**

MK001, MK202, MK342, MK343, MK344, MK345, MK346, MK347 =   
 MK149, MK208, MK263R, MK264L, MK271, MK321, MK322, MK376 =   
 MK067, MK068, MK077, MK156, MK194, MK326, MK332, MK334R, MK335L, MK337, MK372 = +

**COMBO TOUR**

1.4, 1.4 Gas, 1.3 CDTi, 1.6 CDTi, 2.0 CDTi	02.12 →			G8208					G1171		
				G8209							

**COMBO CARGO**

1.4, 1.4 Gas, 1.3 CDTi, 1.6 CDTi, 2.0 CDTi (=)  750 kg, 900 kg, 1000 kg	02.12 →			G8208					G1171		
				G8209							

**COMMODORE**

2.2, 2.5	67 → 72			V1063					R3216		
----------	---------	--	--	-------	--	--	--	--	-------	--	--

**COMMODORE B**

2.5, 2.8	72 → 77			V1063					R1566		
----------	---------	--	--	-------	--	--	--	--	-------	--	--

**COMMODORE C**

2.5 S	78 → 82				PK005				R1566		
-------	---------	--	--	--	-------	--	--	--	-------	--	--

**CORSA A, CORSA B/NOVA**

 (+/-) GSi/Sport <b>Corsa-A, Nova</b> GSi <b>Corsa-B</b> (-) GSi/Sport <b>Corsa-B</b> (+) <b>Corsa-B</b> GSi	09.82 → 12.03		E4364 <sup>1</sup>	G16203	MC212 MK017 PK004				E1095 <sup>1</sup>	23456	
	88 → 93										
	93 → 11.00										

**CORSA C**

1.0, 1.2, 1.3 CDTi, 1.7 Di (-) (-)	09.00 → 12.09	742089SP	E4723 <sup>1</sup> (E4723R E4724L)	G16327	MK343 MK149 <b>I79</b> PK173				E1299 <sup>1</sup>	G22711	
		742090SP		G16328							
1.0, 1.2, 1.4, 1.8, 1.3 CDTi, 1.7 Di, 1.7 DTi, 1.7 CDTi (+) (-)	09.00 → 12.09	742089SP	E4723 <sup>1</sup> (E4723R E4724L)	G16327	MK343 MK149 <b>I79</b> PK173				E1300 <sup>1</sup>	22712	
		742090SP		G16328							
1.0, 1.2, 1.4, 1.8, 1.3 CDTi, 1.7 Di, 1.7 DTi, 1.7 CTi (+)	09.00 → 12.09			G16329	MK343 MK149 <b>I79</b> PK173				E1300 <sup>1</sup>	22712	
			G16330								

MC... =      MK... =      PK... =

OPEL,



<b>MONROE</b>	OESPECTRUM	REFLEX	ORIGINAL			OESPECTRUM	REFLEX	ORIGINAL		
	RIDESENSE	ADVENTURE				RIDESENSE	ADVENTURE	LEVELING		

**CORSA D**

1.0, 1.2, 1.4, 1.2 LPG, 07.06→08.14 1.4 LPG 1.3 CDTi, 1.7 CDTi (+)	742108SP 	E7068 <sup>1</sup> (E7068R E7069L)	G8063 	MK305 PK140		376130SP	E1354 <sup>1</sup>	G1037	MK384R MK385L PK018	
	742109SP 		G8064 							

**CORSA E**

1.0, 1.2, 1.4 Ecoboost, 09.14→ 1.4 LPG, 1.3 CDTi				MK305					MK384R MK385L	
--	--	--	--	-------	--	--	--	--	------------------	--

**FRONTERA**

<b>Frontera Sport</b>	91→09.95									
(=) 2	91→09.95		D5472				D4441			
(=) 4	91→09.95									
 (=) 2  4	09.95→10.98		D5482				D5483			
 2	09.98→07.04		D8496				D5495			
 4	09.98→07.04		D8497				D5494			

**GT**

GT 1100, 1900	08.67→07.73							R1101		
---------------	-------------	--	--	--	--	--	--	-------	--	--

**INSIGNIA**

1.6, 1.8, 1.6 T, 2.0 T, 2.8 V6, 07.08→ 2.0 CDTi (=) (4 x 2) (+) (-) OPC (-) SRi (-) (-)	742166SP 	E7088 <sup>1</sup> (E7088R E7089L)		MC112 MK328 PK187		376112SP	E7809 <sup>1</sup>	G2515		
	742167SP 									
1.6, 1.8, 1.6 T, 2.0 T, 2.8 V6, 07.08→ 2.0 CDTi (+) (=) (4 x 4) (-) SRi	742166SP 	E7088 <sup>1</sup> (E7088R E7089L)		MC112 MK328 PK187						
	742167SP 									
1.6, 1.8, 1.6 T, 2.0 T, 2.8 V6, 2.0 CDTi (+)  (+) (=) (4 x 4) (4 x 2) (+) SRi (-) OPC (-) (-)	742166SP 	E7088 <sup>1</sup> (E7088R E7089L)		MC112 MK328 PK187						
	742167SP 									

**INSIGNIA SPORTS TOURER**

1.6, 1.8, 1.6 T, 2.0 T, 2.8 V6, 07.08→ 2.0 CDTi (=) (4 x 2) (+) SRi (-) OPC (-) (-)	742166SP 	E7088 <sup>1</sup> (E7088R E7089L)		MC112 MK328 PK187		376064SP	E7810 <sup>1</sup>			
	742167SP 									

MC... =      MK... =      PK... =



	OESPECTRUM	REFLEX	ORIGINAL			OESPECTRUM	REFLEX	ORIGINAL		
	RIDESENSE	ADVENTURE				RIDESENSE	ADVENTURE	LEVELING		

1.6, 1.8, 1.6 T, 2.0 T, 2.8 V6, 07.08→ 2.0 CDTi (=) (4 x 4) (+) SRi (-) OPC (-) (-)	742166SP 	E7088 <sup>1</sup> (E7088R E7089L)		MC112 MK328 PK187						
	742167SP 									

### KADETT C

Berlina, Special, SR	09.73→ 79			G22609						
Aero	76→ 79						R1566			
City	75→ 79			G22609						

### KADETT C

	09.73→ 79			G22609				R1566		
GT/E Rally	75→ 79 77→ 79			G22609						

### KADETT C

Caravan	09.73→ 79			G22609						
---------	-----------	--	--	--------	--	--	--	--	--	--

### KADETT D

	79→ 84			MR253	PK004				R1598	
--	--------	--	--	-------	-------	--	--	--	-------	--

### KADETT D

	79→ 84			MR253	PK004					
--	--------	--	--	-------	-------	--	--	--	--	--

### KADETT E

	84→ 07.88			MR253	MK037 PK004				R1598	
→ ch.no. J 2791967 → ch.no. J 5273427 (+/-) GSi										
GSi, GSi 16V	84→ 07.88			MR253	MK037 PK004					
→ ch.no. J 2791967 → ch.no. J 5273427										
	08.88→ 91			MR253	MK037 PK004			E1003 <sup>1</sup>	R1622	
ch.no. J 2791968 → ch.no. J 5273428 → (-) GSi, GSi 16V										

### KADETT E

	09.86→ 02.93			MR253	MK037 PK004			E1003 <sup>1</sup>	R1622	
(+/-) GSi, GSi 16V										

### KADETT E

Caravan	84→ 91			MR253	MK037 PK004			E1043 <sup>1</sup>	R2655	
---------	--------	--	--	-------	----------------	--	--	--------------------	-------	--

### KADETT E

Combo	85→ 93			MR253	MK037 PK004				R2661	
-------	--------	--	--	-------	----------------	--	--	--	-------	--

### MANTA

	70→ 08.75								R1566	
	09.75→ 08.88			G22609					R1569	
(-) GT/E-GSi										
GT/E, GSi	08.77→ 07.88			G22609						

MC... =      MK... =      PK... =

OPEL,



<b>MONROE</b>	OESPECTRUM	REFLEX	ORIGINAL			OESPECTRUM	REFLEX	ORIGINAL		
	RIDESENSE	ADVENTURE				RIDESENSE	ADVENTURE	LEVELING		

### MERIVA MK I

1.4 16V, 1.6, 1.6 16V, 1.8 16V, 1.3 CDTi, 1.7 DTi, 1.7 CDTi	03.03 → 05.10	<b>742089SP</b> 	E4723 <sup>1</sup> (E4723R E4724L)	<b>G16327</b> 	MK149 MK343 <b>!79</b> PK173		23964			O/O
		<b>742090SP</b> 		<b>G16328</b> 						

**!79**

MK001, MK202, MK342, MK343, MK344, MK345, MK346, MK347 =   
 MK149, MK208, MK263R, MK264L, MK271, MK321, MK322, MK376 =   
 MK067, MK068, MK077, MK156, MK194, MK326, MK332, MK334R, MK335L, MK337, MK372 = +

### MERIVA MK II

1.4, 1.4 T, 1.4 LPG 1.3 CDTi, 1.7 CDTi, (+) <b>IND</b>	03.10 →	<b>742194SP</b> 	E7111 <sup>1</sup> (E7111R E7112L)		MK149 MK343 <b>!79</b> PK164		376135SP	E1369 <sup>1</sup>		O/O
		<b>742195SP</b> 								

### MIDI

(=) (4 x 2)	85 → 96			<b>V1038</b>				<b>V1012</b>		O/O
(=) (4 x 4)	85 → 96							<b>V1012</b>		O/O

### MOKKA

1.4, 1.6, 1.8, 1.6 D, 1.7 D	12 →		<b>D0040</b> (D0040R D0041L)					<b>D7024</b>		O/O
--------------------------------	------	--	------------------------------------	--	--	--	--	--------------	--	-----

### MONTEREY

	09.91 → 08.00		<b>D5473</b>					<b>D4479</b>		O/O
--	---------------	--	--------------	--	--	--	--	--------------	--	-----

### MOVANO

(=)	07.98 → 11.10			<b>V2079</b>				<b>V2514</b>		O/O
	07.98 → 11.10			<b>V2079</b>				<b>V2512</b>		O/O
(=)	99 → 04.10			<b>V2079</b>						O/O
(-)	05.10 →			<b>V4517</b>				<b>V2146</b>		O/O
(-)	05.10 →			<b>V4517</b>				<b>V2147</b>		O/O

### NOVA

Corsa/Nova	09.82 → 12.93									
------------	---------------	--	--	--	--	--	--	--	--	--

### OMEGA

Carlton/Omega	09.77 → 08.86									
---------------	---------------	--	--	--	--	--	--	--	--	--

MC... =      MK... =      PK... =



	OESPECTRUM	REFLEX	ORIGINAL			OESPECTRUM	REFLEX	ORIGINAL		
	RIDESENSE	ADVENTURE				RIDESENSE	ADVENTURE	LEVELING		

### OMEGA

	09.86 → 04.94									
(-) 3000 (-) Lotus										
<b>3.0i</b>	09.87 → 04.94			<b>11528</b>		MC212 MK065 PK064			<b>R3425</b>	
<b>3.0i 24 V</b>	10.89 → 04.94									
(-)										
<b>3000</b>	09.86 → 04.94									
<b>3000 24V</b>	89 → 04.94					MK055 PK064			<b>R3425</b>	
(-)										
<b>2.0, 2.2 16V</b>	03.94 → 09.03		E4507 <sup>1</sup>	<b>16656</b>		MC212 MK065 PK064		E2011 <sup>1</sup>	<b>25478</b>	
(-)										
<b>2.5 V6, 2.6 V6, 3.0 V6, 3.2 V6, 2.2 DTi, 2.5 DT, 2.5 DTi, 2.5 TD</b>	03.94 → 09.03		E4508 <sup>1</sup>	<b>G16657</b>		MC212 MK065 PK064		E2011 <sup>1</sup>	<b>25478</b>	
(-)										

### OMEGA

	09.86 → 04.94									
(-)										
<b>3.0i</b>	03.87 → 04.94			<b>11528</b>		MC212 MK065 PK064			<b>R3426</b>	
(-)										
<b>2.0, 2.2 16V</b>	03.94 → 08.03		E4507 <sup>1</sup>	<b>16656</b>		MC212 MK065 PK064		E2012 <sup>1</sup>	<b>25479</b>	
(-)										
<b>2.5 V6, 2.6 V6, 3.0 V6, 3.2 V6, 2.2 DTi, 2.5 DT, 2.5 DTi, 2.5 TD</b>	03.94 → 08.03		E4508 <sup>1</sup>	<b>G16657</b>		MC212 MK065 PK064		E2012 <sup>1</sup>	<b>25479</b>	
(-)										

### RASCAL

	07.86 → 08.93			<b>V4001</b>						
				<b>V4002</b>					<b>V1077</b>	
				<b>V4001</b>						
				<b>V4002</b>						
<b>Super Carry, TMDBM3</b>	07.86 → 08.93									

### REKORD A, B, C

	63 → 72			<b>V1063</b>					<b>R3216</b>	
--	---------	--	--	--------------	--	--	--	--	--------------	--

### REKORD D

	71 → 76			<b>V1063</b>					<b>R1566</b>	
(-) Diesel										
<b>2.1 Diesel</b>	72 → 76			<b>V1063</b>					<b>R1569</b>	

### REKORD D

<b>Sprint</b>	71 → 76			<b>V1063</b>					<b>R1566</b>	
---------------	---------	--	--	--------------	--	--	--	--	--------------	--

### REKORD D

<b>Caravan</b>	72 → 76			<b>V1063</b>					<b>G21582</b>	
----------------	---------	--	--	--------------	--	--	--	--	---------------	--

MC... =      MK... =      PK... =

OPEL,



<b>MONROE</b>	<b>OESPECTRUM</b>	<b>REFLEX</b>	<b>ORIGINAL</b>	<b>i</b>		<b>OESPECTRUM</b>	<b>REFLEX</b>	<b>ORIGINAL</b>	<b>i</b>	
	<b>RIDESENSE</b>	<b>ADVENTURE</b>				<b>RIDESENSE</b>	<b>ADVENTURE</b>	<b>LEVELING</b>		

**REKORD E**

	77→ 86										
(-) Diesel	83→ 86				PK005				R1566		
Diesel	77→ 82				PK005				R1569		

**REKORD E**

Caravan	77→ 86				PK005				G21582		
---------	--------	--	--	--	-------	--	--	--	--------	--	--

**ROYALE, SENATOR**

	09.87→ 95			11528	MC212				R3425		
--	-----------	--	--	-------	-------	--	--	--	-------	--	--

**SIGNUM**

1.8, 2.2, 3.2 V6, 2.0 DTi, 2.2 DTi (+)	02.03→ 08.04	742102SP	E7020 <sup>1</sup>	16475	MC112 MK208 MK342 I79 PK164		376122SP	E5105 <sup>1</sup>	43124		
		742103SP	(E7020R E7021L)	16476							
→ ch.no. 41999999 (-)											
3.0 V6 CDTi (+)	02.03→ 12.08				PK164		376122SP	E5105 <sup>1</sup>	43124		
(-)											
2.0 T (+)	02.03→ 12.08				MK342 MK208 I79 PK164		376122SP	E5105 <sup>1</sup>	43124		
(-)											
2.0 T, 2.2, 3.2 V6, 2.2 DTi, 3.0 V6 CDTi (+)  (+)	03→ 12.08				MK342 MK208 I79 PK164						
(-)											
1.8, 2.2, 3.2 V6, 2.0 DTi, 2.2 DTi (+)	09.04→ 12.08	742125SP	E7049 <sup>1</sup>	G8009	MK342 I79		376122SP	E5105 <sup>1</sup>	43124		
		742126SP	(E7049R E7050L)	G8010							
ch.no. 51000001 → (-)											

179

MK001, MK202, MK342, MK343, MK344, MK345, MK346, MK347 =

MK149, MK208, MK263R, MK264L, MK271, MK321, MK322, MK376 =

MK067, MK068, MK077, MK156, MK194, MK326, MK332, MK334R, MK335L, MK337, MK372 =

**SINTRA**

Sintra (-)	97→ 99	71661							37156		
---------------	--------	-------	--	--	--	--	--	--	-------	--	--

**TIGRA**

Tigra	95→ 00		E4364 <sup>1</sup>	G16203	MC212 MK017 PK004			E1095 <sup>1</sup>	23456		
-------	--------	--	--------------------	--------	-------------------------	--	--	--------------------	-------	--	--

**TIGRA TwinTop**

1.4, 1.8, 1.3 CDTi (=)	06.04→ 12.10			G16329	MK149 PK173				22712		
				G16330							

MC... =      MK... =      PK... =



	OESPECTRUM	REFLEX	ORIGINAL			OESPECTRUM	REFLEX	ORIGINAL		
	RIDESENSE	ADVENTURE				RIDESENSE	ADVENTURE	LEVELING		

1.4, 1.8, 1.3 CDTi (=)	06.04 → 12.10			G16329	MK149 PK173					
				G16330						

### VECTRA A

1.4, 1.6, 1.8, 2.0i, 1.7 D, 1.7 TD (=) (4 x 2) (+/-) GT (-) 2.5 V6	08.88 → 11.95			MG247	MK038 PK004			E1003 <sup>1</sup>	R1622		
2000 16V (=) (4 x 2) ch.no. P1000001 → ch.no. P5000001 → ch.no. P7000001 →	08.92 → 08.95										
1.8, 2.0i, 2000 16V (=) (4 x 4) (-) Turbo	08.88 → 11.95			MG247	MK038 PK004				R3425		
2000 16V (=) (4 x 2) → ch.no. NV199999 → ch.no. N1999999 → ch.no. N5999999	09.88 → 11.95										
2.5 V6 (=) (4 x 2)	08.92 → 08.95			MG247	MK038 PK004			E1003 <sup>1</sup>	43076		

### VECTRA B

	10.95 → 12.96		E4888 <sup>1</sup> (E4888R E4889L)	G16757	MC212 MK149 MK343 !79 PK075				23840		
				G16758							
	12.96 → 3.02		E4888 <sup>1</sup> (E4888R E4889L)	G16757	MC212 MK149 MK343 !79 PK075			E1199 <sup>1</sup>	23876	PK128	
				G16758							

### VECTRA C

1.6, 1.8, 2.0 T, 2.2, 1.9 CDTi, 2.0 DTi, 2.2 DTi, 3.0 CDTi (+) → ch.no. 41999999 → ch.no. 48999999 (-)	04.02 → 08.04		E7020 <sup>1</sup> (E7020R E7021L)	742102SP	16475			376122SP	E5105 <sup>1</sup>	43124	
				742103SP							
1.6, 1.8, 2.2 (+) , (+) → ch.no. 41999999 → ch.no. 48999999	04.02 → 08.04		E7020 <sup>1</sup> (E7020R E7021L)	742102SP	16475						
				742103SP							
1.9 CDTi, 2.0 DTi, 2.2 DTi, 3.0 CDTi (+) , (+)	04.02 → 01.09										
1.6, 1.8, 2.0 T, 2.2, 1.9 CDTi, 2.0 DTi, 2.2 DTi, 3.0 CDTi (+) ch.no. 51000001 → (-)	09.04 → 01.09		E7049 <sup>1</sup> (E7049R E7050L)	742125SP	G8009			376122SP	E5105 <sup>1</sup>	43124	
				742126SP							
1.6, 1.8, 2.2 (+) , (+) ch.no. 51000001 →	09.04 → 01.09										

MC... =      MK... =      PK... =

OPEL



<b>MONROE</b>	OESPECTRUM	REFLEX	ORIGINAL			OESPECTRUM	REFLEX	ORIGINAL		
	RIDESENSE	ADVENTURE				RIDESENSE	ADVENTURE	LEVELING		

**VECTRA C GTS**

1.6, 1.8, 2.0 T, 2.2, 1.9 CDTi, 2.0 DTi, 2.2 DTi, 3.0 V6 CDTi (+) <b>ND</b> → ch.no. 41999999 → ch.no. 48999999 (-)	04.02 → 08.04	742102SP	E7020 <sup>1</sup> (E7020R E7021L)	16475	MC112 MK208 MK342 <b>179</b> PK164		376122SP	E5105 <sup>1</sup>	43124		OIO
	742103SP	16476									
2.0 T, 2.2, 3.2 V6, 2.2 DTi, 3.0 V6 CDTi (+) <b>SP</b> , (+) <b>HD</b> → ch.no. 41999999 → ch.no. 48999999	4.02 → 8.04				MK342 MK208 <b>179</b> PK164						OIO
1.6, 1.8, 2.0 T, 2.2, 1.9 CDTi, 2.0 DTi, 2.2 DTi, 3.0 V6 CDTi (+) <b>ND</b> → ch.no. 51000001 (-)	09.04 → 09	742125SP	E7049 <sup>1</sup> (E7049R E7050L)	G8009	MC112 MK208 MK342 <b>179</b> PK164		376122SP	E5105 <sup>1</sup>	43124		OIO
		742126SP		G8010							
2.0 T, 2.2, 3.2 V6, 2.2 DTi, 3.0 V6 CDTi (+) <b>SP</b> , (+) <b>HD</b> ch.no. 51000001 →	09.04 → 09				MK342 MK208 <b>179</b> PK164						OIO

**179**

- MK001, MK202, MK342, MK343, MK344, MK345, MK346, MK347 =
- MK149, MK208, MK263R, MK264L, MK271, MK321, MK322, MK376 =
- MK067, MK068, MK077, MK156, MK194, MK326, MK332, MK334R, MK335L, MK337, MK372 =

**VECTRA C**

1.8, 2.0 T, 2.2, 3.2 V6, 1.9 CDTi, 2.0 DTi, 2.2 DTi, 3.0 V6 CDTi (+) <b>ND</b> → ch.no. 41999999 (-)	07.03 → 08.04	742102SP	E7020 <sup>1</sup> (E7020R E7021L)	16475	MC112 MK208 MK342 PK164		376122SP	E5105 <sup>1</sup>	43124		OIO
	742103SP	16476									
1.8, 2.0 T, 2.2, 3.2 V6, 2.2 DTi, 3.0 V6 CDTi (+) <b>SP</b> , (+) <b>HD</b> → ch.no. 41999999	07.03 → 08.04				MK342 MK208 PK164						OIO
1.8, 2.0 T, 2.2, 1.9 CDTi, 2.0 DTi, 2.2 DTi, 3.0 V6 CDTi (+) <b>ND</b> ch.no. 51000001 → (-)	09.04 → 09	742125SP	E7049 <sup>1</sup> (E7049R E7050L)	G8009	MC112 MK208 MK342 PK164		376122SP	E5105 <sup>1</sup>	43124		OIO
		742126SP		G8010							
3.2 V6 (+) <b>ND</b> ch.no. 51000001 → (-)	09.04 → 09				MK342 MK208 PK164		376122SP	E5105 <sup>1</sup>	43124		OIO
1.8, 2.0 T, 2.2, 3.2 V6, 2.2 DTi, 3.0 V6 CDTi (+) <b>SP</b> , (+) <b>HD</b> ch.no. 51000001 →	09.04 → 09				MK342 MK208 PK164						OIO

**VICEROY**

Viceroy	04.80 → 08.82				PK005				R1566		OIO
---------	---------------	--	--	--	-------	--	--	--	-------	--	-----

MC... =      MK... =      PK... =





	OESPECTRUM	REFLEX	ORIGINAL			OESPECTRUM	REFLEX	ORIGINAL		
	RIDESENSE	ADVENTURE				RIDESENSE	ADVENTURE	LEVELING		

**VICTOR, VX, VENTORA**

FE Series → ch.no. CY 199999	07.71→ 10.76										R1569					
---------------------------------	--------------	--	--	--	--	--	--	--	--	--	-------	--	--	--	--	--

**VIVARO**

2.0, 1.9 Di, 1.9 DCi, 1.9 DTi, 2.5 DTi X 83	09.00→ 07.14			V4504	MK181 PK116							V1167				
1.6 CDTi	06.14→											V1167				

**ZAFIRA A**

1.6 16V, 1.8 16V, 2.0 16V, 2.2 16V, 2.0 Di, 2.0 DTi, 2.2 DTi (-) HD (-) 2.0 T	02.99→ 06.05	742114SP 	E4963 <sup>1</sup> (E4963R E4964L)	G16790 	MC112 MK149 I79 PK075		376102SP	E1293 <sup>1</sup>	23915							
		742115SP 		G16791 												

**ZAFIRA B**

1.6, 1.8, 2.0, 2.2, 1.7 CDT, 1.9 CDTi (+) ND (-) (-)  (Panoramic)	12.05→ 12	742100SP 	E7047 <sup>1</sup> (E7047R E7048L)	G8003 	MC112 MK399 PK164		376101SP	E1359 <sup>1</sup>	G1061							
		742101SP 		G8004 												
1.6, 1.8, 2.0, 2.2, 1.7 CDT, 1.9 CDTi (+) SP (-)	07.05→ 12.12				MC112 MK399 PK164											
1.6, 1.8, 2.0, 2.2, 1.7 CDT, 1.9 CDTi (+) ND (+)  (Panoramic) (-)	07.05→ 12.12				MC112 MK399 PK164		376101SP	E1359 <sup>1</sup>	G1061							
1.6, 1.8, 2.0, 2.2 (+) HD (-) (-)  (Panoramic)	07.05→ 12.12	742100SP 	E7047 <sup>1</sup> (E7047R E7048L)	G8003 	MC112 MK399 PK164											
		742101SP 		G8004 												

**ZAFIRA C, Zafira Tourer**

1.4 Turbo, 1.6 Turbo, 1.6 CNG, 1.4 LPG (-) (-) FlexRide	09.11→				MK381							G1226				
1.4 Ecotec, 1.6 Ecotec, 1.8 Ecotec, 1.4 LPG, 1.6 CDTi, 2.0 CDTi (-) (-) FlexRide	09.11→			G8195 	MK381							G1226				
			G8196 													

**PEGASO COMMERCIALS**

**75 SERIES (J4)**

75.28, 75.32, 75.35, 75.40, 75.46, 75.50				V1026												
---	--	--	--	-------	--	--	--	--	--	--	--	--	--	--	--	--

**100 SERIES (J4)**

100.28, 100.32, 100.35, 100.40, 100.46, 100.50				V1026												
---	--	--	--	-------	--	--	--	--	--	--	--	--	--	--	--	--

MC... =      MK... =      PK... =

PEGASO



<b>MONROE</b>	OESPECTRUM	REFLEX	ORIGINAL			OESPECTRUM	REFLEX	ORIGINAL		
	RIDESENSE	ADVENTURE				RIDESENSE	ADVENTURE	LEVELING		

# PEUGEOT

## 104

<b>S</b>	A31	80→							
ch.no. 5852872 →									
<b>GL6 Export</b>									
ch.no. 5675806→ 5852671									
<b>GLS</b>		85→							
<b>ZA</b>	S11	04.78→							
ch.no. 5684442 →									
<b>ZL</b>	C11	04.78→	86		11502	MC112 PK006			
ch.no. 5684484 →									
<b>Z</b>	S11	81→							
ch.no. 5684068 →									
<b>ZS</b>	C31	04.78→	86						
ch.no. 5684068 →									
<b>ZR</b>		03.79→	84						
<b>Style Z</b>		83→							

## 106 Phase I

<b>954 cc</b>		08.91→03.96								
<b>1124 cc</b>										
<b>1527 cc Diesel</b>	TUD 5			E3419 <sup>1</sup> AK228 <i>!1</i>	MR260 AK228 <i>!1</i>	MK008 PK006		E5003 <sup>1</sup>	42043	OIO
→ ch.no. S50265608										
(-)  HD										
(-) Entreprise										
<b>954 cc</b>		08.91→03.96								
<b>1124 cc</b>										
<b>1527 cc Diesel</b>	TUD 5			E3419 <sup>1</sup> AK228 <i>!1</i>	MR260 AK228 <i>!1</i>	MK010 PK006		E5003 <sup>1</sup>	42043	OIO
ch.no. S50265609 →										
(-)  HD										
(-) Entreprise										
<b>1360 Carb.</b>	TU 32	08.91→03.96								
<b>1360 Mono Inj.</b>	TU 3 M									
<b>1360 Multi Inj.</b>	TU 3 FJ									
<b>1580 Multi Inj.</b>	TU 5 JP									
	TU 5 J 2									
<b>1360 Diesel</b>				E3419 <sup>1</sup> AK228 <i>!1</i>	MR260 AK228 <i>!1</i>	MK008 PK006			42051	OIO
<b>Entreprise</b>										
→ ch.no. S50265608										
(-)  HD										
(-) Rallye TU 2 J 2										
<b>1360 Carb.</b>	TU 32	08.91→03.96								
<b>1360 Mono Inj.</b>	TU 3 M									
<b>1360 Multi Inj.</b>	TU 3 FJ									
<b>1580 Multi Inj.</b>	TU 5 JP									
	TU 5 J 2									
<b>1360 Diesel</b>				E3419 <sup>1</sup> AK228 <i>!1</i>	MR260 AK228 <i>!1</i>	MK010 PK006			42051	OIO
<b>Entreprise</b>										
ch.no. S50265609 →										
(-)  HD										
(-) Rallye TU 2 J 2										
<b>1360 Multi Inj.+ Cat.</b>	TU 3 FM	06.93→06.96								
<b>106</b>		08.91→04.96		E3419 <sup>1</sup> AK228 <i>!1</i>	MR260 AK228 <i>!1</i>	MK008 PK006		E5047 <sup>1</sup>		OIO
(+  HD)										
→ ch.no. S50265608										

MC... =      MK... =      PK... =



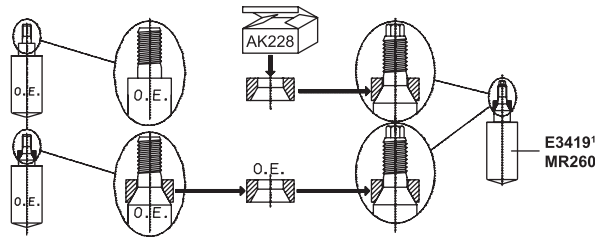
<b>MONROE</b>	OESPECTRUM	REFLEX	ORIGINAL			OESPECTRUM	REFLEX	ORIGINAL		
	RIDESENSE	ADVENTURE				RIDESENSE	ADVENTURE	LEVELING		

<b>1360</b> Multi Inj.+ Cat. TU 3 FM	06.93 → 06.96											
<b>106</b> (+)	08.91 → 04.96		E3419 <sup>1</sup> AK228 <b>!1</b>	<b>MR260</b> AK228 <b>!1</b>	MK010 PK006			E5047 <sup>1</sup>				OIO
ch.no. S50265609 →												
<b>1294</b> Inj. Rallye TU 2 J 2 → ch.no. S50265608	08.91 → 03.96			<b>MR260</b> AK228 <b>!1</b>	MK008 PK006				<b>42051</b>			OIO
<b>1294</b> Inj. Rallye TU 2 J 2 ch.no. S50265609 →	08.91 → 03.96			<b>MR260</b> AK228 <b>!1</b>	MK010 PK006				<b>42051</b>			OIO

**106 Phase II**

<b>954 cc, 1124 cc</b>	04.96 → 07.04		E3419 <sup>1</sup> AK228 <b>!1</b>	<b>MR260</b> AK228 <b>!1</b>	MK010 PK006			E5003 <sup>1</sup>	<b>42043</b>			OIO
<b>1360 cc, 1580 cc, Diesel</b> (-) Rallye (-) GTi (-) 16 V	04.96 → 07.04		E3419 <sup>1</sup> AK228 <b>!1</b>	<b>MR260</b> AK228 <b>!1</b>	MK010 PK006			E5047 <sup>1</sup>				OIO
<b>Rallye, 16V, GTi</b>	04.96 → 07.04			<b>MR260</b> AK228	MK010							OIO
<b>Entreprise</b>	04.96 → 03.01		E3419 <sup>1</sup> AK228 <b>!1</b>	<b>MR260</b> AK228 <b>!1</b>	MK010 PK006				<b>42051</b>			OIO

**!1**



**107**

<b>1.0, 1.4 Hdi</b>	06.05 → 05.14			<b>G7019</b> 	MK351 PK178				<b>G1075</b>	PK333	
				<b>G7020</b> 							

**108**

<b>1.0, 1.2</b>	05.14 →			<b>G7019</b> 	MK351 PK178				<b>G1075</b>	PK333	
				<b>G7020</b> 							

**204, 304**

<b>204, 304 S</b> <b>304</b>	03.70 → 76 03.70 → 08.77			<b>MR927</b>								
<b>304</b> ch.no. 4031501 →	08.77 → 10.80			<b>MR839</b>								

MC... =      MK... =      PK... =

PEUGEOT



<b>MONROE</b>	OESPECTRUM	REFLEX	ORIGINAL			OESPECTRUM	REFLEX	ORIGINAL		
	RIDESENSE	ADVENTURE				RIDESENSE	ADVENTURE	LEVELING		

**205**

(-) CT/CTi/GTi (-) Rally (-) Turbo Diesel (-) Gentry	02.83 → 09.98		E4404 <sup>1</sup>	11505	MK011 PK006			E5001 <sup>1</sup>	R2647		
GTi 1.6, 1.9	02.83 → 09.98				MK011 PK006				42041		
Ralley	10.87 → 10.90										
Turbo Diesel	01.90 → 09.98			11557 	MK011 PK006			E5001 <sup>1</sup>	42041		
Gentry				11558 							

**205**

CT, CJ	04.86 → 12.94		E4404 <sup>1</sup>	11505	MK011 PK006			E5001 <sup>1</sup>	42041		
CTi	04.86 → 12.94			11522	MK011 PK006			E5001 <sup>1</sup>	42041		

**205 ENTREPRISE**

1.1, 1.4	02.83 → 05.97			11505	MK011 PK006				42041		
1.8 D, 1.8 TD	02.83 → 12.94			11505	MK011 PK006				42053		

**205 FOURGONNETTE**

1.8 D → ch.no. 25434222	03.94 → 05.97			11522					42058		
1.8 D ch.no. 25434223 →	03.94 → 05.97								42058		

**206, 206+**

1.1i (-) Stabilizer Bar (-) <b>HD</b> (-) Entrepise	09.98 → 06.13		E4880 <sup>1</sup> (E4880R E4881L)	16749 	MK001 MK143R MK144L			E5086 <sup>1</sup>	43108		
				16750 	MK145R MK146L						
1.1i (+) Stabilizer Bar (-) <b>HD</b> (-) Entrepise	09.98 → 06.13		E4880 <sup>1</sup> (E4880R E4881L)	16749 	MK001 MK143R MK144L			E5086 <sup>1</sup>	43109		
				16750 	MK145R MK146L						
1.4i, 1.4 HDi, 1.9 D 1.6i 65 kW	09.98 → 06.13 09.98 → 12.00			G16446 	MK001 MK143R MK144L			E5086 <sup>1</sup>	43109		
(-) <b>HD</b> (-) Entrepise				G16447 	MK145R MK146L						
1.6 16V XT (-) <b>HD</b> (-) Entrepise	12.00 → 12.10		E4985 <sup>1</sup> (E4985R E4986L)	16440 	MK143R MK144L			E5086 <sup>1</sup>	43122		
				16441 	MK145R MK146L						

MC... =      MK... =      PK... =



	OESPECTRUM	REFLEX	ORIGINAL			OESPECTRUM	REFLEX	ORIGINAL		
	RIDESENSE	ADVENTURE				RIDESENSE	ADVENTURE	LEVELING		

1.6 16V XS 2.0 S16, GTi (-)	12.00 → 04.09 04.99 → 02.07		E4985 <sup>1</sup> (E4985R E4986L)	16440	MK143R MK144L					
				16441	MK145R MK146L <b>I3</b> PK085					
1.6 HDi, 2.0 HDi (-)	09.99 → 02.07		E4985 <sup>1</sup> (E4985R E4986L)	16440	MK143R MK144L					
				16441	MK145R MK146L <b>I3</b> PK085					
1.1i, 1.6i, 1.9 D Entreprise (-) 1.4 HDi (-)	09.98 → 02.07			G16446	MK001 MK143R MK144L					
				G16447	MK145R MK146L <b>I3</b> PK085					
1.4 HDi Entreprise → OrgN. 09190 (-)	09.98 → 03.09			G16446	MK001 MK143R MK144L					
				G16447	MK145R MK146L <b>I3</b> PK085					
1.4 HDi Entreprise OrgN. 09191 → (-)	09.98 → 06.13			G16446	MK001 MK143R MK144L					
				G16447	MK145R MK146L <b>I3</b> PK085					
206 (+)	09.98 → 12.10			16438	MK143R MK144L					
				16439	MK145R MK146L <b>I3</b> PK085					

**I3**

BERLINE		ENTREPRISE	
MK143R, MK144L	MK145R, MK146L	MK143R, MK144L	MK145R, MK146L
1.1 TU1JP ⊙, +Stab.Bar	1.1 TU1JP ⊙, no Stab.Bar		
	1.1 TU1JP ⊙,		
1.4 TU3JP ⊙			
1.6 TU5JP			
1.6 16 V TU5JP4			
2.0 16 V EW10J4			
1.9D DW8, DW8B			1.9 D DW8, DW8B
2.0D DW10TD		2.0 D DW10TD	
HDI DV4TD 5	HDI DV4TD 3		HDI DV4TD

**206 CC**

	07.00 → 02.07	742180SP	E4973 <sup>1</sup> (E4973R E4974L)		MK001 MK143R MK144L PK362														
		742181SP																	
										376166SP	E5099 <sup>1</sup>								

**206 SW**

1.1, 1.4 XS, 1.4 HDi (-)	07.02 → 02.07			G16446	MK001 MK143R MK144L PK362					
				G16447						
1.6 XS, 2.0 GTi, 1.6 HDi, 2.0 HDi (-)	07.02 → 02.07		E4985 <sup>1</sup> (E4985R E4986L)	16440	MK001 MK143R MK144L PK362					
				16441						

MC... =      MK... =      PK... =

PEUGEOT

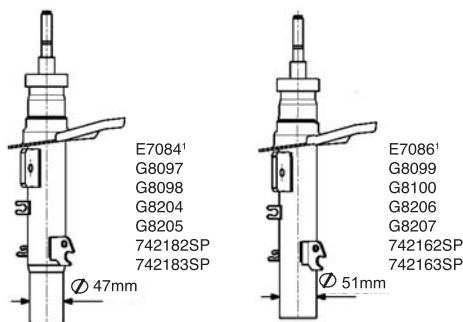


<b>MONROE</b>	OESPECTRUM	REFLEX	ORIGINAL			OESPECTRUM	REFLEX	ORIGINAL		
	RIDESENSE	ADVENTURE				RIDESENSE	ADVENTURE	LEVELING		

**207, 207+**

1.4, 1.4 16V (+)	02.06 → 12.15	742182SP	E7084 <sup>1</sup> (E7084R E7085L)	G8097	!74 Ø 47mm MK001 MK321 !79 PK150		376118SP	E7806 <sup>1</sup>	G2108			OIO
		742183SP		G8098								
1.4 HDi → OrgN. 10933	02.06 → 12.15	742162SP	E7086 <sup>1</sup> (E7086R E7087L)	G8099	!74 Ø 51mm MK001 MK321 !79 PK150		376118SP	E7806 <sup>1</sup>	G2108			OIO
1.6 16V, 1.6 HDi (+)	03.07 → 12.12	742163SP		G8100								
1.4 HDi OrgN. 10934 → 11500 OrgN. 11501 → (+)	02.06 → 12.15	742182SP	E7084 <sup>1</sup> (E7084R E7085L)	G8097	!74 Ø 47mm MK001 MK321 !79 PK150		376118SP	E7806 <sup>1</sup>	G2108			OIO
		742183SP		G8098								
		742162SP	E7086 <sup>1</sup> (E7086R E7087L)	G8099	!74 Ø 51mm MK001 MK321 !79 PK150							
		742163SP		G8100								
1.6 16V Turbo, RC, VTi (+)	10.09 → 12.12	742162SP	E7086 <sup>1</sup> (E7086R E7087L)	G8099	!74 Ø 51mm MK001 MK321 !79 PK150							
		742163SP		G8100								

**!74**



**207 SW**

1.4, 1.4 16V +	08.07 → 12.12	742182SP	E7084 <sup>1</sup> (E7084R E7085L)	G8097	!74 Ø 47mm MK001 MK321 !79 PK150		376118SP	E7806 <sup>1</sup>	G2108			OIO
		742183SP		G8098								
1.6 16V, 1.6 HDi +	06.07 → 10.13	742162SP	E7086 <sup>1</sup> (E7086R E7087L)	G8099	!74 Ø 51mm MK001 MK321 !79 PK150		376118SP	E7806 <sup>1</sup>	G2108			OIO
		742163SP		G8100								
1.6 16V RC +	02.07 → 12.12	742162SP	E7086 <sup>1</sup> (E7086R E7087L)	G8099	!74 Ø 51mm MK001 MK321 !79 PK150							
		742163SP		G8100								

**!79**

MK001, MK202, MK342, MK343, MK344, MK345, MK346, MK347 =   
 MK149, MK208, MK263R, MK264L, MK271, MK321, MK322, MK376 =   
 MK067, MK068, MK077, MK156, MK194, MK326, MK332, MK334R, MK335L, MK337, MK372 = +

MC... =	MK... =	PK... =
---------	---------	---------



<b>MONROE</b>	OESPECTRUM	REFLEX	ORIGINAL			OESPECTRUM	REFLEX	ORIGINAL		
	RIDESENSE	ADVENTURE				RIDESENSE	ADVENTURE	LEVELING		

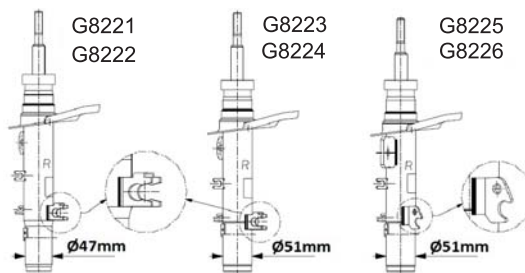
**207 CC**

1.6 16V Turbo, RC, VTi +	11.06 → 10.13	742182SP	E7084 <sup>1</sup> (E7084R E7085L)	G8097	!74 Ø 47mm MK001 MK321 !79 PK150		376118SP	E7806 <sup>1</sup>	G2108			Ø10
		742183SP		G8098								
		742162SP	E7086 <sup>1</sup> (E7086R E7087L)	G8099	!74 Ø 51mm MK001 MK321 !79 PK150							
		742163SP		G8100								
1.6 16V, 1.6 HDi +	11.06 → 01.15	742182SP	E7084 <sup>1</sup> (E7084R E7085L)	G8097	!74 Ø 47mm MK001 MK321 !79 PK150		376118SP	E7806 <sup>1</sup>	G2108			Ø10
		742183SP		G8098								
		742162SP	E7086 <sup>1</sup> (E7086R E7087L)	G8099	!74 Ø 51mm MK001 MK321 !79 PK150							
		742163SP		G8100								

**208**

1.0 Vti, 1.2 Vti, 1.4 Vti, 1.6 Vti, 1.6 HDi (=) Susp. Type 1	12 →		G8221	!82 Ø 47mm MK001 MK382		G1177			Ø10
1.6 Gti, 1.4 HDi (=) Susp. Type 1, 2 & 3 (=) Susp. Type 1, 3	12 →		G8223	!82 Ø 51mm MK001 MK382		G1177			Ø10
			G8224						
1.6 Gti, 1.4 HDi (=) Susp. Type 4	12 →		G8225	!82 Ø 51mm MK001 MK382		G1177			Ø10
			G8226						
1.6 Gti, 1.4 HDi (=) Susp. Type 5	12 →		G8225	!82 Ø 51mm MK001 MK382		G2108			Ø10
			G8226						

**!82**



MC... =	MK... =	PK... =
---------	---------	---------

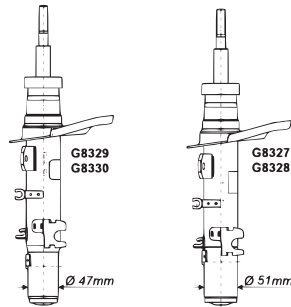


<b>MONROE</b>	OESPECTRUM	REFLEX	ORIGINAL			OESPECTRUM	REFLEX	ORIGINAL		
	RIDESENSE	ADVENTURE				RIDESENSE	ADVENTURE	LEVELING		

**301**

1.2 Vti, 1.6 Vti, 1.6 LPG, 1.6 HDi	11.12→			G8329	Ø 47 mm 193		G1257		
				G8330					
				G8327	Ø 51 mm 193				
				G8328					

**193**

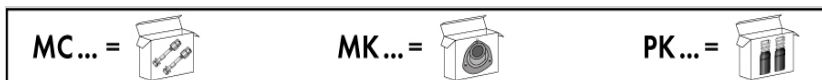


**305**

GL, GR, SR, GLS	77→ 82								
GLD, GRD	79→ 82			MR839					
S, SRD	81→ 82								
→ ch.no. 8870212									
GL, GR, SR, GLS, GLD, GRD, SRD	82→ 06.82			MR839			R6519		
ch.no. 8870212→ 8987000									
GL 1127/1290/1472 cc GR 1127/1290 cc GLS 1472 cc SR 1472 cc GLD, GRD, SRD	07.82→ 88			11504	MK011 PK006		R6519		
ch.no. 8987001 →									
GR, SR 1580 cc ch.no. 9524001 →	86→ 88								
GT 1580 cc ch.no. 8987001 →	83→ 88								
GL, S 5, Aut. 1580 cc ch.no. 9370001 →	85→ 88			11504	MK011 PK006				
GT 1905 cc ch.no. 9524001 →	86→ 88								
GTX 1905 cc ch.no. 9370001 →	85→ 88								

**305 FOURGONNETTE**

305 → ch.no. 8987000	78→ 06.82			MR839			R6528	152	
305 ch.no. 8987001 →	07.82→ 89			11504	MK011 PK006		R6528	152	







	OESPECTRUM	REFLEX	ORIGINAL			OESPECTRUM	REFLEX	ORIGINAL		
	RIDESENSE	ADVENTURE				RIDESENSE	ADVENTURE	LEVELING		

**306**

1124	TU 1 M	04.93→02.97		E7062 <sup>1</sup> (E7062R E7063L)	R8001 R8002	MK097 MK098 <b>!39</b> PK006			42054		OIO
1360	TU 3 M	04.93→02.97			R8001						
1360	TU 32	02.97→01		E7062 <sup>1</sup> (E7062R E7063L)	R8001 R8002	MK097 MK098 <b>!39</b> PK006			42053		OIO
1360	TU 3 JP	02.97→07.01			R8002						
1360	TU 3 M	04.93→02.97									
1360	TU 32										
1360	TU 3 M	04.93→02.97									
1360	TU 32										
1580	XU 5 JP	02.97→05.01		E7062 <sup>1</sup> (E7062R E7063L)	R8001	MK097 MK098 <b>!39</b> PK006		E5001 <sup>1</sup>	42058		OIO
1761	XU 7 JP 4										
1700 D	XU D 7										
2.0 HDi	DW 10 TD										
1587	TU 5 JP										
1761	XU 7 JP										
1900 D	XUD 9										
1900 TD	XUD 9 TE										
1700 D	XUD 7										
1360	TU 3 JP	02.97→07.01			R8002						
1360	TU 3 M	04.93→02.97									
1360	TU 32										
1360	TU 3 M	04.93→02.97									
1360	TU 32										
1580	TU 5 JP	04.93→02.97		E7062 <sup>1</sup> (E7062R E7063L)	R8001	MK097 MK098 <b>!39</b> PK006		E5001 <sup>1</sup>	42058		OIO
1761	XU 7 JP										
1700 D	XU D 7										
1900 D	XU D 9										
1900 TD	XU D 9 TE										
1998	XU 10 J 4 R	02.97→05.01			R8002						
1998	XU 10 J 4 RS										
2.0	XU 10 J 2	04.93→02.97		E4957 <sup>1</sup> (E4957R E4958L)	G16422 G16423	MK097 MK098 <b>!39</b> PK006		E5001 <sup>1</sup>	42058		OIO
2.0 16V	XU 10 J 4										
		94→02.97				MK097 MK098 <b>!39</b>		E5001 <sup>1</sup>	42058		OIO
		02.97→07.01		E7062 <sup>1</sup> (E7062R E7063L)	R8001 R8002	MK097 MK098 <b>!39</b> PK006			42041		OIO
		02.97→07.01		E7062 <sup>1</sup> (E7062R E7063L)	R8001 R8002	MK097 MK098 <b>!39</b> PK006			42054		OIO

**!39**

<u>MK098:</u>	<u>MK097:</u>
TU, XU, XUD →2.97	TU, XU, XUD →2.97
HD,	HD,
ex Sport, Cabrio	
	Sport, Cabrio →2.97
	ALL ex TU 2.97→
TU  2.97→	TU  2.97→
	Entreprise, Cabrio 2.97→

MC... =      MK... =      PK... =



	OESPECTRUM	REFLEX	ORIGINAL			OESPECTRUM	REFLEX	ORIGINAL		
	RIDESENSE	ADVENTURE				RIDESENSE	ADVENTURE	LEVELING		

**306**

		06.94 → 02.97		E7062 <sup>1</sup> (E7062R E7063L)	R8001 R8002	MK097 MK098 <b>139</b> PK006			E5001 <sup>1</sup>	42058			
(-) HD													
		06.94 → 02.97				MK097 MK098 <b>139</b> PK006			E5001 <sup>1</sup>	42058			
(+) HD													
1360 1360 1580 1580 1761 1761 1900 D	TU 3-2 TU 3 JP TU 5 JP XU 5 JP XU 7 JP XU 7 JP 4 XU D 9	02.97 → 05.01		E7062 <sup>1</sup> (E7062R E7063L)	R8001 R8002	MK097 MK098 <b>139</b> PK006			E5001 <sup>1</sup>	42058			
(-) HD													
1998 1900 TD 2.0 HDi	XU 10 J 4 R XU D 9 TE DW 10 TD	05.97 → 05.01		E7062 <sup>1</sup> (E7062R E7063L)	R8001 R8002	MK097 MK098 <b>139</b> PK006				42054			
		02.97 → 05.01		E7062 <sup>1</sup> (E7062R E7063L)	R8001 R8002	MK097 MK098 <b>139</b> PK006				42041			
(+) HD													

**306**

		03.94 → 02.97		E4957 <sup>1</sup> (E4957R E4958L)	G16422 G16423	MK097 MK098 <b>139</b> PK006			E5001 <sup>1</sup>	42058			
		02.97 → 12.02		E7062 <sup>1</sup> (E7062R E7063L)	R8001 R8002	MK097 MK098 <b>139</b> PK006			E5001 <sup>1</sup>	42058			

**306**

		03.97 → 04.02		E7062 <sup>1</sup> (E7062R E7063L)	R8001 R8002	MK097 MK098 <b>139</b> PK006				42041			

**306 ENTREPRISE**

		07.93 → 08.02			R8001 R8002	MK097 MK098 <b>139</b> PK006				42058			

**139**

<u>MK098:</u>		<u>MK097:</u>	
TU, XU, XUD	-->2.97	TU, XU, XUD	-->2.97
HD,		HD,	
ex Sport, Cabrio		Sport, Cabrio	-->2.97
		ALL ex TU	2.97->
TU	2.97->	TU	2.97->
		Entreprise, Cabrio	2.97->

MC... =      MK... =      PK... =



<b>MONROE</b>	OESPECTRUM	REFLEX	ORIGINAL			OESPECTRUM	REFLEX	ORIGINAL		
	RIDESENSE	ADVENTURE				RIDESENSE	ADVENTURE	LEVELING		

**307**

1.4, 1.6 16V, 2.0 16V, 1.4 HDi, 1.6 HDi, 2.0 HDi (+)	03.01 → 04.12	742091SP	E4755 <sup>1</sup> (E4755R E4756L)	G7265	MC112 MK001 MK196 PK124			376085SP	E2056 <sup>1</sup>	25504	MK205 PK131	
		742092SP		G7266								
1.4, 1.6 16V, 2.0 16V, 1.4 HDi, 1.6 HDi, 2.0 HDi (+)	03.01 → 04.12			G7267	MC112 MK001 MK196 PK124			376115SP	E2057 <sup>1</sup>		MK205 PK131	
				G7268								

**307 SW**

1.6 16V, 2.0 16V, 1.6 HDi, 2.0 HDi (+)	03.02 → 12.09	742091SP	E4755 <sup>1</sup> (E4755R E4756L)	G7265	MC112 MK001 MK196 PK124			376103SP	E2058 <sup>1</sup>	25505	MK205 PK131	
		742092SP		G7266								
1.6 16V, 2.0 16V, 1.6 HDi, 2.0 HDi (+) (+/-) Entrepise	03.02 → 12.09			G7267	MC112 MK196 PK124 MK001			376115SP	E2057 <sup>1</sup>		MK205 PK131	
				G7268								

**307 CC**

1.6, 2.0, 2.0 HDi	10.03 → 04.09	742091SP	E4755 <sup>1</sup> (E4755R E4756L)	G7265	MC112 MK196 PK124 MK001			376145SP	E2060 <sup>1</sup>		MK205 PK131	
		742092SP		G7266								

**308**

1.4, 1.6, 1.6 HDi (-) (-) 1.6 Turbo	09.07 → 10.14			G7329	MK001 MK322 !79 PK124			376116SP	E2074 <sup>1</sup>	G2217	PK131	
				G7330								
1.6 Turbo (-) GTi (147 kW)	09.07 → 10.14			G8127	MK001 MK322 !79 PK124						PK131	
				G8128								
2.0 HDi (-)	09.07 → 10.14			G8127	MK001 MK322 !79 PK124			376116SP	E2074 <sup>1</sup>	G2217	PK131	
				G8128								

**!79**

MK001, MK202, MK342, MK343, MK344, MK345, MK346, MK347 =   
 MK149, MK208, MK263R, MK264L, MK271, MK321, MK322, MK376 =   
 MK067, MK068, MK077, MK156, MK194, MK326, MK332, MK334R, MK335L, MK337, MK372 = +

**308**

1.4, 1.6, 1.6 HDi (-)	09.07 → 10.14			G7329	MK001 MK322 !79 PK124			376133SP	E2075 <sup>1</sup>	G2218	PK131	
				G7330								
1.6 Turbo, 2.0 HDi (-) (-) GTi (147 kW)	09.07 → 10.14			G8127	MK001 MK322 !79 PK124			376133SP	E2075 <sup>1</sup>	G2218	PK131	
				G8128								

MC... =     
 MK... =     
 PK... =

PEUGEOT



	OESPECTRUM	REFLEX	ORIGINAL			OESPECTRUM	REFLEX	ORIGINAL		
	RIDESENSE	ADVENTURE				RIDESENSE	ADVENTURE	LEVELING		

**308**

1.2 VTi, 1.2 THP, 1.6 VTi, 1.6 THP, 1.6 HDi, 1.6 BlueHDi / e-HDi, 2.0 BlueHDi / e-HDi (+) GT (-) GTi (-) $\pm$	11.13→			<b>G8311</b>				<b>G1240</b>		$\frac{\perp}{\circ}$
1.2 VTi, 1.2 THP, 1.6 VTi, 1.6 THP, 1.6 HDi, 1.6 BlueHDi / e-HDi, 2.0 BlueHDi / e-HDi (+) GT (-) GTi (+) $\pm$	11.13→							<b>G1240</b>		$\frac{\perp}{\circ}$

**308 CC**

1.6, 1.6 Turbo, 2.0i, 2.0 HDi (-) GTi (147 kW)	02.09→12.14			<b>G8127</b> 	<b>MK001</b> <b>MK322</b> <b>179</b> <b>PK124</b>				<b>PK131</b>	$\frac{\perp}{\circ}$
				<b>G8128</b> 						

**179**

MK001, MK202, MK342, MK343, MK344, MK345, MK346, MK347 =   
 MK149, MK208, MK263R, MK264L, MK271, MK321, MK322, MK376 =   
 MK067, MK068, MK077, MK156, MK194, MK326, MK332, MK334R, MK335L, MK337, MK372 = +

**309**

 (-) GTi	10.85→08.89									$\frac{\perp}{\circ}$
 (-) GTi (-) 1.9 (-) Turbo Diesel	09.89→10.93			<b>11522</b>	<b>MK011</b> <b>PK006</b>			<b>E5001<sup>1</sup></b>	<b>R2647</b>	$\frac{\perp}{\circ}$
<b>GTi</b> (-) 16V	07.86→10.93				<b>MK011</b> <b>PK006</b>				<b>42041</b>	$\frac{\perp}{\circ}$
<b>1.9 Turbo Diesel</b>	09.89→10.93				<b>MK011</b> <b>PK006</b>			<b>E5001<sup>1</sup></b>	<b>42058</b>	$\frac{\perp}{\circ}$
<b>GTi 16V</b>	08.89→12.99				<b>MK011</b>				<b>42041</b>	$\frac{\perp}{\circ}$

**403**

	59→66		$\emptyset$	$\emptyset$				<b>R5410</b>		$\frac{\perp}{\perp}$
--	-------	--	-------------	-------------	--	--	--	--------------	--	-----------------------

**404**

	02.60→08.65							<b>R5410</b>		$\frac{\perp}{\perp}$
 ch.no. 5065744 →	09.65→12.75			<b>MR904</b>				<b>R5410</b>		$\frac{\perp}{\perp}$

**404 FAMILIAL, COMMERCIAL**

	09.65→12.75			<b>MR904</b>						$\frac{\perp}{\perp}$
<b>U 8, U 10</b>	09.65→12.75			<b>MR904</b>				<b>R5433</b>		$\frac{\perp}{\perp}$

MC... =      MK... =      PK... =



	OESPECTRUM	REFLEX	ORIGINAL			OESPECTRUM	REFLEX	ORIGINAL		
	RIDESENSE	ADVENTURE				RIDESENSE	ADVENTURE	LEVELING		

**405** (4 x 2)

(-) HD (-) T 16	87→07.92			11548	MK019 PK006				43063		
(-) SRi/STi/Mi 16 (-) T 16 (-) HD	07.92→12.95			11616	MK012 PK006				43063		
<b>SRi, STi, Mi 16</b>	07.92→96			11548	MK012 PK006				43063		
<b>405</b> (+) HD	06.87→05.97			11434					43063		

**405** (4 x 4)

<b>GR x 4, SR x 4, Mi 16 x 4</b>	06.87→07.92			11548	MK019 PK006			∅	∅		
	08.92→05.97			11616	MK012 PK006			∅	∅		

**405** (4 x 2)

(+) Entrepise	06.87→07.92			11548	MK019 PK006				43063		
	08.92→05.97			11616	MK012 PK006				43063		

**405** (4 x 4)

	06.87→07.92			11548	MK019 PK006			∅	∅		
	08.92→05.97			11616	MK012 PK006			∅	∅		

**406**

(-) HD (-)	08.95→10.04		E4886 <sup>1</sup> (E4886R E4887L)	11753 	MK115 PK087				R6652	MK186 PK103	
				11754 							
(+) HD (-)	08.95→10.04		E4869 <sup>1</sup> (E4869R E4870L)	G7487 				E2033 <sup>1</sup>	R6653	MK186 PK103	
				G7488 							

**406**

<b>406</b> (-)	03.97→12.04		E4886 <sup>1</sup> (E4886R E4887L)	11753 	MK115 PK087			E2038 <sup>1</sup>	G2237	MK186	
				11754 							

**406**

(-) HD (-)	10.96→10.04		E4886 <sup>1</sup> (E4886R E4887L)	11753 	MK115 PK087			E2033 <sup>1</sup>	R6653	PK103	
				11754 							
(+) HD (-)	10.96→10.04		E4869 <sup>1</sup> (E4869R E4870L)	G7487 				E2033 <sup>1</sup>	R6653	PK103	
				G7488 							

MC... =      MK... =      PK... =

PEUGEOT



<b>MONROE</b>	OESPECTRUM	REFLEX	ORIGINAL			OESPECTRUM	REFLEX	ORIGINAL		
	RIDESENSE	ADVENTURE				RIDESENSE	ADVENTURE	LEVELING		

**407**

1.6 HDi → OrgN. 10401	03.04 → 12.10	<b>376183SP</b>	E2061 <sup>1</sup>	<b>26669</b>	MK319 PK188		<b>376109SP</b>	E2064 <sup>1</sup>	<b>26671</b>	PK313	
1.7, 1.8, 2.0 (+) (-) 16" Wheels	06.04 → 12.10										
1.6 HDi → OrgN. 10401	06.04 → 12.10	<b>376183SP</b>	E2061 <sup>1</sup>	<b>26669</b>	MK320 PK188		<b>376109SP</b>	E2064 <sup>1</sup>	<b>26671</b>	PK313	
1.7, 1.8, 2.0 (+) (-) 17" Wheels											
1.6 HDi OrgN. 10402 →	06.04 → 12.10	<b>376129SP</b>	E2062 <sup>1</sup>	<b>26670</b>	MK319 PK188		<b>376109SP</b>	E2064 <sup>1</sup>	<b>26671</b>	PK313	
2.2, 2.0 HDi, 2.2 HDi (+) 16" Wheels (-)											
1.6 HDi OrgN. 10402 →	06.04 → 12.10	<b>376129SP</b>	E2062 <sup>1</sup>	<b>26670</b>	MK320 PK188		<b>376109SP</b>	E2064 <sup>1</sup>	<b>26671</b>	PK313	
2.2, 2.0 HDi, 2.2 HDi (+) 17" Wheels (-)											
3.0, 2.7 HDi (+) (-)	03.04 → 12.10				MK324						

**407 SW**

1.6 HDi → OrgN. 10401	08.04 → 12.10	<b>376183SP</b>	E2061 <sup>1</sup>	<b>26669</b>	MK319 PK188		<b>376109SP</b>	E2064 <sup>1</sup>	<b>26671</b>	PK313	
1.7, 1.8, 2.0 (+) 16" Wheels (-)											
1.6 HDi → OrgN. 10401	08.04 → 12.10	<b>376183SP</b>	E2061 <sup>1</sup>	<b>26669</b>	MK320 PK188		<b>376109SP</b>	E2064 <sup>1</sup>	<b>26671</b>	PK313	
1.7, 1.8, 2.0 (+) 17" Wheels (-)											
1.6 HDi OrgN. 10402 →	08.04 → 12.10	<b>376129SP</b>	E2062 <sup>1</sup>	<b>26670</b>	MK319 PK188		<b>376109SP</b>	E2064 <sup>1</sup>	<b>26671</b>	PK313	
2.2, 2.0 HDi, 2.2 HDi (+) 16" Wheels (-)											

MC... =      MK... =      PK... =



	OESPECTRUM	REFLEX	ORIGINAL			OESPECTRUM	REFLEX	ORIGINAL		
	RIDESENSE	ADVENTURE				RIDESENSE	ADVENTURE	LEVELING		

1.6 HDi OrgN. 10402→	08.04→12.10										
2.2, 2.0 HDi, 2.2 HDi (+) 17" Wheels (-)		376129SP	E2062 <sup>1</sup>	26670	MK320 PK188		376109SP	E2064 <sup>1</sup>	26671	PK313	
3.0, 2.7 HDi (+) (-)	08.04→12.10				MK324						

**407**

2.2, 2.0 HDi (+) 16" Wheels (-)	08.05→12.10				MK319 PK188						
2.2, 2.0 HDi (+) 17" Wheels (-)	08.05→12.10				MK320 PK188						
3.0, 2.7 HDi, 3.0 HDi (+) (-)	08.05→12.10				MK324						

**408**

1.6 THP, 1.6, 1.6 Vti, 2.0, 1.6 HdI	06.10→			G7329 							
				G7330 							

**504**

GL, Ti	68→76										
GLD → ch.no. 2181356	70→76			MR916					R5418		
GLD, Ti ch.no. 2181357 →	76→80			MR205					R5418		
GL ch.no. 2181356 → 3972015	76→85										
GL ch.no. 3972016 →	85→10.99			MR999	PK024				R5418		
L, LD → ch.no. 2181356	73→76			MR916					R5410		
L, LD ch.no. 2181357 →	76→80										
SRD	80→83			MR205					R5410		
GR, SR, GRD → ch.no. 3972015	80→85										
GR, SR, GRD ch.no. 3972016 →	85→10.99			MR999	PK024				R5410		

**504**

 → ch.no. 2085065	68→76			MR916					R5418		
 ch.no. 2085066 →	76→83			MR205					R5418		

MC... =      MK... =      PK... =

PEUGEOT



<b>MONROE</b>	OESPECTRUM	REFLEX	ORIGINAL			OESPECTRUM	REFLEX	ORIGINAL		
	RIDESENSE	ADVENTURE				RIDESENSE	ADVENTURE	LEVELING		

**504 FAMILIAL, COMMERCIAL**

L, LD, GL, GLD → ch.no. 2181356	72 → 76			MR916					R6616		
GL, GLD	76 → 80										
L, LD, GR, GRD ch.no. 2181357 → 2972015	76 → 85			MR205					R6616		
 ch.no. 3972016 →	85 → 10.99			MR999	PK024				R6616		

**504**

 → ch.no. 3610000	79 → 82								R5433		
 ch.no. 3610001 → 3972015	82 → 05.85			MR208	(M12)				R5433		
 ch.no. 3972016 →	05.85 → 10.99			MR261	(M14)				R5433		

**505**

GL, GR, SR, STi, Turbo Injection, GLD, GRD, SRD, SRD Turbo → ch.no. 1845000	79 → 85										
SL, Ti, GTi, GTD Turbo, GRD Turbo ch.no. 1469622 → 1845000	83 → 85			MR999	PK024				R5418		
Turbo Injection ch.no. 1469622 → 1887751	83 → 86										
GL, SL, GR, SR, GTi, GLD, GRD, SRD, SRD Turbo, GTD Turbo, GRD Turbo ch.no. 1845001 →	86 → 12.93			MR223	MK001 PK007				R5418		
Turbo Injection ch.no. 1887751 → (-)	86 → 12.93										
Turbo Injection ch.no. 1965001 → (+)	86 → 12.93				MK001 PK024				R5418		
V 6	87 → 12.93										

**505**

GL, GLD	82 → 83			MR205					R5447		
GR, SR, GRD, SRD	82 → 86										
GL, GTi, GLD, GTD Turbo → ch.no. 1845000	84 → 86			MR999	PK024				R5447		
GL, GR, GTi, GLD, GRD, GTD, GTD Turbo, GRD Turbo ch.no. 1845001 →	86 → 12.93			MR223	MK001 PK007				R5447		

MC... =      MK... =      PK... =





	OESPECTRUM	REFLEX	ORIGINAL			OESPECTRUM	REFLEX	ORIGINAL		
	RIDESENSE	ADVENTURE				RIDESENSE	ADVENTURE	LEVELING		

### 508, 508 SW

1.6, 1.6 HDi, 2.0 HDi, 2.2 HDi (+) (-) 2.0 Hybrid	11→	742192SP 	E7102 <sup>1</sup> (E7102R E7103L)	MK329R MK330L		376154SP	E2078 <sup>1</sup>	PK313	
		742193SP 							

### 604

SL, Ti, STi	74→03.82			MR999	PK024			R5418	
Turbo Diesel	77→03.82								
→ ch.no. 6648440									
Ti, STi, GRD, SRD, Turbo Diesel	04.82→ 86			MR205				R5418	
ch.no. 6648441 →									

### 605

 (-)	89→07.94		E4439 <sup>1</sup> (E4439R E4440L)	G8316 	MK005 PK087			E5020 <sup>1</sup>	G43145	
				G8317 						
 (-) (-)	07.94→ 99		E4576 <sup>1</sup> (E4576R E4577L)	G8323 	MK005 PK087			E5020 <sup>1</sup>	G43145	
				G8324 						

### 607

2.0, 2.2, 3.0 V6, 2.0 HDi, 2.2 HDi (-) 3.0 V6 (-) 2.7 HDi (-)	12.99→07.11	742122SP 	E4959 <sup>1</sup> (E4959R E4960L)	MK182		376221SP	E5614 <sup>1</sup>		
		742123SP 							

### 806

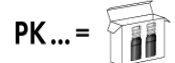
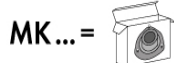
 → vet.no. 7609 (-)	08.94→09.97			11679	MC112 MK269R MK270L PK122				42056	
				V4201	MC112 MK269R MK270L					
 → vet.no. 7609 (+)	08.94→09.97									
				11679	MC112 MK269R MK270L PK122					
 vet.no. 7609 → (-)	09.97→02.03									
				V4201	MC112 MK269R MK270L					
 vet.no. 7609 → (+)	09.97→02.03									

### 807

2.0, 2.2, 3.0, 2.0 HDi, 2.2 HDi	06.02→06.14	742119SP 	E7014 <sup>1</sup> (E7014R E7015L)	MK269R MK270L		376093SP	E2059 <sup>1</sup>		
		742120SP 							

### 1007

1.4, 1.4 16V, 1.6, 1.6 16V, 1.4 Hdi, 1.6 Hdi	04.05→12.10	742262SP 	E4995 <sup>1</sup> (E4995R E4996L)	G16449 	MK001 PK348		376088SP	E1318 <sup>1</sup>	23966	
		742263SP 		G16450 						



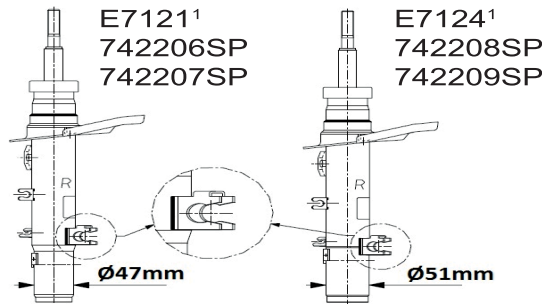


<b>MONROE</b>	OESPECTRUM	REFLEX	ORIGINAL			OESPECTRUM	REFLEX	ORIGINAL		
	RIDESENSE	ADVENTURE				RIDESENSE	ADVENTURE	LEVELING		

**2008**

1.2 Vti, 1.6 Vti, 1.4 HDi, 1.6 HDi (=) Susp. Type 1 (=) Susp. Type 2	12→	742206SP	E7121 <sup>1</sup> (E7121R E7122L)		183 Ø 47mm MK001 MK382		376136SP	E1371 <sup>1</sup>				
		742207SP										
1.2 Vti, 1.6 Vti, 1.4 HDi, 1.6 HDi (=) Susp. Type 3	12→	742208SP	E7124 <sup>1</sup> (E7124R E7125L)		183 Ø 51mm MK382 MK001		376136SP	E1371 <sup>1</sup>				
		742209SP										

**183**



**3008**

1.6, 1.6 D, 2.0 D	09→	16	742190SP	E7106 <sup>1</sup> (E7106R E7107L)		MK395 PK124		376151SP	E2079 <sup>1</sup>		PK131	
			742191SP									
2.0 Hybrid	09→	16	742190SP	E7106 <sup>1</sup> (E7106R E7107L)		MK395 PK124					PK131	
			742191SP									

**4007**

2.2, 2.4 D	02.07→	03.13	72437ST			MK333 PK342		37310ST				
			72438ST									

**4008**

2.0, 1.6 HDi, 1.8 HDi	04.12→					MK333					MK428	
--------------------------	--------	--	--	--	--	-------	--	--	--	--	-------	--

**5008**

1.6, 1.6 D, 2.0 D	09→	16	742110SP	E7108 <sup>1</sup> (E7108R E7109L)		MK001 MK395 PK124		376097SP	E2080 <sup>1</sup>			
			742111SP									

**BIPPER** , **BIPPER Tepee**

1.4, 1.3 HDi, 1.4 HDi	11.07→			G8107		MC212 MK313R MK314L PK140				G1090	PK335	
				G8108								

MC... =      MK... =      PK... =

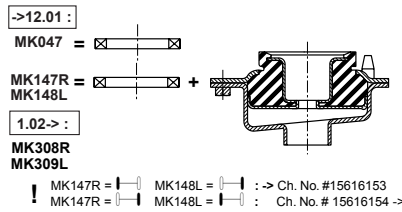


	OESPECTRUM	REFLEX	ORIGINAL		OESPECTRUM	REFLEX	ORIGINAL	
	RIDESENSE	ADVENTURE			RIDESENSE	ADVENTURE	LEVELING	

**BOXER 94→06**

 (=)  1000 kg	94→06		V4501	MK047 MK147R MK148L MK308R MK309L !44 PK074		V2506		OIO
 (=)  1400 kg	94→06		V4501	MK047 MK147R MK148L MK308R MK309L !44 PK074		V2507		OIO
 (=)  1800 kg	94→06		V4410			V2509		OIO
	94→06		V4501	MK047 MK147R MK148L MK308R MK309L !44 PK074		V2508		OIO

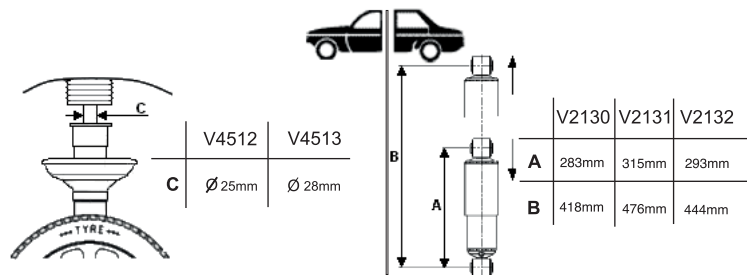
!44



**BOXER 4.06→**

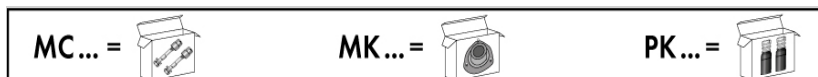
12 Q, 14 Q, 16 Q, 20 Q	04.06→		V4512	!69 Ø 25mm MK308R MK309L PK285		V2130	!69	OIO
			V4513	!69 Ø 28mm MK308R MK309L PK285		V2131		OIO
						V2132		OIO

!69



**EXPERT**

1580, 2000 16V, 1867 D, 1905 D, 1905 TD, 2000 JTD → vet.no. 7609 (+)	95→9.97		V4201	MC112 MK048 PK122		V5006		OIO
1580, 2000 16V, 1867 D, 1905 D, 1905 TD, 2000 JTD vet.no. 7609→9793 (+)	9.97→10.03		V4201	MC112 MK048 PK122		V2510		OIO





<b>MONROE</b>	OESPECTRUM	REFLEX	ORIGINAL			OESPECTRUM	REFLEX	ORIGINAL		
	RIDESENSE	ADVENTURE				RIDESENSE	ADVENTURE	LEVELING		

<b>2000, 2000 JTD</b> vet.no. 9793 → (+) , (+) <b>1867 D</b> vet.no. 9793 → 10408 (+) , (+)	10.03 → 06				V4202	MC112				V2510	
	V4203				10.03 → 5.04						
<b>1867 D</b> vet.no. 10408 → (+)	5.04 → 06				V4201	MC112 MK048 PK122				V2510	
<b>2.0 16V, 1.6 HDi, 2.0 HDi</b> Tepee, ,	06.07 → 03.16				G8167	MK269R MK270L				V2517	
					G8168						

**J SERIES**

<b>J 5</b> → ch.no. 0244300 (-)	81 → 85									V2027	Orig. no 520629 520635	
<b>J 5</b> ch.no. 0244301 → (-) (-)  Fourgon 180	85 → 94				V4407	Orig. no 520313 7569730 PK074				V2027	520629 520635	
<b>J 5</b> Fourgon 180 ch.no. 0244301 → (=)  1800 kg	85 → 94				∅					V2301	520663	
<b>J 5</b> (-)  1800kg (180)	85 → 87				V4407	520313 7569730 PK074				V2027	520652	
<b>J 5</b> (-)  1800 kg (180)	87 → 94				V4407	520313 7569730 PK074				V2037	520659	
<b>J 7</b> Fourgon	66 → 80				V2041					V1030		
<b>J 9</b> Fourgon → ch.no. 4161496	79 → 86											
<b>J 9</b> Fourgon ch.no. 4161497 →	87 → 94									V1030		

**PARTNER, RANCH (5F), (5)**

<b>1.1 TU1MF</b> <b>1.4 TU3JP</b> <b>1.8 D XUD7</b> <b>1.9 D XUD9A</b> <b>2.0 HDi DW10TD</b> (+) (=) (4 x 2)	05.96 → 11.02				R8001	MK001 MK097 MK098 I77 PK006				43104	
					R8002						
<b>1.6 TU5JP</b> (+) (=) (4 x 2)	05.96 → 11.08				G8007	MK001 MK097 MK098 I77 PK006				43104	
<b>1.1 TU1JP</b> <b>1.4 TU3JP</b> <b>1.6 TD DV6TED</b> <b>1.9 D DW8B</b> <b>2.0 HDi DW10TD</b>	11.02 → 12.15				G8008						
<b>Electric Engine SA 18</b>	11.02 → 12.12				R8001	MK001 MK097 MK098 I77 PK006					
					R8002						

MC... =      MK... =      PK... =



	OESPECTRUM	REFLEX	ORIGINAL			OESPECTRUM	REFLEX	ORIGINAL		
	RIDESENSE	ADVENTURE				RIDESENSE	ADVENTURE	LEVELING		

!77

MK001 =	MK001 =
MK098 =	MK097 =
TU, XU, XUD → -2.97	TU, XU, XUD → -2.97
HD,	HD,
TU	ALL ex TU 2.97→
2.97→	TU

**PARTNER Tepee**

1.2, 1.6i, 1.6 HDi (-) HD (-) extra seat	04.08→			G7323	MK001 MK196 PK124				G1119		OIO
				G7324							
1.2, 1.6i, 1.6 HDi (-) HD (+) extra seat	04.08→			G7323	MK001 MK196 PK124				G1118		OIO
				G7324							

**PARTNER**

1.6i, 1.6 HDi Electric (=)  600 kg (-) HD	04.08→			G7323	MK001 MK196 PK124				G1117		OIO
				G7324							
1.6i, 1.6 HDi Electric (=)  800 kg, 1000 kg (-) HD	04.08→			G7323	MK001 MK196 PK124				G1118		OIO
				G7324							

**PLYMOUTH**

**NEON**

CHRYSLER USA										
--------------	--	--	--	--	--	--	--	--	--	--

**VOYAGER**

CHRYSLER US										
-------------	--	--	--	--	--	--	--	--	--	--

**POLONEZ**

**ATU, ATU PLUS**

1.4 GLi, 1.5, 1.6 GLE, GLi 1.9 GLD	08.95→10.02			G23264					23466		OIO
---------------------------------------	-------------	--	--	--------	--	--	--	--	-------	--	-----

**CARO, CARGO**

1.4 GLi, 1.5, 1.6 GLE, GLi 1.9 GLi	08.93→06.98			G23264							OIO
---------------------------------------	-------------	--	--	--------	--	--	--	--	--	--	-----

**CARO PLUS**

1.4 GLi, 1.5, 1.6 GLE, GLi 1.9 GLD	02.97→10.02			G23264					23466		OIO
---------------------------------------	-------------	--	--	--------	--	--	--	--	-------	--	-----

MC... =	MK... =	PK... =
---------	---------	---------

POLONEZ

POLONEZ



	OESPECTRUM	REFLEX	ORIGINAL			OESPECTRUM	REFLEX	ORIGINAL		
	RIDESENSE	ADVENTURE				RIDESENSE	ADVENTURE	LEVELING		

**FSO**

1.5, 1.6, 1.4i, 1.9 D	78 → 7.93			G23264							
--------------------------	-----------	--	--	--------	--	--	--	--	--	--	--

**TRUCK**

	08.92 → 10.02			G23264					G21041		
--	---------------	--	--	--------	--	--	--	--	--------	--	--

**POLSKI FIAT**

**126P, 127P, 132P**

126P	02.73 → 09.00			R1584					R2608		
127P	73 → 75			R11025	MC110				R11001		
132P	72 → 80			G23264					G23265		

**PONTIAC**

**FIREBIRD**

 (+/-) Trans Am	70 → 81	5801ST									
 (+/-) Trans Am & GTA	82 → 92	71728			MC116		5867ST				
 (+/-) Trans Am	93 → 02		71290ST <sup>1</sup>				5867ST				

**TRANS SPORT**

	90 → 96				MC116						
 (-)	97 → 98	71661					37156				
 (+) (+/-) SE	97 → 98	71661									

**PORSCHE**

**924 SERIES**

924, 924 Turbo, 924S, 924 Carrera GT	11.75 → 08.89			MR969							
---	---------------	--	--	-------	--	--	--	--	--	--	--

**944 SERIES**

944 2.5	08.81 → 12.88			MR969							
---------	---------------	--	--	-------	--	--	--	--	--	--	--

**PORTARO → ARO**

MC... =      MK... =      PK... =



	OESPECTRUM	REFLEX	ORIGINAL			OESPECTRUM	REFLEX	ORIGINAL		
	RIDESENSE	ADVENTURE				RIDESENSE	ADVENTURE	LEVELING		

## PROTON

### 300 SERIES, PERSONA COMPACT, SATRIA

313 315	C 96 C 97	03.96 → 09.03		E4353 <sup>1</sup>	G16246	MC212			E1038 <sup>1</sup>	23784		
				(E4353R E4354L)	G16247							
316	C 98	03.96 → 07.00		E4588 <sup>1</sup>		MC212			E1038 <sup>1</sup>	23784		
				(E4588R E4589L)								

### 400 SERIES, PERSONA, WIRA

Persona 1500 C 97 415		01.94 → 11.95		E4249 <sup>1</sup>		MC212			E1038 <sup>1</sup>	23784		
				(E4249R E4250L)								
Persona 1600C 98 416		01.94 → 11.95				MC212			E1038 <sup>1</sup>	23784		
413 415	C 96 C 97	12.95 → 12.02		E4353 <sup>1</sup>	G16246	MC212			E1038 <sup>1</sup>	23784		
				(E4353R E4354L)	G16247							
416 418 420 D	C 98 C 99 C 95	12.95 → 12.02		E4588 <sup>1</sup>		MC212			E1038 <sup>1</sup>	23784		
				(E4588R E4589L)								

## PUCH → MERCEDES BENZ

## RANGER

### 1000 SERIES, 2000 SERIES

1700, 1900, 2500		70 → 71			V1063					R3216		
1700, 1900, 2500, 2800		72 → 79			V1063					R1566		

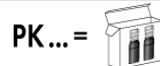
## RENAULT

### B SERIES

B 70		01.83 → 09.95			V2313					V2314		
B 90		01.83 → 09.95			V2313					V2314		

### CAPTUR

0.9 TCe, 1.2 TCe, 1.5 dCi		06.13 →		D0501		MK418				D7023		





<b>MONROE</b>	OESPECTRUM	REFLEX	ORIGINAL			OESPECTRUM	REFLEX	ORIGINAL		
	RIDESENSE	ADVENTURE				RIDESENSE	ADVENTURE	LEVELING		

**CLIO I**

1.1, 1.2, 1.4 (-) 1.4	90→07.97		E4220 <sup>1</sup>	11190	<b>I12</b> MC212 MK018 PK066			E5015 <sup>1</sup>	43072		
				11191							
1.4 (+)	90→07.97		E4220 <sup>1</sup>	11190	<b>I12</b> MC212 MK020 PK066			E5015 <sup>1</sup>	43072		
				11191							
1.7 1.8 (-) 16V (-) RSi 1.9 D	90→07.97			11191	MC212 MK020 <b>I12</b> PK066			E5015 <sup>1</sup>	43072		
1.8 16V	90→07.97			G16192					43077		
1.8 RSi	90→07.97				MC212 MK018 PK066						
1.2, 1.4	07.97→09.98		E4220 <sup>1</sup>	11190	<b>I12</b> MC212 PK066			E5015 <sup>1</sup>	43072		
			E4380 <sup>1</sup>	G7485							
1.8 (-) RSi 1.9 D	07.97→09.98		E4380 <sup>1</sup>	G7485	MC212 PK066			E5015 <sup>1</sup>	43072		
Electric	07.97→09.98		E4380 <sup>1</sup>	G7485	MC212 PK066						

**I12**

CLIO I	90→12.99	1.94→7.97	7.97→98
	E4220 / 11190	E4220 / 11190	E4220 / 11190
X=52	Orig. N°.: 7700808490 7700816045 7700823130 7700826680	Orig. N°.: 7700838084	Orig. N°.: 7700838084
	11191	11191	
X=54	Orig. N°.: 7700808491 7700808452 7700816045 7700823129 7700823131 7700826681 7700826682	Orig. N°.: 7700838083 7700838087 7700838086	
X=58			E4380 Orig. N°.: 7700423726 7700423727



**CLIO II**

1.1, 1.2, 1.2 Bi-Fuel	09.98→06.05		E4382 <sup>1</sup>	11272	MC212 MK100 PK066			E1233 <sup>1</sup>	23896		
1.2 16 V 1.4, 1.4 16V 1.6, 1.6 16V, 1.6 Hi-Flex 1.9 D, 1.9 dTi, 1.5 dCi (-)	09.98→06.05			11273	MC212 MK100 PK066			E1233 <sup>1</sup>	23896		
1.4, 1.6, 1.9 dTc (+)	09.98→06.05		E4727 <sup>1</sup>	G7486							

**CLIO III**

1.0, 1.2, 1.2 16V, 1.4 16V, 1.6 16V, 1.5 dCi (-)	06.05→05.10			G7277	MC212 MK263R MK264L PK153 MK347 <b>I79</b>			376108SP	G1067	PK314	
1.0, 1.2, 1.2 16 V, 1.4 16 V, 1.6 16 V, 1.5 dCi (-)	05.10→12.14			G7277	MC212 MK418 PK153			376108SP	G1067	PK314	







	OESPECTRUM	REFLEX	ORIGINAL			OESPECTRUM	REFLEX	ORIGINAL		
	RIDESENSE	ADVENTURE				RIDESENSE	ADVENTURE	LEVELING		

**I79**

MK001, MK202, MK342, MK343, MK344, MK345, MK346, MK347 =

MK149, MK208, MK263R, MK264L, MK271, MK321, MK322, MK376 =

MK067, MK068, MK077, MK156, MK194, MK326, MK332, MK334R, MK335L, MK337, MK372 = +

**CLIO III Grandtour**

1.0, 1.2, 1.2 16V, 1.4 16V, 1.6 16V, 1.5 dCi (-)	11.07→02.10			G7277	MK347 MK263R MK264L I79 PK153		376108SP		G1067	PK314	
1.0, 1.2, 1.2 16V, 1.4 16V, 1.6 16V, 1.5 dCi (-)	02.10→12.12			G7277	MC212 MK418 PK153		376108SP		G1067	PK314	

**CLIO IV**

0.9, 1.2, 1.5 dCi (-) (-)	10.12→			G7277	MC212 MK418				G1176		
0.9, 1.2, 1.5 dCi (+)	10.12→				MK418				G1183		

**CLIO IV Grandtour**

0.9, 1.2, 1.5 dCi (-) (-)	10.12→			G7277	MK418				G1176		
---------------------------------	--------	--	--	-------	-------	--	--	--	-------	--	--

**DOKKER, DOKKER Stepway**

1.2 TCe, 1.6 SCe, 1.6, 1.6 LPG, 1.5 dCi	11.12→			G7467					G2234		
---	--------	--	--	-------	--	--	--	--	-------	--	--

**DUSTER**

1.2, 1.6, 1.6 Hi-Flex, 1.6 LPG, 1.5 DCi (=) (4 x 2) (+)	06.11→			G7372	MK300 PK286				G1153		
1.2, 1.6, 1.6 Hi-Flex, 1.6 LPG, 1.5 DCi (=) (4 x 2) (+)	06.11→			G7373	MK300 PK286				G1153		
1.2, 1.6, 1.6 Hi-Flex, 1.6 LPG, 1.5 DCi (=) (4 x 4) (+)	06.11→			G7372	MK300 PK286				G7386		
1.2, 1.6, 1.6 Hi-Flex, 1.6 LPG, 1.5 DCi (=) (4 x 4) (+)	06.11→			G7373	MK300 PK286				G7386		

MC... =

MK... =

PK... =



<b>MONROE</b>	OESPECTRUM	REFLEX	ORIGINAL			OESPECTRUM	REFLEX	ORIGINAL		
	RIDESENSE	ADVENTURE				RIDESENSE	ADVENTURE	LEVELING		

**ESPACE I (J11/P23)**

J112 Petrol, S112 Petrol, 07.84 → 12.87 J117 Petrol Inj. J115 Diesel, S115 Diesel								42045		
J112 Petrol, S112 Petrol 01.88 → 06.91 J116 Petrol Inj., J117 Petrol Inj. J115 Diesel, S115 Diesel			G55025					42045		

**ESPACE II (J63/P36)**

(-)  01.91 → 10.96			G55025					42045		
(+)  01.91 → 10.96			G55025							

**ESPACE III (J66/P52), GRAND ESPACE III (J66/D66)**

2.0, 2.0 16V, 3.0, 3.0 V6, 11.96 → 10.02 1.9 dTi, 2.2 dT, 2.2 dCi (+/-)	742221SP	E4592 <sup>1</sup>	G16728	MC116 MK152R MK153L PK029		376147SP	E5077 <sup>1</sup>	42061		
---	----------	--------------------	--------	------------------------------------	--	----------	--------------------	-------	--	--

**ESPACE IV, GRAND ESPACE IV (JK)**

2.0 16 V, 2.0 T 16 V, 3.5 V 6, 11.02 → 01.15 1.9 dCi, 2.2 dCi, 3.0 dCi (-)	742217SP	E7075 <sup>1</sup>		MK199 MK425 PK165		376092SP	E1334 <sup>1</sup>			
--	----------	--------------------	--	-------------------------	--	----------	--------------------	--	--	--

**EXPRESS, EXTRA**

Utilitaire, Express, Extra, 07.85 → 10.96 Rapid F 40 (-) CU+			11088	MC212 MK021 PK033				43058		
Utilitaire, Express, Extra, 09.91 → 10.96 Rapid (=) CU+ (=)  775 kg			11088	MC212 MK021 PK033				G43151		
Utilitaire, Express, Extra, 10.96 → 08.98 Rapid F 40 (-) CU+			11257	MC114 MK021 PK033				43058		
Utilitaire, Express, Extra, 10.96 → 08.98 Rapid (=) CU+ (=)  775 kg			11257	MC114 MK021 PK033				G43151		

**FLUENCE**

1.6, 2.0, 2.0 Hi-Flex 01.10 → 1.6 LPG, 1.5 dCi, 1.6 d			G8267	PK190				G1222		
---	--	--	-------	-------	--	--	--	-------	--	--

**FUEGO**

TL, GTL R 1360, R 1361 02.80 → 10.86 GTS, GTX R 1362, R 1363										
Turbo Diesel R 1366 10.82 → 10.86			R6515							
Turbo R 1365 01.84 → 10.85										

**KADJAR**

1.2 Tce, 1.6, 05.15 → 1.5 dCi, 1.6 dCi			D0049 (D0049R D0050L)					D7034		
---	--	--	-----------------------------	--	--	--	--	-------	--	--

MC... = MK... = PK... =



	OESPECTRUM	REFLEX	ORIGINAL		OESPECTRUM	REFLEX	ORIGINAL	
	RIDESENSE	ADVENTURE			RIDESENSE	ADVENTURE	LEVELING	

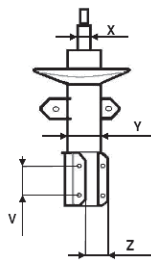
**KANGOO (KC0/1\_)**

<b>1.2, 1.2 16V, 1.4, 1.6 16V,</b> <b>1.5 dCi, 1.9 D 55, 1.9 D 65,</b> <b>1.9 dCi, 1.9 dTi</b> (=) (=) CUN (=)  580 kg (-) CU+ (-) (-) (4 x 4)	06.97 → 09.13			11285	MC114 MK100 PK066				43107		OIO
<b>1.4, 1.6 16V,</b> <b>1.5 dCi, 1.9 D 55, 1.9 D 65,</b> <b>1.9 dCi, 1.9 dTi</b> (=) (=)  750 kg (-) (-) (4 x 4)	06.97 → 09.13			11285	MC114 MK100 PK066				G43152		OIO
<b>1.2, 1.2 16V, 1.4, 1.6 16V,</b> <b>1.5 dCi, 1.9 D 55, 1.9 D 65,</b> <b>1.9 dCi, 1.9 dTi</b> (=) (+) (-) (4 x 4)	06.97 → 09.13			11285	MC114 MK100 PK066						OIO

**KANGOO (KW0/1\_)**

<b>1.6,</b> <b>1.5 D</b> (=)  2313mm	10.07 →			R7612	<b>I76</b> Z=27mm MK347 MK326 <b>I79</b> PK315				G1105		OIO
				G8173	<b>I76</b> Z=35mm MK347 MK326 <b>I79</b> PK315						
<b>1.6,</b> <b>1.5 D</b> (=)  2697mm (=)  3081mm	10.07 →			R7612	<b>I76</b> Z=27mm MK347 MK326 <b>I79</b> PK315				G1104		OIO
				G8173	<b>I76</b> Z=35mm MK347 MK326 <b>I79</b> PK315						

**I76**



X	Y	Z	V	
20	47	27	57	R7612
22	52	35	72	G8173

**I79**

- MK001, MK202, MK342, MK343, MK344, MK345, MK346, MK347 =   
 MK149, MK208, MK263R, MK264L, MK271, MK321, MK322, MK376 =   
 MK067, MK068, MK077, MK156, MK194, MK326, MK332, MK334R, MK335L, MK337, MK372 = +

**KOLEOS**

<b>2.5,</b> <b>2.0 dCi</b>	06.08 → 03.15		D0027 (D0027R D0028L)		MK347 MK334R MK335L <b>I79</b>			D7019			OIO
-------------------------------	---------------	--	-----------------------------	--	---	--	--	-------	--	--	-----

MC... =     
 MK... =     
 PK... =

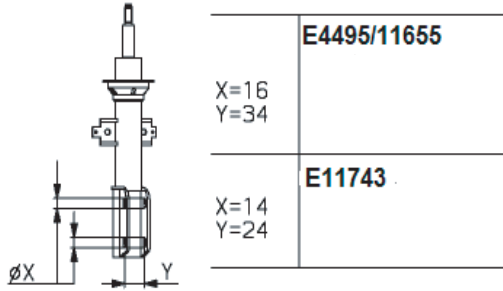


<b>MONROE</b>	OESPECTRUM	REFLEX	ORIGINAL			OESPECTRUM	REFLEX	ORIGINAL		
	RIDESENSE	ADVENTURE				RIDESENSE	ADVENTURE	LEVELING		

**LAGUNA I**

 veh.no. 950421 →	11.93→02.01		E4495 <sup>1</sup>	11655	I23 Y=34 mm MC116 MK154R MK155L PK029				G52023	
				11743	I23 Y=24 mm MC116 MK154R MK155L PK029					

**I23**



**LAGUNA NEVADA I**

 (+) HD	06.95→02.01		E4495 <sup>1</sup>	11655	MC116 MK154R PK029			E5315 <sup>1</sup>	G52024	I36	
------------	-------------	--	--------------------	-------	--------------------------	--	--	--------------------	--------	-----	--

**LAGUNA II**

1.6, 1.8, 3.0 V6, 1.9 dCi, 2.0, 2.0 dCi, 2.2 dCi	03.01→12.07	742079SP	E4760 <sup>1</sup>	G7281	MC114 MK185 PK171		376162SP	E5097 <sup>1</sup>	43118		
---	-------------	----------	--------------------	-------	-------------------------	--	----------	--------------------	-------	--	--

**LAGUNA III**

1.6, 2.0, 3.5, 1.5 dCi, 2.0 dCi, 3.0 dCi	09.07→07.15			G8186	MK383 PK352		376192SP	E5119 <sup>1</sup>	43134		
---	-------------	--	--	-------	----------------	--	----------	--------------------	-------	--	--

**LAGUNA III**

2.0, 3.5, 2.0 dCi, 3.0 dCi	03.08→07.15			G8186	MK383 PK352						
-------------------------------	-------------	--	--	-------	----------------	--	--	--	--	--	--

**LATITUDE**

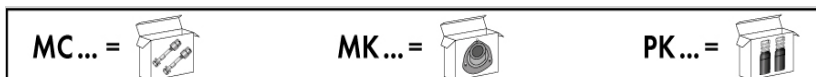
2.0, 2.5, 1.5 dCi, 2.0 dCi, 3.0 dCi	07.10→			G8182					G2221	
				G8183						

**LODGY, LODGY STEPWAY**

1.2 TCe, 1.6 SCe, 1.6, 1.6 LPG, 1.5 dCi (-) $\pm$	03.12→			G7466					G2234	
1.2 TCe, 1.6 SCe, 1.6, 1.6 LPG, 1.5 dCi (+) $\pm$	03.12→			G7467					G2234	

**LOGAN**

1.2, 1.4, 1.6, 1.5 dCi (+) ND	08.04→06.13			G7203	MC212 MK300 PK286				23991	
-------------------------------------	-------------	--	--	-------	-------------------------	--	--	--	-------	--





	OESPECTRUM	REFLEX	ORIGINAL			OESPECTRUM	REFLEX	ORIGINAL		
	RIDESENSE	ADVENTURE				RIDESENSE	ADVENTURE	LEVELING		

### LOGAN II

 (-) $\updownarrow$	10.12→			G7456				G1225		$\updownarrow$
0.9, 1.2, 1.5 dCi (+) $\updownarrow$	10.12→			G7455				23991		$\updownarrow$

### LOGAN MCV

1.2, 1.4, 1.6, 1.5D (+)	08.06→06.13			G7369	MK300 PK286			G1137		$\updownarrow$
-------------------------------	-------------	--	--	-------	----------------	--	--	-------	--	----------------

### LOGAN MCV II

0.9, 1.2, 1.5 dCi (-) $\updownarrow$	02.13→			G7456				G1225		$\updownarrow$
0.9, 1.2, 1.5 dCi (+) (+) $\updownarrow$	02.13→			G7455				23991		$\updownarrow$
0.9 LPG, 1.2 LPG (-) (-) $\updownarrow$	02.13→									$\updownarrow$

### LOGAN VAN

1.4, 1.6, 1.5 DCi (+)	10.07→06.13			G7369	MK300 PK286			G1137		$\updownarrow$
-----------------------------	-------------	--	--	-------	----------------	--	--	-------	--	----------------

### LOGAN Pick-up

1.4, 1.6, 1.5 DCi (+)	04.08→08.13			G7369	MK300 PK286			G1158		$\updownarrow$
-----------------------------	-------------	--	--	-------	----------------	--	--	-------	--	----------------

### MASTER I Q-SERIES

	80→07.98			V5502	PK021					$\updownarrow$
--	----------	--	--	-------	-------	--	--	--	--	----------------

### MASTER I R-SERIES

	05.80→07.98			V5502	PK021					$\updownarrow$
--	-------------	--	--	-------	-------	--	--	--	--	----------------

### MASTER I R-SERIES

 RL 7. RC 7.	05.80→07.98							V5003		$\updownarrow$
 RCA.	05.80→07.98							V5005		$\updownarrow$
 RH 9. RJ 9.	05.80→07.98							V5003		$\updownarrow$

MC... =      MK... =      PK... =



	OESPECTRUM	REFLEX	ORIGINAL			OESPECTRUM	REFLEX	ORIGINAL		
	RIDESENSE	ADVENTURE				RIDESENSE	ADVENTURE	LEVELING		

**MASTER II**

12.97→12.13 (=)			V2079					V2514		
12.97→12.13 (=)			V2079					V2512		
12.97→12.13 (=)			V2079							

**MASTER III**

02.10→ (=) incl. Motorhome			V4517					V2146		
2.10→ (=) (-) (+/-)			V4517					V2147		

**MAXITY**

110.28 03.07→			V1108					V1133		
110.32, 110.35, 130.35, 150.35, 130.45, 150.45 03.07→			V1108					V1183		

**MEGANE I**

1.4, 1.4 16V, 1.6, 1.6 16V, 2.0, 1.9 D, 1.9 dCi, 1.9 dTi, 1.9 TD (-) HD	08.95→08.03		E4340 <sup>1</sup>	16242	MC114 MK096 PK029			E5065 <sup>1</sup>	43095		
2.0 16V	09.95→09.98				MK001				43093		
2.0 16V	10.98→08.03			16795	MC114 MK001				43093		
 (+) HD	08.95→08.03		E4370 <sup>1</sup>	G7489	MC114			E5065 <sup>1</sup>	43095		

**MEGANE I CLASSIC**

1.4, 1.4 16V, 1.6, 1.6 16V, 2.0, 1.9 D, 1.9 dCi, 1.9 dTi (-) HD	08.95→08.03		E4340 <sup>1</sup>	16242	MC114 MK096 PK029			E5065 <sup>1</sup>	43095		
 (+) HD	08.95→08.03		E4370 <sup>1</sup>	G7489	MC114			E5065 <sup>1</sup>	43095		

**MEGANE I COUPE**

1.4 16V, 1.6, 1.6 16V, 2.0, 1.9 dCi, 1.9 dTi	08.95→08.03		E4340 <sup>1</sup>	16242	MC114 MK096 PK029			E5063 <sup>1</sup>	43093		
2.0 16V	09.96→09.98								43093		
2.0 16V	10.98→08.03			16795	MC114 MK001				43093		

**MEGANE I**

1.4 16V, 1.6, 1.6 16V	02.97→07.03		E4340 <sup>1</sup>	16242	MC114 MK096 PK029			E5065 <sup>1</sup>	43095		
2.0 16V	10.96→07.03			16795	MC114 MK001						

MC... = MK... = PK... =



	OESPECTRUM	REFLEX	ORIGINAL			OESPECTRUM	REFLEX	ORIGINAL		
	RIDESENSE	ADVENTURE				RIDESENSE	ADVENTURE	LEVELING		

**MEGANE I**

1.4, 1.4 16V, 1.6, 1.6 16V, 1.9 D, 1.9 dCi, 1.9 dTi (-)	03.99 → 12.03		E4340 <sup>1</sup>	16242	MC114 MK096 PK029			E5611 <sup>1</sup>	G55024		
 (+)	03.99 → 12.03		E4370 <sup>1</sup>	G7489	MC114			E5611 <sup>1</sup>	G55024		

**MEGANE SCENIC, SCENIC I**

Scenic I, Megane Scenic											
-------------------------	--	--	--	--	--	--	--	--	--	--	--

**MEGANE II** **Coupé-Cabriolet**

 (-)	09.02 → 10.12		E4750 <sup>1</sup>	G16387	MK193 PK162			376095SP	E1319 <sup>1</sup>	23967	
excl. 2.0 RS		742064SP									

**MEGANE II GRANDTOUR**

 (-)	08.03 → 07.09		E4750 <sup>1</sup>	G16387	MK193 PK162					23983	
		742064SP									

**MEGANE III**

1.4, 1.6, 2.0, 1.5 dCi, 1.9 dCi, 2.0 dCi (-) 2.0 GT	11.08 → 08.15			G8149	MK327 PK190			376117SP		G1108	
		742076SP									

**MEGANE III COUPE**

1.2 TCe, 1.4, 1.6, 1.6 VVT, 2.0, 2.0 TCe, 1.5 dCi, 1.6 dCi, 1.9 dCi, 2.0 dCi, 1.6 Hi-Flex (+) (-) 2.0 GT, 2.0 RS	11.08 → 08.15			G8149	MK327 PK190						
		742076SP									

**MEGANE III CC**

1.2 TCe, 1.4, 1.6, 1.6 VVT, 2.0, 2.0 TCe, 1.5 dCi, 1.6 dCi, 1.9 dCi, 2.0 dCi, 1.6 Hi-Flex	11.08 → 08.15							376117SP		G1108	

**MEGANE III GRANDTOUR**

1.4, 1.6, 2.0, 1.5 dCi, 1.9 dCi, 2.0 dCi (+) (-) 2.0 GT	11.08 → 08.15			G8149	MK327 PK190			376156SP		G1182	
1.4, 1.6, 2.0, 1.5 dCi, 1.9 dCi, 2.0 dCi (+) (-) 2.0 GT	11.08 → 08.15			G8149	MK327 PK190			376117SP		G1108	
		742076SP									

**MODUS, GRAND MODUS**

1.2, 1.4, 1.6, 1.5 dCi	08.04 → 12.13			G7277	MC212 MK263R MK264L 179 PK153			376108SP		G1067	PK314 

!79

MK001, MK202, MK342, MK343, MK344, MK345, MK346, MK347 =   
 MK149, MK208, MK263R, MK264L, MK271, MK321, MK322, MK376 =   
 MK067, MK068, MK077, MK156, MK194, MK326, MK332, MK334R, MK335L, MK337, MK372 =

MC... =

MK... =

PK... =



<b>MONROE</b>	OESPECTRUM	REFLEX	ORIGINAL			OESPECTRUM	REFLEX	ORIGINAL		
	RIDESENSE	ADVENTURE				RIDESENSE	ADVENTURE	LEVELING		

**R4**

R1120, R1124	04.62→08.68								R2587		
R1120, R1123	09.68→06.93										
R1126	02.71→06.93			R3248					R2587		
R1128 GTL	78→06.93										
Rodeo	73→06.93			R3248							

**R4 FOURGONNETTE**

R2102, R2106	04.62→08.68								R2577		
R 2105, R 2106, R 2109 F 4	09.68→12.93			R3248					R2577		
R 2340, R 2370 F 6	75→12.93			R3248					42006		

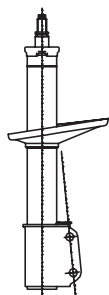
**R5**

R1220, R1221, R1222, R1225, R1227 L, TL, GTL	02.72→03.85										
R1391, R1395, R1397, R1399 L, TL, GTL	07.79→06.86			R3248							
R1224, R1229, R1394, R2381, R2382, R2387 LS, TSX, TX Société	03.74→06.86										

**R5 SUPER 5**

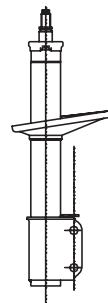
B, C, S (-) GT Turbo	10.84→07.85				MK021				R3414		
B, C, S (-) GT Turbo (-) GTE	08.85→05.88			11091	MC212 MK021 PK033				R3414		
B, C, S (-) GT Turbo (-) GTE	10.84→07.85			11091	I11 MC212 MK021 PK033				R3414		
				11122	I11 MC212 MK021 PK033						

**I11**



11122

Orig. No:  
7700 786 597  
7700 807 873



11091

Orig. No:  
7700 732 743  
7700 732 744  
7702 145 522  
7702 145 523  
7700 807 874

**R5 SUPER 5**

Utilitaire, Express, Extra, Rapid F 40 (-) CU+	10.84→10.96			11088	MC212 MK021 PK033				43058		
---	-------------	--	--	-------	-------------------------	--	--	--	-------	--	--

MC... =      MK... =      PK... =





	OESPECTRUM	REFLEX	ORIGINAL			OESPECTRUM	REFLEX	ORIGINAL		
	RIDESENSE	ADVENTURE				RIDESENSE	ADVENTURE	LEVELING		

Utilitaire, Express, Extra, Rapid (=) CU+ (=)  775 kg	91 → 10.96			11088	MC212 MK021				G43151		
Utilitaire, Express, Extra, Rapid F 40 (-) CU+	10.96 → 03.98			11257	MC114				43058		
Utilitaire, Express, Extra, Rapid (=) CU+ (=)  775 kg	10.96 → 03.98			11257	MC114				G43151		

**R6**

R1180, R1181	10.68 → 04.87			R3248					R2587		
Rodeo	10.72 → 04.87			R3248							

**R9**

	09.81 → 04.89			11036	MC212 MK001 PK029				R3724		
	09.85 → 04.89			11036	MC212 MK001 PK029						
 Only for Turkey	86 → 96								R1656		

**R11**

	04.82 → 04.89			11036	MC212 MK001 PK029				R3724		
	04.82 → 04.89			11036	MC212 MK001 PK029						

**R12, R15, R17**

R12	69 → 04.70								R3725		
R12	05.70 → 79										
R15 R17	71 → 79			R6326					R3725		
R12 Only for Turkey	→ 72								R1652		

**R18**

Gasoline				R6517					R3307		
Diesel	→ 05.83			R6518					R3307		
Diesel, Turbo	05.83 →			R6515					R3307		

MC... =      MK... =      PK... =



	OESPECTRUM	REFLEX	ORIGINAL			OESPECTRUM	REFLEX	ORIGINAL		
	RIDESENSE	ADVENTURE				RIDESENSE	ADVENTURE	LEVELING		

**R18**

<b>TL, GTL</b> R 1340 → veh.no. 0552000	78 → 84									
<b>TS, GTS</b> R 1341 → veh.no. 0559400				<b>R6517</b>				<b>R3307</b>		
<b>TS, GTS</b> R 1342 veh.no. 0010710 → 0020609	83									
<b>TS, GTS</b> R 1342 → veh.no. 0010709	78 → 82									
<b>TX, GTX</b> R 1343 → veh.no. 0003200	78 → 83			<b>R6518</b>				<b>R3307</b>		
<b>TD, GTD</b> R 1344 → veh.no. 0190905	78 → 84									
<b>TL, GTL</b> R 1340 veh.no. 0552001 →	84 → 86									
<b>TS, GTS</b> R 1341 veh.no. 0559401 →										
<b>TS, GTS</b> R 1342 veh.no. 0020610 →	83 → 86									
<b>TX, GTX</b> R 1343 veh.no. 0003201 →	84 → 86			<b>R6515</b>				<b>R3307</b>		
<b>TD, GTD</b> R 1344 veh.no. 0190906 →										
<b>Turbo Diesel</b> R 1346										
<b>Turbo</b> R 1345	82 → 86									

**R18** (4 x 2)

<b>TL</b> R 1350 → veh.no. 0122600	79 → 84									
<b>TS, LS, GTL</b> R 1351 → veh.no. 0118200				<b>R6517</b>						
<b>GTS</b> R 1352 → veh.no. 0003929	79 → 83									
<b>Société</b> R 2350 → veh.no. 0004600	79 → 80									
<b>TX, GTX</b> R 1353 → veh.no. 0002000	79 → 82									
<b>TD, GTD</b> R 1354 → veh.no. 0063219	79 → 84			<b>R6518</b>						
<b>Société</b> R 2354 → veh.no. 0003499	79 → 83									
<b>TL</b> R 1350 veh.no. 0122601 →	84 → 86									
<b>TS, LS, GTL</b> R 1351 veh.no. 0118201 →										
<b>TX, GTX</b> R 1353 veh.no. 0002001 →	83 → 86									
<b>TD, GTD</b> R 1354 veh.no. 0063220 →	84 → 86									
<b>Turbo</b> R 1355	83 → 86			<b>R6515</b>						
<b>Turbo Diesel</b> R 1356	84 → 86									
<b>Société</b> R 2350 veh.no. 0004601 →										
<b>Société</b> R 2354 veh.no. 0003500 →	83 → 86									

MC... =      MK... =      PK... =



	OESPECTRUM	REFLEX	ORIGINAL			OESPECTRUM	REFLEX	ORIGINAL		
	RIDESENSE	ADVENTURE				RIDESENSE	ADVENTURE	LEVELING		

**R19**

1237, 1397, 1390, 1870 Diesel	01.88 → 12.98		E4210 <sup>1</sup>	11114	MC212 MK096 MK142 <b>I45</b> PK029		E5009 <sup>1</sup>	43068		
1721, 1794	01.88 → 12.98		E4210 <sup>1</sup>	11114	MC212 MK096 MK142 <b>I45</b> PK029			43069		
1870 Turbo Diesel	07.88 → 11.98							43069		
1764 16V - 16S	88 → 11.95							43069		
Only for Turkey	88 → 97							43121		

**I45**

MK096 :		MK142 :	
1.4	B53A, B53G, B53H, B535, B537, C53A, C535, C537, L53A, L53G, L53H, L535, L537, S537	1.2	B53W, B530, C53W, C530, L53W, L530, S530
1.7	B53E, B53M, B533, B536, C53E, C53M, C533, L533, L536	1.4	B53P, B531, B532, C53P, C531, C532, L53P, L531, L532
1.8	B53B, B53C, B53F, B53V, B53Y, C53B, C53C, C53F, C53V, C53Y, D53C, D53V, D53Y, L53B, L53C, L53F, 353A, 353C, 353D, 353F, 453A, 453C, 453D, 453F, 453H, 553A, 553C, 553D, 553F, 553H, 853A, 853F		
1.9D	B53i, B53j, B53K, B53T, B53Z, B534, C53i, C53j, C53K, C53T, C53Z, C534, L53i, L53j, L53K, L53T, L53Z, S53i, S53j, S53K, S534		

**R19**

R19 (-) 16V - 16S	02.91 → 02.97		E4210 <sup>1</sup>	11114	MC212 PK029			43069		
16V - 16S	02.91 → 02.97							43069		

**R21** (4 x 2)

1.4 TL, GTL 1.7 TL, GTL, TS, GTS, RS, TSE 1.9 SD, GSD Diesel 2.0 TX, GTS, GTX L 48 J	03.86 → 06.94			11521	MC212 MK022 MK023 <b>I7</b> PK028			43062		
1.7 TL (Kat.) L 48 K 2.0 RX, TX, Ti, GTX, TXE, GTS L 483, L 489, L 48 K 2.0 TXi L 48 Q 2.1 TD, GTD Diesel 2.1 TBD, TDX Turbo Diesel 2.2 RX, GTX, TXE	03.86 → 06.94			11805 	MC116 MK022 MK023 <b>I7</b> PK028			43062		
				11806 						

**I7**

- B481/2/4
- B48D/E/F/H/I/J/U
- K481/2/3/4/6/8
- K48E/F/H/I/J/K/M/N/U
- L481/2/3/4/6/8/9/D/E
- L48F/H/I/J/K/M/N/R/U/V
- S481/2/H
- B48C/0/R/V
- K48C/0/V
- L48C/K
- S486/0/V

MK022

- B48A/K/P/W/Y
- B480/3/6/7/8
- K48A/B/K/P/R/S/W
- K480/3/6/7/8/9
- L48K/P/Q/R/S/V/W/Y
- L480/3/6/7/8/9

MK023

- B48C/0/R/V
- K48C/0/V
- L48A/C/K/0
- S486/0/V

MC... =	MK... =	PK... =
---------	---------	---------



	OESPECTRUM	REFLEX	ORIGINAL			OESPECTRUM	REFLEX	ORIGINAL		
	RIDESENSE	ADVENTURE				RIDESENSE	ADVENTURE	LEVELING		

**R21** (4 x 2)

1.4 TL, GTL, TS, GTS 07.89→06.94										
1.7 TL, GTL, TS, GTS, TSE				11521	MC212 MK022 MK023 !7 PK028			43062		010
1.9 SD, GSD Diesel										
2.0 TXE B 48 J										
2.0 TX, GTX, TXi 07.89→06.94				11805	MC116 MK022 MK023 !7 PK028			43062		010
2.0 TXE B 483, B 48 K										
2.1 TD, GTD Diesel				11806						
2.1 TBD, TDX Turbo Diesel										

**R21 NEVADA** (4 x 2)

1.6 RX 03.86→08.94				11521	MC212 MK022 MK023 !7 PK028			46002		010
1.7 TL, TS, GTL, GTS										
1.9 D, SD, GSD Diesel										
2.0 RX K 48 J										
2.0 RX K 483 03.86→08.94				11805	MC116 MK022 MK023 !7 PK028			46002		010
2.0 GTX, TXE										
2.1 D, TD, GTD Diesel, Turbo Diesel				11806						
2.2 GTX, TXE										

!7

- B481/2/4
- B48D/E/F/H/I/J/U
- K481/2/3/4/6/8
- K48E/F/H/I/J/K/M/N/U
- L481/2/3/4/6/8/9/D/E
- L48F/H/I/J/K/M/N/R/U/V
- S481/2/H
- B48C/0/R/V
- K48C/0/V
- L48C/K
- S486/0/V

MK022

- B48A/K/P/W/Y
- B480/3/6/7/8
- K48A/B/K/P/R/S/W
- K480/3/6/7/8/9
- L48K/P/Q/R/S/V/W/Y
- L480/3/6/7/8/9
- B48C/0/R/V
- K48C/0/V
- L48A/C/K/0
- S486/0/V

MK023

**R25**

	04.84→12.93			R6521				11506		
--	-------------	--	--	-------	--	--	--	-------	--	--

**SAFRANE** (4 x 2)

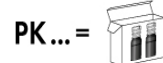
2.0, 2.2, 2.5, 3.0 V6, 2.1 dT, 2.5 dT (-)	01.92→12.00		E4868 <sup>1</sup>	11741	MC116 MK001 PK029		E4227 <sup>1</sup>	11172	PK083	
---	-------------	--	--------------------	-------	-------------------------	--	--------------------	-------	-------	--

**SANDERO (BS)**

1.2, 1.4, 1.6, 1.0 Hi-Flex, 1.6 Hi-Flex, 1.2 LPG, 1.4 LPG, 1.6 LPG, 1.5 dCi	12.07→06.13			G7203	MC212 MK300 PK286			23991		
--	-------------	--	--	-------	-------------------------	--	--	-------	--	--

**SANDERO (B8)**

0.9 TCe, 1.2, 1.6, 0.9 TCe LPG, 1.2 LPG, 1.5 dCi	01.13→			G7456				G1225		
0.9 TCe, 1.2, 1.6, 0.9 TCe LPG, 1.2 LPG, 1.5 dCi RAISED	01.13→			G7455				G1225		





	OESPECTRUM	REFLEX	ORIGINAL			OESPECTRUM	REFLEX	ORIGINAL		
	RIDESENSE	ADVENTURE				RIDESENSE	ADVENTURE	LEVELING		

## SANDERO Stepway (BS)

1.6, 1.6 LPG, 1.5 dCi (+)	11.08→12.12			G7379	MK300 PK286				G1147	
1.6, 0.9 TCe, 1.2, 0.9 TCe LPG, 1.2 LPG, 1.5 dCi	01.13→			G7457					G1147	

## SCENIC I, MEGANE SCENIC

1.4, 1.4 16V, 1.6 16V, 1.8 16V	01.97→08.03									
1.6 (JAOL) 1.6 (JAOF) (+)	01.97→09.99									
1.6 (JAOF) (+)	07.98→09.99		E4340 <sup>1</sup>	16242	MC114 MK096 PK029			E5609 <sup>1</sup>	G55019	
2.0, 1.9 dTi, 1.9 dCi (=) (4 x 2)	07.98→08.03									
1.6 (JAOF) (+)	01.97→06.98									
1.9 D (JAOK, JAOY) 1.9 D, 1.9 dTi, 2.0 (FAOJ, FAOK, FAOY, JAOJ) (=) (4 x 2)	01.97→08.03 01.97→06.98		E4366 <sup>1</sup>	G16259	MC114 MK096 PK029			E5609 <sup>1</sup>	G55019	
RX 4 (=) (4 x 4)	06.00→08.03							376110SP	E1368 <sup>1</sup>	

## SCENIC II

1.4 16V, 1.6 16V, 2.0 16V, 1.5 dCi, 1.9 dCi (-)	06.03→06.09	742063SP	E4749 <sup>1</sup>	G7396	MK193 PK162		376084SP	E1331 <sup>1</sup>		
1.4 16V, 1.6 16V, 2.0 16V, 1.5 dCi, 1.9 dCi (+)	06.03→06.09	742082SP	E4751 <sup>1</sup>		MK193 PK162		376124SP	E1332 <sup>1</sup>		

## GRAND SCENIC II

 (-)	03.04→06.09	742063SP	E4749 <sup>1</sup>	G7396	MK193 PK159		376096SP	E1362 <sup>1</sup>		
---------	-------------	----------	--------------------	-------	----------------	--	----------	--------------------	--	--

## SCENIC III

1.4, 1.6, 2.0, 1.5 dCi, 1.9 dCi, 2.0 dCi (+)	02.09→10.16	742096SP	E7095 <sup>1</sup>		MK327 PK190		376084SP	E1331 <sup>1</sup>		
1.4, 1.6, 2.0, 1.5 dCi, 1.9 dCi, 2.0 dCi (+)	02.09→10.16				MK327 PK190		376124SP	E1332 <sup>1</sup>		

## GRAND SCENIC III

1.4, 1.6, 2.0, 1.5 dCi, 1.9 dCi, 2.0 dCi (+)	12.08→10.16	742096SP	E7095 <sup>1</sup>		MK327 PK190		376087SP			
1.4, 1.6, 2.0, 1.5 dCi, 1.9 dCi, 2.0 dCi (+)	12.08→10.16				MK327 PK190		376096SP	E1362 <sup>1</sup>		

MC... =

MK... =

PK... =



	OESPECTRUM	REFLEX	ORIGINAL			OESPECTRUM	REFLEX	ORIGINAL		
	RIDESENSE	ADVENTURE				RIDESENSE	ADVENTURE	LEVELING		

**SYMBOL I, THALIA I**

1.4 8V (=) ORIG.	99 → 08			11337	Orig. no 77 00 436 108			E1233 <sup>1</sup>	23896		
1.4 16V (=) ORIG.	99 → 08			11273	MC212 MK100 PK066			E1233 <sup>1</sup>	23896		
1.6 16V, 1.5 dCi, (=) ORIG.	99 → 08		E4382 <sup>1</sup>	11272	82 00 221 816 82 00 299 816			E1233 <sup>1</sup>	23896		
				11273	77 00 428 438 77 00 428 602 82 00 030 741 82 00 299 817						

**SYMBOL II, THALIA II**

1.2, 1.4	09.08 → 06.14		E4382 <sup>1</sup>	11272	MC212 MK100 PK066			E1233 <sup>1</sup>	23896		
1.6, 1.5 dCi	09.08 → 06.14		E4382 <sup>1</sup>	11272	Orig. no 7700435333 7700839378 8200193013 8200221816 8200238826 8200299816 8200622265 8200737472			E1233 <sup>1</sup>	23896		
				11273	7700428438 7700428602 7700434925 7702258372 8200030741 8200059508 8200126408 8200193016 8200299817 8200299822 8200622261 8200737473 8200737475						

**SYMBOL III, THALIA III**

0.9 TCe, 1.2, 1.5	11.12 →			G7456	PK286				G1225		
0.9 TCe, 1.2, 1.5 (+)	11.12 →			G7455	PK286				G1225		

**TRAFIC I P-SERIES** (4 x 2)

P3.. → veh.no. 0003373	81 → 82			V4402							
P5.. → veh.no. 000224				V4404							
P64. → veh.no. 000105											
P3.. veh.no. 0003374 →	82 → 02.89			V4402							
P5.. veh.no. 0000225 →	82 → 85								V2061		
P64. veh.no. 0000106 →	82 → 02.89			V4404							
P8..	82 → 86										
P6C. PA..	81 → 86								V2061		
PC..	84 →										

MC... =      MK... =      PK... =



	OESPECTRUM	REFLEX	ORIGINAL			OESPECTRUM	REFLEX	ORIGINAL		
	RIDESENSE	ADVENTURE				RIDESENSE	ADVENTURE	LEVELING		

**TRAFIC I T-SERIES** (4 x 2)

T1..	81→02.89									
(-)										
T1..	03.89→06.02									
T2..	86→06.02				V4402					
T3..	81→06.02									
T4..	81→02.89							V2026		
(-)										
(-) T 42., (-) T 46.										
T42.	81→12.82				V4404					
→ veh.no. 0025720										
T4..	03.89→06.02									
T5B.										
T46.	01.83→02.89							V2026		
veh.no. 0025721 →										
T1..	81→02.89									
T4..										
T5..					V4402					
T53.	03.89→06.02									
T6..	83→86									
T7..	86→06.02							V2030		
T9..	83→89									
TA..	81→86				V4404					
TB..	86→06.02									
TE..	03.89→06.02									

**TRAFIC I V-SERIES** (4 x 4)

V2..	87→88									
V3..	03.89→06.02							V2061		
V4..	87→06.02									
V5..	85→06.02									
V9..	85→88									

**TRAFIC II**

1.9 DCi	06.02→06.14			V4504	MK181 PK116			V1167		
---------	-------------	--	--	-------	----------------	--	--	-------	--	--

**TRAFIC III**

1.6 DCi	06.14→							V1167		
---------	--------	--	--	--	--	--	--	-------	--	--

**TWINGO I (C06\_)**

1.1, 1.2	03.93→07.00		E4399 <sup>1</sup>	G16288	MC212 MK018 PK066			E1137 <sup>1</sup>	R3805	MK132 PK149	
1.2 (+/-)	08.00→06.07	742140SP	E4714 <sup>1</sup>	G16310	MC212 MK018 PK066		376148SP	E1280 <sup>1</sup>	R3954	MK132 PK149	

**TWINGO II (CN0\_)**

1.2, 1.5 dCi (-) Turbo & RS	03.07→09.14			R7610	MC212 MK100 PK066				G1101		
-----------------------------	-------------	--	--	-------	-------------------------	--	--	--	-------	--	--

**TWINGO III (BCM\_)**

	08.14→	742271SP			MK418		376242SP				
--	--------	----------	--	--	-------	--	----------	--	--	--	--

MC... =      MK... =      PK... =

RENAULT



	OESPECTRUM	REFLEX	ORIGINAL			OESPECTRUM	REFLEX	ORIGINAL		
	RIDESENSE	ADVENTURE				RIDESENSE	ADVENTURE	LEVELING		

**VEL SATIS**

2.0, 2.0 16V Turbo, 3.5 V6, 6.02→08.09 2.0 dCi, 2.2 dCi, 3.0 dCi (+)	742217SP	E7075 <sup>1</sup>		MK185 PK165						
--	----------	--------------------	--	----------------	--	--	--	--	--	--

**VOLTIGEUR, GOELETTE**

R 2065, R 2086	59→ 65							R2030		
----------------	--------	--	--	--	--	--	--	-------	--	--

**ZOE**

Electric	06.12→			MK418				R2030		
----------	--------	--	--	-------	--	--	--	-------	--	--

**RENAULT SAMSUNG MOTORS**

**SM 5 (L43)**

2.0, 2.5 Soft Suspension	10→			G8180				G2221		
				G8181						
2.0, 2.5 Medium Suspension	10→			G8182				G2221		
				G8183						
2.0, 2.5 Heavy Suspension	10→			G8184				G2221		
				G8185						

**RENAULT TRUCKS**

**MESSENGER**

B 80, B 110, B 120	05.92→06.99			V2313	Orig. no 5000390683				V2314	Orig. no 5000393420	
--------------------	-------------	--	--	-------	------------------------	--	--	--	-------	------------------------	--

MC... =      MK... =      PK... =





	OESPECTRUM	REFLEX	ORIGINAL		OESPECTRUM	REFLEX	ORIGINAL	
	RIDESENSE	ADVENTURE			RIDESENSE	ADVENTURE		

**MIDLINER M 140, M 150, M 160**

<b>M 140, M 160</b> 40D <b>M 150</b> 41VC <small>ch.no. VF640</small>			<b>V2307</b>	Orig. no 5010391872				<b>V2103</b>	Orig. no 5010488160	
<b>M 140</b> 41C → 08.97 (=)  2 <small>ch.no. VF640#20810</small> <b>M 140, M 160</b> 40C (=)  1 <small>ch.no. 20702</small> <b>M 140, M 160</b> 40C (=)  2 <small>ch.no. 20709</small> <b>M 150</b> 41C (=)  1 <small>ch.no. VF640#20505/20702</small> <b>M 150</b> 41C (=)  2 <small>ch.no. VF640#20101/20103/20709</small> <b>M 150</b> 41C9 Tractor (=)  2 <small>ch.no. VF640</small> <b>M 150</b> 41D <small>ch.no. 20101/03</small> <b>M 150</b> 41Si CAM=12HV <small>ch.no. VF640</small> <b>M 150</b> 41Si CAM=12JV <b>M 160</b> 40G (=)  1			<b>V2307</b>	5000453057						
<b>M 140, M 160</b> 40C (+) <small>ch.no. VF640</small> <b>M 140, M 160</b> 40C (+) <b>M 150</b> 41C CAM=13HV <small>ch.no. VF640#20503/20802/20809</small> <b>M 150</b> 41C Rigid (=)  3  (2L32+1L40) <small>ch.no. VF640#20101/20103/20505/20802/20809</small> <b>M 150</b> 41C9 Tractor (=)  3  (2L28+1L36) <small>ch.no. VF640#20505/20810</small> <b>M 150</b> 41D <small>ch.no. VF640#20802/20809</small> <b>M 150</b> 41D (=)  2 <small>ch.no. VF640#20810</small> <b>M 150</b> 41Si <small>ch.no. VF640</small> <b>M 160</b> 40H <b>M 140, M 160</b> 40C (+/-) Refuse Collector <b>M 160</b> 40G (=)  3 (+/-) Refuse Collector <b>M 150</b> 41C CAM=14HV <small>ch.no. VF640#20503/20802/20809</small>								<b>V2103</b>	5010488160	

RENAULT

MC... =	MK... =	PK... =
---------	---------	---------



<b>MONROE</b>	OESPECTRUM	REFLEX	ORIGINAL			OESPECTRUM	REFLEX	ORIGINAL		
	RIDESENSE	ADVENTURE				RIDESENSE	ADVENTURE	LEVELING		

**MIDLINER M 180, M 210, M 230 Ti**

<p><b>M 230 Ti 40C</b> → 8.97 (=)  1  ch.no. 20505/20702</p> <p><b>M 180 41A/B</b> (=)  2+2  ch.no. 20802</p> <p><b>M 180 41C</b> (=)  1  ch.no. VF640#20505/20702</p> <p><b>M 180 41C</b> (=)  2  <b>HD</b> ch.no. VF640#20101/20103/20709</p> <p><b>M 180 41Si CAM=12HV</b> ch.no. VF640</p> <p><b>M 180, M 210, M 230 Ti 41C9 Tractor</b> (=)  2 </p> <p><b>M 180, M 210, M 230 Ti 41D</b> ch.no. 20101/03</p> <p><b>M 180, M 210, M 230 Ti 41Si CAM=12JV</b></p>				<b>V2307</b>	Orig. no 5000453057 5010348430 5010391872						
<p><b>M 180, M 210, M 230 Ti 41C</b> → 08.97 (=)  3  ch.no. 20101/03-20505-20802</p> <p><b>M 180 41C5 Tractor</b> (=)  3  (2L24+1L35) ch.no. VF640#20505/20802</p> <p><b>M 230 Ti 41C9 Tractor</b> (=)  3  ch.no. 20505, 20802</p> <p><b>M 180 41C CAM=14HV</b> ch.no. VF640#20503/20802/20809</p> <p><b>M 180, M 210, M 230 Ti 41C CAM=13JV</b> ch.no. 20503-20802-20809</p> <p><b>M 180 41C CAM=13HV</b> ch.no. VF640#20503/20802/20809</p> <p><b>M 180 41C9 Tractor</b> (=)  3  (2L28+1L36) ch.no. VF640#20505/20810</p> <p><b>M 180 41D</b> ch.no. VF640#20802/20809</p> <p><b>M 180 41D</b> (=)  2  ch.no. VF640#20810</p> <p><b>M 180 41Si</b> ch.no. VF640</p>							<b>V2103</b>	Orig. no 5010488160			
<p><b>M 180 41VC</b> ch.no. VF640</p>				<b>V2307</b>	5010348430				<b>V2103</b>	5010488160	

**MIDLINER M 200, M 220, M 230, M 250**

<p><b>M 200 40C</b> → 8.97 (=)  1  ch.no. 20505, 20702</p> <p><b>M 200, M 220, M 230 40C</b> (=)  2  <b>HD</b> ch.no. 20709</p> <p><b>M 230 40D</b></p> <p><b>M 200 40G</b> (=)  1 </p>				<b>V2307</b>	Orig. no 5010348430 5010391872					
---	--	--	--	--------------	--------------------------------------	--	--	--	--	--

MC... =      MK... =      PK... =



	OESPECTRUM	REFLEX	ORIGINAL			OESPECTRUM	REFLEX	ORIGINAL		
	RIDESENSE	ADVENTURE				RIDESENSE	ADVENTURE	LEVELING		

<b>M 200</b> 40G, 40H → 8.97 (=)  2 <b>M 200</b> 41D ch.no. VF640#20101/20103 <b>M 250</b> 41D ch.no. 20101/03 <b>M 220, M 250</b> 41Si CAM=12JV			<b>V2307</b>	Orig. no 5010348430 5010391872						
<b>M 200</b> 40C (+) ch.no. VF640 <b>M 200</b> 40H <b>M 200</b> 40C (+/-) Refuse Collector <b>M 200</b> 40G (=)  3 Refuse Collector							<b>V2103</b>	Orig. no 5010488160		
<b>M 200</b> 40D			<b>V2307</b>	5010348430 5010391872			<b>V2103</b>	5010488160		

**MIDLINER S 120, S 135**

<b>S 120</b> 40H <b>S 120</b> 40G (=)  3 Refuse Collector							<b>V2103</b>	Orig. no 5010488160		
<b>S 120</b> 40G (=)  1 <b>S 120</b> 40G, 40H (=)  2			<b>V2307</b>	Orig. no 5010348430 5010391872						

**MIDLINER S 140, S 150, S 160, S 180**

<b>S 150</b> 40C → 8.97 (=)  1 ch.no. VF640#20505/20702 <b>S 150</b> 41C (=)  1 ch.no. 20505, 20702 <b>S 150</b> 41C (=)  2 ch.no. 20101/03, 20709 <b>S 150, S 180</b> 41D ch.no. 20101/03 <b>S 150, S 180</b> 41Si CAM=12JV			<b>V2307</b>	Orig. no 5010348430						
<b>S 150</b> 41C → 8.97 (=)  3 <b>S 150</b> 41C CAM=13JV ch.no. VF640AC#20503 ch.no. VF640AC#20802/20809 <b>S 140</b> CAT 0096-B <b>S 150</b> 41C CAM=15JV 09.97→ ch.no. VF640AC#20503/208							<b>V2103</b>	Orig. no 5010488160		

**MIDLINER S 210, S 220, S230 Ti, S 250**

<b>S 210, S 220, S 230 Ti, S 250</b> → 08.97 41D ch.no. 20101/03 <b>S 210, S 220, S 230 Ti, S 250</b> 41Si CAM=12JV			<b>V2307</b>	Orig. no 5010391872						
---	--	--	--------------	------------------------	--	--	--	--	--	--

**ROVER**

**25**

	07.99→05.05			<b>PK381</b>			<b>23945</b>	<b>PK360</b>	
--	-------------	--	--	--------------	--	--	--------------	--------------	--

MC... =      MK... =      PK... =

ROVER



<b>MONROE</b>	OESPECTRUM	REFLEX	ORIGINAL			OESPECTRUM	REFLEX	ORIGINAL		
	RIDESENSE	ADVENTURE				RIDESENSE	ADVENTURE	LEVELING		

**45**

	01.00 → 05.05			23942 						
				23943 				23944		

**75**

1.8, 2.0, 2.5, 2.0 CDTi	04.99 → 04.05	742172SP 	E49691 (E4969R E4970L)		PK132			376111SP	E13011		PK082	
		742173SP 										

**200 SERIES**

	09.84 → 12.89			11072	PK065					R3729		
	10.89 → 10.95									23826		
211, 214, 216, 220D	11.95 → 99			11710	MK129 PK381					23945	PK360	
200 Vi, 200 BRM	11.95 → 99			11710	MK129 PK381						PK360	

**200 SERIES**

	10.92 → 02.96									23826		
→ ch.no. 911247												
	03.96 → 11.99			11710	PK381						PK360	
ch.no. 911248 →												

**200 SERIES**

214, 216	10.92 → 02.96									23826		
→ ch.no. 911247												
	03.96 → 11.99				PK381					23826	PK360	
ch.no. 911248 →												

**400 SERIES**

414, 416, 420, 418 D	10.89 → 04.95									23826		
420 GSi, 420 GSi Turbo												
414 416 (-)	05.95 → 03.00		E11711 (E1171R E1172L)	23787 						23944		
				23788 								
416 (+)	05.95 → 03.00			23942 						23944		
420i, 420 D				23943 								

**400 SERIES/TOURER**

416, 420, 418 D	09.93 → 02.96									23826		
→ ch.no. 911247												
	03.96 → 12.99			11710						23826		
ch.no. 911248 →												

**600 SERIES**

	09.93 → 02.96			23794						23795		
→ ch.no. AM246796												

MC... =      MK... =      PK... =





<b>MONROE</b>	OESPECTRUM	REFLEX	ORIGINAL			OESPECTRUM	REFLEX	ORIGINAL		
	RIDESENSE	ADVENTURE				RIDESENSE	ADVENTURE	LEVELING		

**9.3**

2.0i, 2.0 LPT, 2.3 i, 2.2 TiD (+) (-) 2.0 Turbo (-)	03.98→08.02	376105SP	E3453 <sup>1</sup>		MK006 PK080		376187SP	E1231 <sup>1</sup>			
2.3 i, 2.0 LPT, 2.2 TiD (+) 2.0 Turbo	03.98→08.02	376119SP	E3454 <sup>1</sup>		MK006 PK080		376187SP	E1231 <sup>1</sup>			

**9.3**

1.8 i, 1.8 t, 2.0 t, 2.0 T, 1.9 TiD, 2.2 TiD	06.02→07.12	742104SP 	E7022 <sup>1</sup> (E7022R E7023L)	G8290 	MC112 MK208 MK342 I79 PK318		376120SP	E1329 <sup>1</sup>			
		742105SP 		G8291 	MC112 MK208 MK342 I79 PK318						

**9.3**

2.0 LPT, 2.0i, 2.3i, 2.0 Turbo	03.98→08.03	376105SP	E3453 <sup>1</sup>		MK006 PK080		376187SP	E1231 <sup>1</sup>			
1.8 t, 2.0 t, 2.0 T	07.03→07.12	742104SP 	E7022 <sup>1</sup> (E7022R E7023L)	G8290 	MC342 MK208 MK342 I79 PK318		376120SP	E1329 <sup>1</sup>			
		742105SP 		G8291 	MC342 MK208 MK342 I79 PK318						

**I79**

MK001, MK202, MK342, MK343, MK344, MK345, MK346, MK347 =   
 MK149, MK208, MK263R, MK264L, MK271, MK321, MK322, MK376 =   
 MK067, MK068, MK077, MK156, MK194, MK326, MK332, MK334R, MK335L, MK337, MK372 = +

**9.5**

2.0 16V, 2.3 16V, 3.0 V6 24V	06.97→09.01										
Aero 2.3 16V (-)	07.99→09.01	742158SP	E4619 <sup>1</sup>		MK268 PK316		376106SP	E1223 <sup>1</sup>		I36 PK317	
2.0 16V, 2.3 16V, 3.0 V6 24V	06.97→09.01										
Aero 2.3 16V	07.99→09.01										
2.0 t, 2.3 t, 2.3 T Aero, 3.0 t V6, 2.2 TiD, 3.0 TiD (+)	09.01→05.10				MK268 PK316		376126SP	E1279 <sup>1</sup>		I36 PK317	
2.0 t, 2.2 TiD, 2.3 t, 2.3 T Aero, 3.0 t V6, 3.0 TiD (-)	09.01→05.10	742124SP	E4636 <sup>1</sup>		MC112 MK268 PK316		376106SP	E1223 <sup>1</sup>		I36 PK317	

**SANTANA → SUZUKI**

**SAVA**

**J4**

	65→89			V1026							
--	-------	--	--	-------	--	--	--	--	--	--	--

MC... =      MK... =      PK... =



	OESPECTRUM	REFLEX	ORIGINAL			OESPECTRUM	REFLEX	ORIGINAL		
	RIDESENSE	ADVENTURE				RIDESENSE	ADVENTURE	LEVELING		

## SEAT

### 124, 1430

	01.68 → 10.80			R2559					R3274		
--	---------------	--	--	-------	--	--	--	--	-------	--	--

### 124, 1430

Familiar	01.70 → 10.74			R2559					G22563		
----------	---------------	--	--	-------	--	--	--	--	--------	--	--

### 127, FURA

	06.72 → 12.85			R11025	MC110				R11001		
(-) Crono											
Crono	02.83 → 12.86								R11001		

### 128

	10.73 → 12.80			R11003	MC110				R11004		
--	---------------	--	--	--------	-------	--	--	--	--------	--	--

### 131

	05.75 → 12.78			11002	MC110				R3274		
(-) Diesel											

### 131 MIRAFIORI, 131 SUPERMIRAFIORI

	01.79 → 09.81				MC110				R3274		
(-) 2000 Gasoline											
	10.81 → 01.85			R11026	MC110				R3274		
(-) 2500 D											
2000 Gasoline	12.81 → 01.85										
2500 D	10.81 → 01.85			11501	MC110				R3274		

### 131 MIRAFIORI, 131 SUPERMIRAFIORI

Panorama Familiar	10.81 → 01.85			R11026	MC110						
(-) Diesel											
Panorama Diesel Familiar	10.81 → 01.85			11501	MC110						

### 132

	06.73 → 12.82			G23264					G23265		
--	---------------	--	--	--------	--	--	--	--	--------	--	--

### 133

	06.64 → 11.79								R2503		
--	---------------	--	--	--	--	--	--	--	-------	--	--

### 600, 800

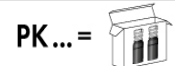
800, 600 D	06.66 → 10.73			R1503					R1554		
---------------	---------------	--	--	-------	--	--	--	--	-------	--	--

### 850

	06.65 → 10.75								R2503		
--	---------------	--	--	--	--	--	--	--	-------	--	--

### 1200, 1430 SPORT

	75 → 81								R11001		
--	---------	--	--	--	--	--	--	--	--------	--	--





<b>MONROE</b>	OESPECTRUM	REFLEX	ORIGINAL			OESPECTRUM	REFLEX	ORIGINAL		
	RIDESENSE	ADVENTURE				RIDESENSE	ADVENTURE	LEVELING		

**ALHAMBRA I (7M)**

	03.96 → 03.10		E4562 <sup>1</sup>	<b>G16694</b>	MK344 MK067 !79 PK060			E1286 <sup>1</sup>	<b>23957</b>		
--	---------------	--	--------------------	---------------	--------------------------------	--	--	--------------------	--------------	--	--

**ALHAMBRA II (7N)**

1.4TFSi, 2.0TFSi, 2.0TDi (-)	06.10 →			<b>G8264</b>					<b>G1218</b>		
1.4TFSi, 2.0TFSi, 2.0TDi (-)	06.10 →			<b>G8264</b>							
1.4TFSi, 2.0TFSi, 2.0TDi (+)	06.10 →	<b>C2513S</b>					<b>C1514R</b> 				
							<b>C1517L</b> 				

**ALTEA, ALTEA XL**

1.6, 2.0 FSi, 2.0 TFSi, 1.9 TDi, 2.0 TDi (+)	06.04 → 08.15	<b>742250SP</b>	E7052 <sup>1</sup>		<b>!64</b> Ø 50mm (A) MK345 MK194 !79 PK163		<b>376053SP</b>	E1337 <sup>1</sup>	<b>23979</b>		<b>!78</b> MK203 MK386 PK319	
		<b>742251SP</b>	E7053 <sup>1</sup>		<b>!64</b> Ø 55mm (B) MK345 MK194 !79 PK163							
1.6, 2.0 FSi, 1.9 TDi, 2.0 TDi (+)	06.04 → 08.15	<b>742250SP</b>	E7052 <sup>1</sup>		<b>!64</b> Ø 50mm (A) MK345 MK194 !79 PK163		<b>376068SP</b>	E1351 <sup>1</sup>			<b>!78</b> MK203 MK386 PK319	
		<b>742251SP</b>	E7053 <sup>1</sup>		<b>!64</b> Ø 55mm (B) MK345 MK194 !79 PK163							

**!64**



**!78/!79**

**!79**

MK001, MK202, MK342, MK343, MK344, MK345, MK346, MK347 =

MK149, MK208, MK263R, MK264L, MK271, MK321, MK322, MK376 =

MK067, MK068, MK077, MK156, MK194, MK326, MK332, MK334R, MK335L, MK337, MK372 =

**!78**

=

=

=

=

=

=

=

=

=

=

**ARONA**

	16 →				<b>MK411</b>					
--	------	--	--	--	--------------	--	--	--	--	--

MC... =      MK... =      PK... =





	OESPECTRUM	REFLEX	ORIGINAL			OESPECTRUM	REFLEX	ORIGINAL		
	RIDESENSE	ADVENTURE				RIDESENSE	ADVENTURE	LEVELING		

### AROSA

	02.97 → 06.04			11202	MC212 MK068 MK344 I79 PK051				23898		
--	---------------	--	--	-------	---	--	--	--	-------	--	--

### ATECA (KH7)

1.0 TSi, 1.4 TSi, 2.0 TSi, 1.6 TDi, 2.0 TDi (-)	04.16 →				MK411						
1.4 TSi, 2.0 TSi, 2.0 TDi (+) (=) (4 x 4)	04.16 →	C2516S					C1521S				

### EXEO, EXEO ST

1.6, 1.8, 2.0 TFSi, 2.0 TDi (+)	04.09 → 04.13	376005SP	E2053 <sup>1</sup>	26665	MK207 PK175		376007SP	E1355 <sup>1</sup>	G1055	MK297 PK137	
1.6, 1.8, 2.0 TFSi, 2.0 TDi (+)	3.09 → 4.13	376176SP	E2067 <sup>1</sup>		MK207 PK175		376008SP	E1356 <sup>1</sup>		MK297 PK137	
1.6, 1.8, 2.0 TFSi, 2.0 TDi (+)	3.09 → 04.13	376006SP	E2055 <sup>1</sup>		MK207 PK175		376009SP	E1285 <sup>1</sup>		MK297 PK137	

### IBIZA I, II, III , CORDOBA

	04.84 → 03.86				MK029				R11065		
	04.86 → 08.89				MK027 PK047				R11065		
	09.89 → 02.93			11127	MC212 MK027 PK047				R11065		
 → ch.no. 6K#TR080-000 (-) 1.8 GTi 16V (-) 2.0 GTi (-) 2.0 GLX	02.93 → 05.94		E4202 <sup>1</sup>	11163	MC212 MK033 PK052			E1071 <sup>1</sup>	R3796	MK133 PK049	
1.8 GTi 16V, 2.0 GTi, 2.0 GLX → ch.no. 6K#ZR082-400 → ch.no. 6K#ZR599-964	02.93 → 05.94			16151	MC212 MK033 PK052						
 ch.no. 6K#TR080-001 → 6K#X#400.000 (-) 1.8 GTi 16V (-) 2.0 GTi (-) 2.0 GLX (-) 1.9D/TD/SDi/TDi	05.94 → 03.99		E4355 <sup>1</sup>	11250	MC212 MK067 MK344 I79 PK001			E1071 <sup>1</sup>	R3796	MK133 PK049	
1.8 GTi 16V, 2.0 GTi, 2.0 GLX ch.no. 6K#ZR082-401 → 6K#X#400.000 ch.no. 6K#ZR599-965 → 6K#X#400.000	05.94 → 03.99		E4513 <sup>1</sup>	G16577	MC212 MK067 MK344 I79 PK001					MK133	
1.9 D, 1.9 TD, 1.9 SDi, 1.9 TDi → ch.no. 6K#X#400.000	05.94 → 03.99		E4513 <sup>1</sup>	G16577	MC212 MK067 MK344 I79 PK001			E1071 <sup>1</sup>	R3796	MK133 PK049	
1.0, 1.4, 1.6, 1.9 SDi, 1.9 TDi ch.no. 6K#X#400.001 → (-) 1.8 20 V Turbo (-) (-)	03.99 → 05.02		E4355 <sup>1</sup>	11250	MC212 MK156 MK345 I79 PK001			E1214 <sup>1</sup>	23886	MK133 PK049	

MC... =      MK... =      PK... =



	OESPECTRUM	REFLEX	ORIGINAL			OESPECTRUM	REFLEX	ORIGINAL		
	RIDESENSE	ADVENTURE				RIDESENSE	ADVENTURE	LEVELING		

1.8 20 V Turbo 1.9 TDi (+) <input type="checkbox"/> SP ch.no. 6K#X#400.001 →	03.99→05.02		E4355 <sup>1</sup>	11250	MC212 MK156 MK345 I79			E1214 <sup>1</sup>	23886	MK133	
1.0, 1.4, 1.6, 1.9 SDi (+) <input type="checkbox"/> SP 1.9 TDi (+) <input type="checkbox"/> HD ch.no. 6K#X#400.001 →	03.99→05.02		E4513 <sup>1</sup>	G16577	MC212 MK156 MK345 I79 PK052			E1214 <sup>1</sup>	23886	MK133	
1.2, 1.2 12V, 1.4 16V, 1.4 TDi, 1.9 SDi kW 55, kW 74 1.9 TDi kW 74, kW 96 (-) <input type="checkbox"/> SP	09.01→11.09	742052SP	E4997 <sup>1</sup>	16451	MK156 MK345 I79 PK012		376224SP	E1274 <sup>1</sup>	23950	MK118 PK078	
1.2, 1.2 12V, 1.4 16V 1.4 TDi, 1.9 SDi kW 55, kW 74 1.9 TDi kW 74, kW 96 (+) <input type="checkbox"/> SP	09.01→11.09	742042SP	E4998 <sup>1</sup>		MK345 MK156 I79 PK012		376227SP	E1306 <sup>1</sup>		MK118 PK078	

**CORDOBA**

Vario (-) 1.9 SDi/TDi	09.96→08.03		E4355 <sup>1</sup>	11250	MC212 MK156 MK345 I79 PK001			E1214 <sup>1</sup>	23886	PK049	
Vario 1.9 SDi, 1.9 TDi	06.97→08.02		E4513 <sup>1</sup>	G16577	MC212 MK156 MK345 I79 PK001			E1214 <sup>1</sup>	23886	PK049	

**IBIZA IV**

1.2, 1.2 TSi, 1.4, 1.6, 1.2 TDi, 1.4 TDi, 1.6 TDi, 1.9 TDi (+) <input type="checkbox"/> ND	03.08→03.17	742036SP	E7091 <sup>1</sup>	G8109	MK344 MK077 PK076		376224SP	E1274 <sup>1</sup>	23950	MK118 I79 PK078	
1.2, 1.2 TSi, 1.4, 1.6, 1.2 TDi, 1.4 TDi, 1.6 TDi, 1.9 TDi (+) <input type="checkbox"/> SP 1.4 TSi FR (150 PS), 1.4 TSi Cupra (180 PS), 2.0 TDi (145 PS) (+) <input type="checkbox"/> ND (+) <input type="checkbox"/> SP	03.08→03.17	742044SP			MK344 MK077 I79 PK076		376224SP	E1274 <sup>1</sup>	23950	MK118 PK078	

**IBIZA V**

	17→				MK411						
--	-----	--	--	--	-------	--	--	--	--	--	--

MC... =      MK... =      PK... =



	OESPECTRUM	REFLEX	ORIGINAL		OESPECTRUM	REFLEX	ORIGINAL	
	RIDESENSE	ADVENTURE			RIDESENSE	ADVENTURE	LEVELING	

**LEON**

1.4, 1.6, 1.9 SDi (+)	10.98 → 7.05	742258SP	E4373 <sup>1</sup>	G16264	MK344 MK077 I79 PK076		376225SP	E1221 <sup>1</sup>	23890	MK118 PK078	
1.4, 1.6, 1.9 SDi (+)	10.98 → 7.05	742256SP	E4858 <sup>1</sup>		MK344 MK077 I79 PK076		376229SP	E1212 <sup>1</sup>		MK118 PK078	
1.8, 2.3, 1.9 TDi (+) (-) 1.8 Turbo (-) 2.8 V6	10.98 → 7.05	742256SP	E4858 <sup>1</sup>		MK344 MK077 I79 PK076		376225SP	E1221 <sup>1</sup>	23890	MK118 PK078	
1.8, 2.3, 1.9 TDi (+) (-) 1.8 Turbo	10.98 → 7.05	742256SP	E4858 <sup>1</sup>		MK344 MK077 I79 PK076		376226SP	E1222 <sup>1</sup>		MK118 PK078	
1.8 Turbo (+/-)	10.98 → 07.05				MK344 MK077 PK076		376231SP	E1205 <sup>1</sup>		MK118 PK018	
1.9 TDi Syncho, (=) (4 x 4)	05.02 → 07.05	742074SP	E4999 <sup>1</sup>		MK344 MK077 I79		376055SP	E1261 <sup>1</sup>	G1236		
1.6, 1.6 FSi, 2.0 FSi, 2.0 TFSi, 1.9 TDi, 2.0 TDi (+)	07.05 → 08.13	742250SP	E7052 <sup>1</sup>		MK345 MK194 I79 PK163 I64 Ø 50mm (A)		376053SP	E1337 <sup>1</sup>	23979	MK203 PK277	
		742251SP	E7053 <sup>1</sup>		MK345 MK194 I79 PK163 I64 Ø 55mm (B)						
1.6, 1.6 FSi, 2.0 FSi, 2.0 TFSi, 1.9 TDi, 2.0 TDi (+)	7.05 → 8.13	742250SP	E7052 <sup>1</sup>		I64 Ø 50mm (A) MK345 MK194 I79 PK163		376068SP	E1351 <sup>1</sup>		MK203 PK277	
		742251SP	E7053 <sup>1</sup>		I64 Ø 55mm (B) MK345 MK194 I79 PK163						

**I64**



**I79**

MK001, MK202, MK342, MK343, MK344, MK345, MK346, MK347 =   
 MK149, MK208, MK263R, MK264L, MK271, MK321, MK322, MK376 =   
 MK067, MK068, MK077, MK156, MK194, MK326, MK332, MK334R, MK335L, MK337, MK372 = +

MC... =	MK... =	PK... =
---------	---------	---------

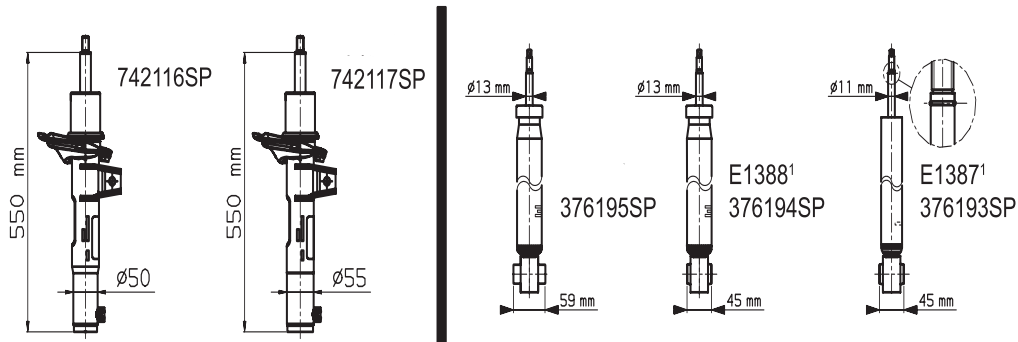


<b>MONROE</b>	OESPECTRUM	REFLEX	ORIGINAL			OESPECTRUM	REFLEX	ORIGINAL		
	RIDESENSE	ADVENTURE				RIDESENSE	ADVENTURE	LEVELING		

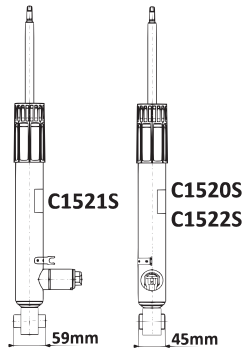
**LEON (5F)**

1.0 TSi, 1.2 TSi, 1.4 Tsi, 09.12→ 2.0 Tsi, 1.8TFSi, 2.0 Cupra Tsi 1.6 TDi, 2.0 TDi (-)	742116SP			∅ 50 mm I86 MK411		376193SP	E1387 <sup>1</sup>			
	742117SP			∅ 50 mm I86 MK411		376194SP	E1388 <sup>1</sup>		I86	
	C2516S					376195SP				
1.0 TSi, 1.2 TSi, 1.4 Tsi, 09.12→ 1.6 Tsi, 1.8TFSi, 1.6 TDi, 2.0 TDi, 2.0 Cupra TDi, 1.4 TGi (+)						C1520S				
						C1521S			I94	

**I86**



**I94**



**MALAGA**

	11.84→09.86				MK029				R11065		
	10.86→08.89				MK027 PK047				R11065		
	09.89→12.93			11127	MC212 PK047				R11065		

**MARBELLA**

	07.86→03.89			R11038	MC210 MK029 PK012				R3292		
	04.89→05.99			R11121	MC210 MK027 PK012				R3292		

**MII**

1.0	8.11→			G7112	MK077 PK357				G2165	PK371	
-----	-------	--	--	-------	----------------	--	--	--	-------	-------	--

**PANDA**

	10.80→12.86			R11038	MC210 MK029 PK012				R3292	PK127	
--	-------------	--	--	--------	-------------------------	--	--	--	-------	-------	--

MC... =      MK... =      PK... =



	OESPECTRUM	REFLEX	ORIGINAL			OESPECTRUM	REFLEX	ORIGINAL		
	RIDESENSE	ADVENTURE				RIDESENSE	ADVENTURE	LEVELING		

### RITMO, RONDA

(-) Crono	07.78 → 09.83			11011	MC110				R11046	
Crono	07.78 → 12.83			11011	MC110					
Crono	01.84 → 11.88				MC110 MK029					
(-) Crono	01.84 → 11.88				MC110 MK029				R11046	

### TERRA, TRANS, INCA

Terra	01.87 → 03.89			R11038	MC210 MK029 PK012				R3292	
Trans	85 → 12.96									
Terra	04.89 → 12.96			R11121	MC210 MK027 PK012				R3292	
Inca	11.95 → 06.03			11250	MC212 MK067 MK344 !79 PK001				R3462	

### TOLEDO I (1L)

(-) 2.0i 16V 110 (-) 2.0 GT16V (-) 1.8i GT16V	03.91 → 08.95		E4201 <sup>1</sup>	11123	MC212 MK033 PK001			E1008 <sup>1</sup>	R3728	MK133 PK017	
1.8i GT16V, 2.0 GT16V	03.91 → 08.95			16151	MC212 MK033 PK052				23976	MK133 PK017	
2.0i 16V	03.91 → 08.95		E4513 <sup>1</sup>	G16577	MC212 MK033 PK052				23976	MK133 PK017	
(-) 2.0 GT (-) 2.0 16V kW 110 (-) 1.9 TDi	09.95 → 03.99		E4355 <sup>1</sup>	11250	MC212 MK067 MK344 !79 PK001			E1008 <sup>1</sup>	R3728	MK133 PK017	
2.0 16V	09.95 → 03.99		E4513 <sup>1</sup>	G16577	MC212 MK067 MK344 !79 PK052				23976	MK133 PK017	
1.9 TDi	09.95 → 03.99		E4513 <sup>1</sup>	G16577	MC212 MK067 MK344 !79 PK052			E1008 <sup>1</sup>	R3728	MK133 PK017	
2.0 GT	09.95 → 03.99		E4355 <sup>1</sup>	11250	MC212 MK067 MK344 !79 PK052				23976	MK133 PK017	

!79

MK001, MK202, MK342, MK343, MK344, MK345, MK346, MK347 =   
 MK149, MK208, MK263R, MK264L, MK271, MK321, MK322, MK376 =   
 MK067, MK068, MK077, MK156, MK194, MK326, MK332, MK334R, MK335L, MK337, MK372 = +

### TOLEDO II (1M2)

1.4, 1.6, 1.9 SDi (+) ND	04.99 → 05.06	742258SP	E4373 <sup>1</sup>	G16264	MK344 MK077 !79 PK076		376225SP	E1221 <sup>1</sup>	23890	MK118 PK078	
1.8, 2.3, 1.9 TDi (+) ND (-) 1.8 Turbo (-) 2.8 V6	04.99 → 05.06	742256SP	E4858 <sup>1</sup>		MK344 MK077 !79 PK076		376225SP	E1221 <sup>1</sup>	23890	MK118 PK078	

MC... =	MK... =	PK... =
---------	---------	---------



MONROE		OESPECTRUM	REFLEX	ORIGINAL	i	C	OESPECTRUM	REFLEX	ORIGINAL	i	C
		RISESENSE	ADVENTURE				RISESENSE	ADVENTURE	LEVELING		
1.8 Turbo (+) ND (+) SP	04.99 → 05.06						376231SP	E1205 <sup>1</sup>		MK118 PK078	⊥ ○
1.4, 1.6, 1.9 SDi (+) HD	04.99 → 05.06	742256SP	E4858 <sup>1</sup>		MK344 MK077 I79 PK076		376229SP	E1212 <sup>1</sup>		MK118 PK078	⊥ ○
1.6, 1.8, 2.3, 1.9 TDi (+) SP (-) 1.8 Turbo	04.99 → 05.06	742256SP	E4858 <sup>1</sup>		MK344 MK077 I79 PK076		376226SP	E1222 <sup>1</sup>		MK118 PK078	⊥ ○

I79

MK001, MK202, MK342, MK343, MK344, MK345, MK346, MK347 =

MK149, MK208, MK263R, MK264L, MK271, MK321, MK322, MK376 =

MK067, MK068, MK077, MK156, MK194, MK326, MK332, MK334R, MK335L, MK337, MK372 =

TOLEDO III (5P2)

1.6, 2.0 FSi, 1.9 TDi, 2.0 TDi (+) ND	04.04 → 07.12	742250SP	E7052 <sup>1</sup>		I64 Ø 50mm (A) MK345 MK194 I79 PK163	376053SP	E1337 <sup>1</sup>	23979	MK203 PK277	⊥ ○
		742251SP	E7053 <sup>1</sup>		I64 Ø 55mm (B) MK345 MK194 I79 PK163					
1.6, 2.0 FSi, 1.9 TDi, 2.0 TDi (+) SP	04.04 → 07.12	742250SP	E7052 <sup>1</sup>		I64 Ø 50mm (A) MK345 MK194 I79 PK163	376068SP	E1351 <sup>1</sup>		MK203 PK277	⊥ ○
		742251SP	E7053 <sup>1</sup>		I64 Ø 55mm (B) MK345 MK194 I79 PK163					

I64



TOLEDO IV (NH)

1.2 TSi, 1.2 MPI, 1.4 TSi, 1.6 MPI, 1.6 SRi, 1.4 TDi, 1.6 Tdi (+) ND	07.12 →	742036SP	E7091 <sup>1</sup>	G8109	MK344 MK077 PK076 I79			G1239	MK118 PK078	⊥ ○
---	---------	----------	--------------------	-------	--------------------------------	--	--	-------	----------------	--------

SHIGULI → LADA

SIMCA → TALBOT-CHRYSLER-SIMCA

SINGER

VOGUE

	67 → 70							R1004		⊥ ○
--	---------	--	--	--	--	--	--	-------	--	--------

MC... =

MK... =

PK... =



	OESPECTRUM	REFLEX	ORIGINAL			OESPECTRUM	REFLEX	ORIGINAL		
	RIDESENSE	ADVENTURE				RIDESENSE	ADVENTURE	LEVELING		

# SKODA

## CITIGO

1.0	08.11→			G7112	MK077 PK357				G2165	PK371	
-----	--------	--	--	-------	----------------	--	--	--	-------	-------	--

## FABIA I

1.0, 1.2, 1.4, 2.0, 1.4 TDi, 1.9 SDi, 1.9 TDi (+)	08.99→12.07	742052SP	E4997 <sup>1</sup>	16451	MK345 MK156 !79 PK012		376224SP	E1274 <sup>1</sup>	23950	MK118 PK078	
1.0, 1.2, 1.4, 2.0, 1.4 TDi, 1.9 SDi, 1.9 TDi (+)	08.99→12.07	742042SP	E4998 <sup>1</sup>		MK345 MK156 !79 PK012		376041SP	E1309 <sup>1</sup>		MK118 PK078	
1.0, 1.2, 1.4, 2.0, 1.4 TDi, 1.9 SDi, 1.9 TDi (+)	08.99→12.07	742042SP	E4998 <sup>1</sup>		MK345 MK156 !79 PK012		376036SP			MK118 PK078	

## FABIA I PRAKTIK

1.0, 1.2, 1.4, 2.0, 1.4 TDi, 1.9 SDi, 1.9 TDi (+)	08.99→12.07	742052SP	E4997 <sup>1</sup>	16451	MK345 MK156 !79 PK012		376224SP	E1274 <sup>1</sup>	23950	MK118 PK078	
1.0, 1.2, 1.4, 2.0, 1.4 TDi, 1.9 SDi, 1.9 TDi (+)	08.99→12.07	742042SP	E4998 <sup>1</sup>		MK345 MK156 !79 PK012		376036SP			MK118 PK078	

## FABIA II

1.2, 1.4 16V, 1.4 TDi, 1.9 TDi (+)	12.06→11.14	742052SP	E4997 <sup>1</sup>	16451	MK345 MK156 !79 PK012		376224SP	E1274 <sup>1</sup>	23950	MK118 PK078	
1.2, 1.4 16V, 1.4 TDi, 1.9 TDi (+)	12.06→11.14	742042SP	E4998 <sup>1</sup>		MK345 MK156 !79 PK012		376041SP	E1309 <sup>1</sup>		MK118 PK078	
1.2, 1.4 16V, 1.6, 1.4 TDi, 1.6 TDi, 1.9 TDi (+)	12.06→11.14	742042SP	E4998 <sup>1</sup>		MK345 MK156 !79 PK012		376036SP			MK118 PK078	

## FABIA II

1.2, 1.4 16V, 1.4 TDi, 1.9 TDi (+)	12.06→11.14	742052SP	E4997 <sup>1</sup>	16451	MK345 MK156 !79 PK012		376224SP	E1274 <sup>1</sup>	23950	MK118 PK078	
1.2, 1.4 16V, 1.6, 1.4 TDi, 1.6 TDi, 1.9 TDi (+)	12.06→11.14	742042SP	E4998 <sup>1</sup>		MK345 MK156 !79 PK012		376036SP			MK118 PK078	

## FABIA III

1.0 MPi, 1.2 TSi, 1.6 SRE, 1.4 TDi (-) Scoutline (+)	08.14→	742036SP		G8109	MK077 PK076		376224SP		23950	PK078	
---	--------	----------	--	-------	----------------	--	----------	--	-------	-------	--

## FAVORIT

 Forman	08.87→08.95		E4288 <sup>1</sup>	G16130	!10 MK069 PK056			E1119 <sup>1</sup>	23821	MK133 PK017	
	10.90→08.95		E4288 <sup>1</sup>	G16130	!10 MK069 PK056			E1119 <sup>1</sup>	23821		
	06.92→08.95		E4288 <sup>1</sup>	G16130	!10 MK069 PK056			E1119 <sup>1</sup>	23821		

!79

MK001, MK202, MK342, MK343, MK344, MK345, MK346, MK347 =

MK149, MK208, MK263R, MK264L, MK271, MK321, MK322, MK376 =

MK067, MK068, MK077, MK156, MK194, MK326, MK332, MK334R, MK335L, MK337, MK372 =

MC... =

MK... =

PK... =



<b>MONROE</b>	OESPECTRUM	REFLEX	ORIGINAL			OESPECTRUM	REFLEX	ORIGINAL		
	RIDESENSE	ADVENTURE				RIDESENSE	ADVENTURE	LEVELING		

**FELICIA**

1.3, 1.6, 1.9 D	10.94 → 08.01		E4711 <sup>1</sup>	16296	MK069 PK071			E1119 <sup>1</sup>	23821	MK133 PK017	
--------------------	---------------	--	--------------------	-------	----------------	--	--	--------------------	-------	----------------	--

**FELICIA**

1.3, 1.6, 1.9 D (+/-)	10.95 → 05.98		E4711 <sup>1</sup>	16296	MK069 PK071				R2702		
1.3, 1.6, 1.9 D (+/-)	05.98 → 04.02		E4711 <sup>1</sup>	16296	MK069 PK071				23933		

**KAROQ**

	07.17 →				MK411						
--	---------	--	--	--	-------	--	--	--	--	--	--

**KODIAQ**

	10.16 →				MK411						
--	---------	--	--	--	-------	--	--	--	--	--	--

**OCTAVIA (1U2)**

1.4, 1.6, 1.9 SDi (=) (4 x 2) (+)	09.96 → 06	742258SP	E4373 <sup>1</sup>	G16264	MK344 MK077 I79 PK076		376225SP	E1221 <sup>1</sup>	23890	MK118 PK078	
1.8, 1.8 Turbo, 2.0, 1.9 TDi (=) (4 x 2) (+)	09.96 → 06	742257SP	E4593 <sup>1</sup>	16731	MK344 MK077 I79 PK076		376225SP	E1221 <sup>1</sup>	23890	MK118 PK078	
 (=) (4 x 2) (+)	09.96 → 06	742256SP	E4858 <sup>1</sup>		MK344 MK077 I79 PK076		376229SP	E1212 <sup>1</sup>		MK118 PK078	
 (=) (4 x 4) (+) , (+)	07.98 → 01	742256SP	E4858 <sup>1</sup>		MK344 MK077 I79 PK076		376060SP	E1262 <sup>1</sup>		MK118 PK078	
 (=) (4 x 4)	08.00 → 03.10	742055SP	E4947 <sup>1</sup>		MK344 MK077 I79 PK076		376060SP	E1262 <sup>1</sup>		MK118 PK078	

**OCTAVIA (1U5)**

1.4, 1.6, 1.9 SDi (=) (4 x 2) (-)	07.98 → 06	742258SP	E4373 <sup>1</sup>	G16264	MK344 MK077 I79 PK076		376230SP	E1295 <sup>1</sup>	23925	MK118 PK078	
1.8, 1.8 Turbo, 2.0, 1.9 TDi (=) (4 x 2) (-)	07.98 → 06	742257SP	E4593 <sup>1</sup>	16731	MK344 MK077 I79 PK076		376230SP	E1295 <sup>1</sup>	23925	MK118 PK078	
 (=) (4 x 2) (+)	07.98 → 06	742256SP	E4858 <sup>1</sup>		MK344 MK077 I79 PK076		376229SP	E1212 <sup>1</sup>		MK118 PK078	
 (=) (4 x 4) (+) , (+)	07.98 → 01	742256SP	E4858 <sup>1</sup>		MK344 MK077 I79 PK076		376060SP	E1262 <sup>1</sup>		MK118 PK078	
 (=) (4 x 4)	08.00 → 05.06	742055SP	E4947 <sup>1</sup>		MK344 MK077 I79 PK076		376060SP	E1262 <sup>1</sup>		MK118 PK078	

**OCTAVIA (1Z3)**

 (+)	02.04 → 05.13	742244SP	E7029 <sup>1</sup>	G16496	I64 Ø 50mm (A) MK345 MK194 I79 PK163		376053SP	E1337 <sup>1</sup>	23979	I78 MK203 MK386 PK137 PK353	
		742242SP	E7031 <sup>1</sup>	16498	I64 Ø 55mm (B) MK345 MK194 I79 PK163						

MC... =	MK... =	PK... =
---------	---------	---------

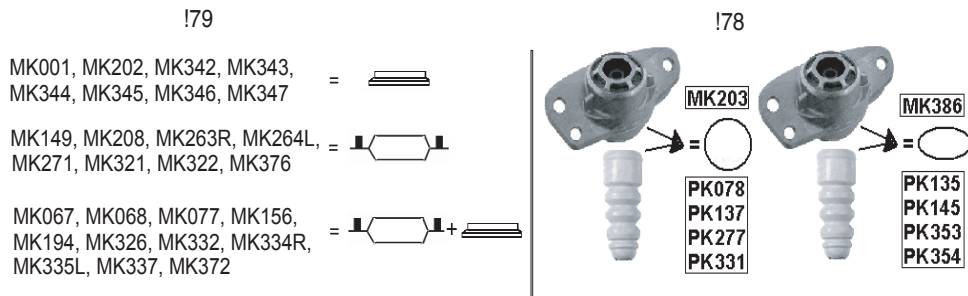




<b>MONROE</b>	OESPECTRUM	REFLEX	ORIGINAL			OESPECTRUM	REFLEX	ORIGINAL		
	RIDESENSE	ADVENTURE				RIDESENSE	ADVENTURE	LEVELING		

02.04 → 05.13	742246SP	E7056 <sup>1</sup>	G16495	!64 Ø 50mm (A) MK345 MK194 !79 PK163		376053SP	E1337 <sup>1</sup>	23979	!78 MK203 MK386 PK137 PK353		
	742245SP	E7057 <sup>1</sup>		!64 Ø 55mm (B) MK345 MK194 !79 PK163							
02.04 → 05.13	742243SP	E7028 <sup>1</sup>	G16495	!64 Ø 50mm (A) MK345 MK194 !79 PK163				23987	!78 MK203 MK386 PK137 PK353		
	742245SP	E7057 <sup>1</sup>		!64 Ø 55mm (B) MK345 MK194 !79 PK163							
2.0 RS	01.06 → 05.13	742245SP	E7057 <sup>1</sup>		!64 Ø 55mm (B) MK345 MK194 !79 PK163		376099SP	E1341 <sup>1</sup>	G2101	!78 MK203 MK386 PK137 PK353	

!78!/79

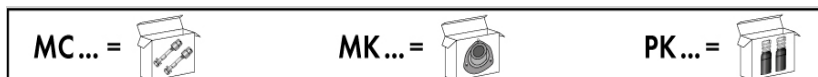


!64



OCTAVIA (1Z5)

02.04 → 03.13	742244SP	E7029 <sup>1</sup>	G16496	!64 Ø 50mm (A) MK345 MK194 PK163				23993	!78 MK203 MK386 PK137 PK353		
	742242SP	E7031 <sup>1</sup>		16498							!64 Ø 55mm (B) MK345 MK194 PK163
02.04 → 03.13	742246SP	E7056 <sup>1</sup>	G16495	!64 Ø 50mm (A) MK345 MK194 PK163				23993	!78 MK203 MK386 PK137 PK353		
	742245SP	E7057 <sup>1</sup>									!64 Ø 55mm (B) MK345 MK194 PK163
02.04 → 03.13	742243SP	E7028 <sup>1</sup>	G16495	!64 Ø 50mm (A) MK345 MK194 PK163				23987	!78 MK203 MK386 PK137 PK353		
	742245SP	E7057 <sup>1</sup>									!64 Ø 55mm (B) MK345 MK194 PK163
2.0 RS	10.05 → 02.13	742245SP	E7057 <sup>1</sup>		!64 Ø 55mm (B) MK345 MK194 PK163				23987	!78 MK203 MK386 PK137 PK353	



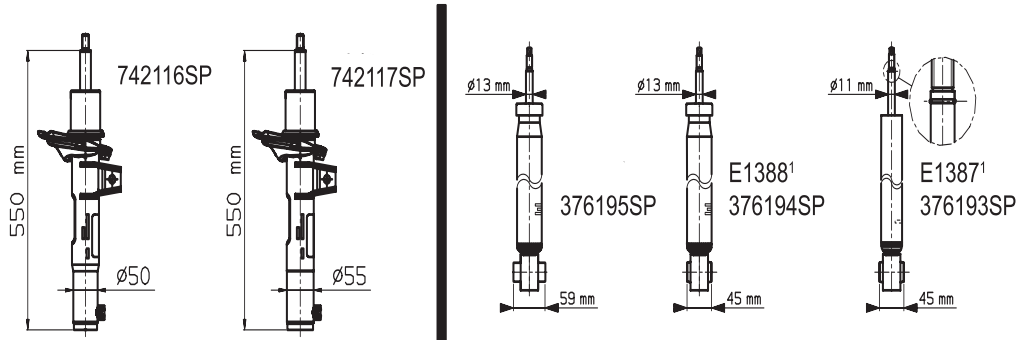


<b>MONROE</b>	OESPECTRUM	REFLEX	ORIGINAL			OESPECTRUM	REFLEX	ORIGINAL		
	RIDESENSE	ADVENTURE				RIDESENSE	ADVENTURE	LEVELING		

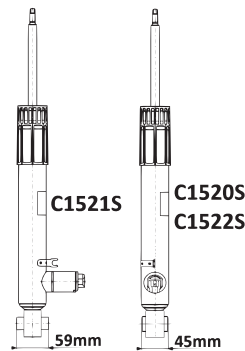
**OCTAVIA (5E3) (5E5), OCTAVIA SCOUT**

1.2 TSi, 1.4 TSi, 1.8 TSi, 1.6 TDi, 2.0 TDi 11.12→	742116SP			∅ 50 mm 186		376194SP	E1388 <sup>1</sup>			186	
	742117SP			∅ 55 mm 186		376195SP				194	
 (+) (+) (4 x 4) 11.12→	C2516S					C1520S					
	C2516S					C1521S					
 (+) (+) (4 x 4) 11.12→	C2516S					C1521S					

**186**



**194**



**RAPID, RAPID SPACEBACK**

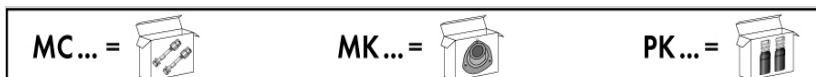
1.2 TSi, 1.2 MPi, 1.2 LPG, 1.4 Tsi, 1.6 MPi, 1.6 SRE, 1.4 TDi, 1.6 Tdi 07.12→	742036SP	E7091 <sup>1</sup>	G8109	MK344 MK077 179 PK076				G1239	MK118 PK078	
--	----------	--------------------	-------	--------------------------------	--	--	--	-------	----------------	--

**ROOMSTER**

1.2, 1.4, 1.6 05.06→ 05.15	742052SP	E4997 <sup>1</sup>		MK345 MK156 179 PK012		376229SP	E1212 <sup>1</sup>		MK118 PK078	
1.4 TDi, 1.9 TDi 03.06→ 05.15	742042SP	E4998 <sup>1</sup>		MK345 MK156 179 PK012		376229SP	E1212 <sup>1</sup>		MK118 PK078	

**SUPERB (3U4)**

2.0, 1.8 T, 2.8 V6, 1.9 TDi, 2.5 TDi (-) HD 12.01→ 04.08	376054SP	E2048 <sup>1</sup>	26663	MK190 PK088		376081SP	E5087 <sup>1</sup>	45007	MK187 PK101	
2.0, 1.8 T, 2.8 V6, 1.9 TDi, 2.5 TDi (+) HD 12.01→ 04.08	376044SP	E2049 <sup>1</sup>		MK190 PK088		376026SP	E1234 <sup>1</sup>		MK187 PK101	





	OESPECTRUM	REFLEX	ORIGINAL			OESPECTRUM	REFLEX	ORIGINAL		
	RIDESENSE	ADVENTURE				RIDESENSE	ADVENTURE	LEVELING		

### SUPERB (3T4, 3T5)

1.4, 1.8, 2.0, 1.6 D, 1.9 D, 2.0 D (=) (4 x 2) (=) (4 x 4) (+)	03.08 → 05.15	742242SP	E7031 <sup>1</sup>	16498	MK345 MK194 <b>!79</b> PK163		376082SP	E1357 <sup>1</sup>	G1057	MK203 PK137	
1.8, 3.6 V6, 2.0 D (=) (4 x 2) (=) (4 x 4) (+)	03.08 → 05.15	742247SP	E7030 <sup>1</sup>		MK345 MK194 <b>!79</b> PK163		376082SP	E1357 <sup>1</sup>	G1057	MK203 PK137	

**!79**

MK001, MK202, MK342, MK343, MK344, MK345, MK346, MK347 =   
 MK149, MK208, MK263R, MK264L, MK271, MK321, MK322, MK376 =   
 MK067, MK068, MK077, MK156, MK194, MK326, MK332, MK334R, MK335L, MK337, MK372 =

### SUPERB (3V3, 3V5)

1.4 TSi, 1.8 TFSi, 2.0 TFSi, 1.6 TDi, 2.0 TDi (-)	03.15 →	742269SP			MK411		376246SP				
 (+)	03.15 →	C2516S					C1521S				

### YETI

1.2, 1.4, 1.8, 1.6 TDi, 2.0 TDi (+)	05.09 → 12.17	742244SP	E7029 <sup>1</sup>	G16496	MK345 MK194 <b>!79</b> PK163		376053SP	E1337 <sup>1</sup>	23979	MK203 PK137	
1.2, 1.4, 1.8, 1.6 TDi, 2.0 TDi (+)	05.09 → 12.17	742243SP	E7028 <sup>1</sup>	G16495	MK345 MK194 <b>!79</b> PK163					MK203 PK137	

## SMART

### CITY-COUPÉ

0.6, 0.7, 0.8 (=) Type MC01, 451 (-) Brabus	07.98 → 12.01			G7085	MK344 MK396 PK349				G1080	PK350	
0.6, 0.7, 0.8 (=) Type MC01, 451 (-) Brabus	01.02 → 01.04			G7086	MK344 MK396 PK349				G1080	PK350	

### FORTWO COUPÉ, FORTWO CABRIO

0.7, 0.8 (-) Brabus Type 450	01.04 → 02.07			G7086	MK344 MK396 PK349				G1080	PK350	
0.7, 0.8 (-) Brabus Type 451	01.07 → 06.14			G7104	MK344 MK396 PK388				43133		
0.9, 1.0 Electric (-) Brabus Type C453, A453	07.14 →	742271SP					376242SP				

### FORFOUR MK I

1.1, 1.3, 1.5, 1.5 D Type W454 (-) (-) (-) Brabus	08.03 → 10.06			G7363 	MK366				G1099	PK304	
				G7364 							

MC... =	MK... =	PK... =
---------	---------	---------



	OESPECTRUM	REFLEX	ORIGINAL			OESPECTRUM	REFLEX	ORIGINAL		
	RIDESENSE	ADVENTURE				RIDESENSE	ADVENTURE	LEVELING		

**FORFOUR MK II**

	Type W453 (+/-) Electric (-) Brabus	07.14→	742271SP			MK418		376242SP				
--	---	--------	----------	--	--	-------	--	----------	--	--	--	--

**ROADSTER, ROADSTER COUPE**

0.7	Type W452 (+/-) Brabus	04.03→04.06			G7086	MK396				G1080		
-----	---------------------------	-------------	--	--	-------	-------	--	--	--	-------	--	--

**SSANG YONG**

**KORANDO** (4 x 4)

KJ		07.96→11.06		D7704					D7640			
----	--	-------------	--	-------	--	--	--	--	-------	--	--	--

**KYRON**

2.0 Xdi (=) (4 x 2) (-)		05.05→14		D1101					D9003			
2.0 Xdi (=) (4 x 2) (-)		05.05→14		D1101					D9004			
2.0 Xdi, 2.7 Xdi (=) (4 x 4) (-)		05.05→14		D7009					D9003			
2.0 Xdi, 2.7 Xdi (=) (4 x 4) (-)		05.05→14		D7009					D9004			

**MUSSO** (4 x 4)

	(+)  (+)	10.93→10.95		D8486					D8481			
		10.95→08.06										

**REXTON** (4 x 4)

3.2, 2.7 Xdi, 2.9 TD		04.02→08.06		D7009					D8021			
3.2, 2.7 Xdi, 2.9 TD		09.06→04.13		D7009								

**SUBARU**

**FORESTER (SF)**

2.0, 2.5		07.97→05.02		16483 		PK321					136 MK290R MK291L	
				16484 								

**FORESTER (SG)**

2.0, 2.0 Turbo (-)		06.02→01.03		G7501 					G8139 		MK292 PK320	
				G7502 					G8140 			

MC... =      MK... =      PK... =



	OESPECTRUM	REFLEX	ORIGINAL			OESPECTRUM	REFLEX	ORIGINAL		
	RIDESENSE	ADVENTURE				RIDESENSE	ADVENTURE	LEVELING		

2.0, 2.0 Turbo (-)	01.03 → 05.08			G7503 					G8139 	MK292 PK320	
				G7504 				G8140 			

**FORESTER (SH)**

2.0, 2.5, 2.0 Bifuel, 2.0TD, 2.5TD (-)	01.08 → 09.13	72678ST 							72695ST		
		72679ST 									

**IMPREZA (GFC, GC, GF)**

1.6, 1.8, 2.0 (=) (4 x 2) (+/-) (-) (-) GT Turbo	08.92 → 12.00			G16479 	MC114				G16698 	MC114 MK260	
				G16480 				G16699 			
1.6, 1.8, 2.0 (=) (4 x 4) (+/-) (-) GT-Turbo (-) (-) Outback	08.92 → 12.00			G16479 	MC114				G16701 	MC114 MK260	
				G16480 				G16702 			

**IMPREZA (GD)**

1.5, 1.6, 2.0, 2.0 Turbo WRX (-) WRX Sti	10.00 → 12.02	72158ST 							72162ST 		
		72159ST 							72163ST 		
1.6, 2.0, 2.0 Turbo WRX (-) WRX Sti	01.03 → 03.07	72427ST 							72416ST 		
		72428ST 							72417ST 		

**IMPREZA (GG)**

1.5, 1.6, 2.0, 2.0 Turbo WRX (-) WRX Sti	10.00 → 12.02	72410ST 							72414ST 		
		72411ST 							72415ST 		
1.5, 1.6, 2.0, 2.0 Turbo WRX (-) WRX Sti	01.03 → 03.07	72439ST 							72414ST 		
		72440ST 							72415ST 		

**IMPREZA OUTBACK SPORT**

	02 → 03	72410ST 							72414ST 		
		72411ST 							72415ST 		
	04 → 07	72439ST 							72414ST 		
		72440ST 							72415ST 		

MC... =      MK... =      PK... =

SUBARU



<b>MONROE</b>	OESPECTRUM	REFLEX	ORIGINAL			OESPECTRUM	REFLEX	ORIGINAL		
	RIDESENSE	ADVENTURE				RIDESENSE	ADVENTURE	LEVELING		

**JUSTY**

1.3	10.95 → 11.03			16164	MC212 PK054				16125		
1.3, 1.5	G3X 09.03 → 12.06			G9501 	MC212				G21658		
				G9502 							
1.0, 1.3	01.07 → 03.13			G9505					G1146		

**LEGACY I**

1.6, 1.8, 2.0, 2.2 (=) (4 x 2) (+/-)	1.89 → 6.91			16477 	MC114				G16696 	MC114	
				16478 					G16697 		
1.6, 1.8, 2.0, 2.2 (=) (4 x 2) (+/-)	7.91 → 12.93			16477 	MC114				G16698 	MC114	
				16478 					G16699 		
1.8, 2.0, 2.2 (=) (4 x 4) (+/-) (-)	1.89 → 6.91			16477 	MC114				G16703 	MC114	
				16478 					G16704 		
1.8, 2.0, 2.2 (=) (4 x 4) (+/-) (-)	7.91 → 12.93			16477 	MC114				G16701 	MC114	
				16478 					G16702 		

**LEGACY II**

2.0, 2.2 (=) (4 x 2) (+/-) (-)	01.94 → 09.98			G16479 	MC114				G16698 	MC114 MK258R MK259L	
				G16480 					G16699 		
2.0, 2.2 (=) (4 x 4) (+/-) (-)	01.94 → 05.96			G16479 	MC114				G16701 	MC114 MK258R MK259L	
				G16480 					G16702 		
2.2	06.96 → 09.98			G16479 	MC114		71612ST 			MK290R MK291L	
2.5 (-) Outback	06.96 → 09.98			G16480 				71613ST 			
2.5 Outback (+/-) (-)	95 → 99			16483 	PK321		71414ST 			MK290R MK291L	
				16484 				71415ST 			

**LEGACY III**

2.0, 2.5 (=) (4 x 4) (-) Outback	10.98 → 08.03			16491 	MC114		71354ST			MK289	
				16492 							

**LEGACY IV**

2.0, 2.5, 3.0 BL (-) Outback (-)	09.03 → 12.09			G8141 	PK322				G2131	MK289	
				G8142 							

MC... =      MK... =      PK... =



	OESPECTRUM	REFLEX	ORIGINAL			OESPECTRUM	REFLEX	ORIGINAL		
	RIDESENSE	ADVENTURE				RIDESENSE	ADVENTURE	LEVELING		

2.0, 2.5, 3.0 BP (=) Outback (-)	09.03 → 12.09			G8143 	PK322				G2132	MK289	
				G8144 							

**LEGACY V**

2.0i, 2.5i, 2.5GT, 2.0TDi (-)	09.09 → 12.14			G8246 					G1201		
				G8247 							

**L-SERIE, LEONE, LOYALE** (4 x 2)

 3  4	06.84 → 12.93								23356		
----------	---------------	--	--	--	--	--	--	--	-------	--	--

**OUTBACK**

	01.00 → 08.03			72242ST 							
				72243ST 							
2.5i, 3.6R, 2.0D,	09.09 → 12.15			G8248 					G1202		
				G8249 							

**XT**

XT, XT6 (-)	11.84 → 12.90								23356		
----------------	---------------	--	--	--	--	--	--	--	-------	--	--

**SUZUKI**

**ALTO**

0.8 (=)	SB 308	10.85 → 12.87			16181	MC212					
0.8 (=)	SB 308	01.88 → 02.94			16181	MC212			G21634		
1.0	SH 410	03.94 → 05.02			11292 	MC212			G21638	PK385	
					11293 						
1.1	RF 410	06.02 → 09.07			G7286 	MC212			G21641		
					G7287 						
	AMF 31	01.09 → 12.14			G9511 				G1246		
					G9512 						

**BALENO**

SY 413 1300 SY 415 1500 SY 416 1600 SY 418 1800 1.8 GT 1.9 TD (-)	03.95 → 05.02			E4336 <sup>1</sup> (E4336R E4337L)	G16238 	MC212			E4338 <sup>1</sup> (E4338R E4339L)	G16240 	MC212	
					G16239 							

MC... =      MK... =      PK... =



<b>MONROE</b>	OESPECTRUM	REFLEX	ORIGINAL			OESPECTRUM	REFLEX	ORIGINAL		
	RIDESENSE	ADVENTURE				RIDESENSE	ADVENTURE	LEVELING		

**BALENO**

<b>SY 413</b> 1300 <b>SY 416</b> 1600 (-)	07.96 → 05.02		E4336 <sup>1</sup> (E4336R E4337L)	<b>G16238</b> 	MC212			E4338 <sup>1</sup> (E4338R E4339L)	<b>G16240</b> 	MC212	
				<b>G16239</b> 							
<b>SY 418</b> 1800 <b>1.9 TD</b> (-)	07.96 → 05.02		E4336 <sup>1</sup> (E4336R E4337L)	<b>G16238</b> 	MC212						
				<b>G16239</b> 							

**CARRY**

<b>ST90V</b>	10.79 → 03.85								<b>V1077</b>		
<b>SK 408, SK 410</b> 	07.85 → 12.90			<b>V4001</b> 					<b>V1077</b>		
				<b>V4002</b> 							
<b>SK 408, SK 410</b> 	07.85 → 12.90			<b>V4001</b> 							
				<b>V4002</b> 							

**CELERIO**

	03.14 →			<b>G9513</b> 					<b>G1272</b>		
				<b>G9514</b> 							

**GRAND VITARA, GRAND ESCUDO (FT, GT)**

	03.98 → 12.05		<b>D0202</b> (D0202R D0203L)		<b>MK356</b>			<b>D7644</b>			
XL	07.01 → 08.06		<b>D0015</b> (D0015R D0016L)		<b>MK356</b>			<b>D7015</b>			

**GRAND VITARA, GRAND ESCUDO (JT)**

<b>1.6, 2.0, 2.4, 2.7, 1.9 D</b>	04.05 → 02.15		<b>D0029</b> (D0029R D0030L)		<b>PK324</b>			<b>D7020</b>			
----------------------------------	---------------	--	------------------------------------	--	--------------	--	--	--------------	--	--	--

**IGNIS (FH)**

<b>1.3</b> (=) (4 x 2)	RG 413/415	07.00 → 12.05							<b>G1093</b>		
<b>1.3</b> (=) (4 x 4)	RG 413/415	07.00 → 12.05							<b>G21658</b>		

**IGNIS II**

<b>1.3, 1.5</b> (-) 1.3 DDis		08.03 → 12.12		<b>G9501</b> 	MC212				<b>G21658</b>		
				<b>G9502</b> 						<b>G21658</b>	
<b>1.3 DDis</b>		09.03 → 12.12							<b>G21658</b>		

**JIMNY**

<b>LJ80, LJ80 Q, LJ80 V</b>		11.77 → 01.84		<b>D7029</b>							
-----------------------------	--	---------------	--	--------------	--	--	--	--	--	--	--

MC... = MK... = PK... =





	OESPECTRUM	REFLEX	ORIGINAL			OESPECTRUM	REFLEX	ORIGINAL		
	RIDESENSE	ADVENTURE				RIDESENSE	ADVENTURE	LEVELING		

SJ410, SJ413, SJ413-4, SJ413-5, SJ413-6, SJ413-7	09.81 → 08.90		D7029					D8443				
SJ413 Samurai (=)	09.84 → 12.04		D7029					D7014				
SN413 Jimny (=)	01.98 → 17		D7705					D7706				

**LIANA/AERIO**

1.3, 1.6 (-) 1.4 D (+) Stabilizer Bar	03.01 → 12.07	72467			MK340 PK323			72464ST				
		72466						72465ST				
1.4 D	04.04 → 08.06							72464ST				
								72465ST				

**SPLASH**

1.0, 1.2, 1.3 D	09.07 → 12.14		G7273		MK368 PK343				G1131		PK340	
			G7274									

**SWIFT I, II, III**

1.0, 1.3, 1.0 Turbo, 1.3 GXi, 1.3 GTi (=) (4 x 2) (=) ORIG (J)	10.83 → 09.88		10025		MC112							
1.0, 1.3 (=) (4 x 2)	03.89 → 07.92											
1.3 GTi ch.no. JSAE...S 00100001 → JSAE...S 00140000 (=) ORIG (J)	02.89 → 12.89		G16124		MC212 MK138 PK054			16125				
1.3 GTi ch.no. JSAE...S 00100001 → JSAE...S 00140275 (=) ORIG (J)	01.90 → 07.92											
1.3 (=) (4 x 4) (=) ORIG (J)	03.98 → 12.03											
1.0, 1.3 (=) (4 x 2) ch.no. JSAE...S 00140001 → (=) ORIG (J)	08.92 → 12.03		16164		MC212 MK138 PK054			16125				
1.0, 1.3 ch.no. TSM... → (=) ORIG (HO)	12.95 → 01.05											

**SWIFT II**

1.3 (=) (4 x 2) ch.no. JSAE... → (=) ORIG (J)	03.89 → 12.03											
1.6 ch.no. JSAE... → (=) ORIG (J)	03.89 → 12.03		16164		MC212 MK138 PK054			16125				
1.0, 1.3 ch.no. TSM... → (=) ORIG (HO)	12.95 → 01.05											

MC... =      MK... =      PK... =

SUZUKI



<b>MONROE</b>	OESPECTRUM	REFLEX	ORIGINAL			OESPECTRUM	REFLEX	ORIGINAL		
	RIDESENSE	ADVENTURE				RIDESENSE	ADVENTURE	LEVELING		

**SWIFT II**

1.3	09.91 → 10.96			16164	MC212 MK138 PK054				16125		
-----	---------------	--	--	-------	-------------------------	--	--	--	-------	--	--

**SWIFT IV**

1.3, 1.5, 1.6, 1.3 D (=) (4 x 2) (-) GTi	02.05 → 10.10			G7273 	MK369 PK343				G1131	PK340	
				G7274 							
1.3, 1.5 (=) (4 x 4)	02.05 → 10.10			G7342 					G1120		
				G7343 							

**SWIFT V**

1.2, 1.3D (-) (4 x 4)	10.10 → 17			G7451 	MK421				G1214		
				G7452 							

**SX4**

1.5, 1.6, 2.0, 1.3 D, 1.6 D, 1.9 D, 2.0 D (=) (4 x 2) (-) $\overline{\text{Ti}}$	06.06 → 12.15			G7509 	PK289				G1116		
				G7510 							
1.6, 1.9 D (=) (4 x 4)	06.06 → 12.15			G7511 	PK289				G1116		
				G7512 							

**VITARA/ESCUDO**

Vitara (=) 2	01.89 → 12.00			D0201		MK139			D7624		
Vitara (=) 4	11.90 → 12.00			D0201		MK139			D7633		

**WAGON R+**

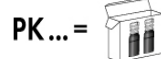
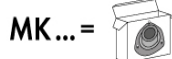
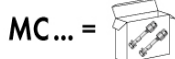
1.0, 1.2	07.97 → 07.00			11292 	MC212				G21641		
				11293 							
1.3, 1.3 DDiS	04.99 → 12.12			15062 	MK367 PK312				G21658		
				15063 							

**X-90**

1.6 16V	09.95 → 05.98			D0201		MK139			D7624		
---------	---------------	--	--	-------	--	-------	--	--	-------	--	--

**TALBOT CHRYSLER → CHRYSLER**

**TALBOT-CHRYSLER DODGE → CHRYSLER DODGE**





	OESPECTRUM	REFLEX	ORIGINAL			OESPECTRUM	REFLEX	ORIGINAL		
	RIDESENSE	ADVENTURE				RIDESENSE	ADVENTURE	LEVELING		

## TALBOT-CHRYSLER-SIMCA

### SAMBA

(-) Rally	01.81→01.86			11502	MC112 PK006							
-----------	-------------	--	--	-------	----------------	--	--	--	--	--	--	--

### TAGORA

	08.80→07.83			MR999					R5418			
--	-------------	--	--	-------	--	--	--	--	-------	--	--	--

## TALBOT COMMER → COMMER

## TALBOT HILLMAN → HILLMAN

## TALBOT HUMBER → HUMBER

## TALBOT SINGER → SINGER

## TALBOT SUNBEAM → SUNBEAM

## TOYOTA

### AURIS

1.3, 1.4, 1.6, 1.8, 1.4 D4d, 2.0 D4d (-) (-) (-) Hybrid	10.06→09.12			G8119	MC117 MK331 PK181				G1095		
				G8120							
2.2 D4d (-) (-)	10.06→09.12			G8119	MC117 PK181				G1097		
				G8120							
1.3 VVTi, 1.4 D4d (-)	10.12→			G8119					G1095		
				G8120							
1.3 VVTi, 1.6 VVTi, 1.8 Hybrid, 2.0 D4d, (+)	10.12→			G8119					G1097		
				G8120							

### AURIS TOURING SPORTS

1.3 VVTi, 1.4 D4d (-)	10.12→			G8119					G1095		
				G8120							
1.3 VVTi, 1.6 VVTi, 1.8 Hybrid, 2.0 D4d, (+)	10.12→			G8119					G1097		
				G8120							

MC... =	MK... =	PK... =
---------	---------	---------



<b>MONROE</b>	OESPECTRUM	REFLEX	ORIGINAL			OESPECTRUM	REFLEX	ORIGINAL		
	RIDESENSE	ADVENTURE				RIDESENSE	ADVENTURE	LEVELING		

**AVENSIS**

1.6, 1.8, 2.0, 2.0 TDiC, 2.0 D4d, 2.0 TD	10.97→02.03	742202SP 	E4877 <sup>1</sup> (E4877R E4878L)	16746 	MC115 MK241 PK079		742234SP 	E4989 <sup>1</sup> (E4989R E4990L)	16444 	MC115 PK023	
		742203SP 		16747 			742235SP 		16445 		
1.6, 1.8, 2.0, 2.4, 2.0 D4d, 2.2 D4d	03.03→10.08			G8091 	PK146				G2119		
				G8092 							
1.6, 1.8, 2.0, 2.0 D, 2.2 D	11.08→			G8228 			376134SP	E1370 <sup>1</sup>	G1175		
				G8229 							

**AVENSIS VERSO**

2.0, 2.0 D4d	05.01→07.05						376132SP	E1314 <sup>1</sup>			
-----------------	-------------	--	--	--	--	--	----------	--------------------	--	--	--

**AYGO**

1.0 VVT-i, 1.0 LPG, 1.4 D	07.05→05.14			G7019 	MK351 PK178				G1075	PK333	
				G7020 							
1.0, 1.2	05.14→										

**CAMRY**

1.8, 2.0, 2.5, 2.0 TD (=) (4 x 2)	10.86→06.91			MG233	PK024				MG234	MK240 PK023	
2.2, 3.0	06.91→08.96			G16660 	MC117 MK160				G16662 	MC115 MK176	
				G16661 					G16663 		
				MG256					MK176		
2.0, 3.0	08.96→08.01			16820 	MC117 MK168R MK169L				G16822 	MC115 MK223	
				16821 					G16823 		
2.0, 2.4, 3.0	08.01→07.03			71490 	MK224				71492 	MK223	
				71491 					71493 		
2.0, 2.4, 3.0 V30 Series	08.03→01.06			72205ST 					72207ST 		
				72206ST 					72208ST 		
2.4, 2.5 V40 Series (-) SE Models	02.06→09			72307ST 					72309ST 		
				72308ST 					72310ST 		
2.4, 2.5 V40 Series (+) SE Models	02→06.09			72307ST 					72384ST 		
				72308ST 					72385ST 		
2.4, 2.5 V40 Series (+) SE Models	10→09.11			72307ST 					72309ST 		
				72308ST 					72310ST 		
2.5, 3.5 V50 Series	09.11→			G8301 					G8303 		
				G8302 					G8304 		

MC... =      MK... =      PK... =



	OESPECTRUM	REFLEX	ORIGINAL			OESPECTRUM	REFLEX	ORIGINAL		
	RIDESENSE	ADVENTURE				RIDESENSE	ADVENTURE	LEVELING		

**CAMRY**

1.8, 2.0, 2.0 TD	10.86 → 03.92			MG233	PK024						
2.2, 3.0	03.92 → 08.96			G16660	MC117 MK160				G16662	MC115 MK176	
				G16661		G16663					

**CAMRY XV50**

Middle East	12 →			G8301					G8303		
				G8302		G8304					

**CARINA I, II, III**

1400 1600	TA10 TA12	12.70 → 09.75			MR935						
1600	TA14	10.75 → 07.77									
1600 1800	TA40 TA47	08.77 → 07.81									
1600 1800	TA60 TA62	08.81 → 09.83			MR935				42022		
1800 D	CA60	04.82 → 09.83									

**CARINA IV, V, CORONA**

1600	AT151	10.83 → 12.87			MG885	MK092 PK079					PK023	
1500, 1600	AT171	01.88 → 92			MG885	PK079			G16532	MC115 PK023		
									G16533			
1800, 2000	ST171	01.88 → 05.92			MG236	PK079			G16532	MC115 PK023		
									G16533			
1800 D, 2000 D	CT170											

**CARINA E, CARINA VI, CORONA** Ch. No. JT1... (J)

1600	AT190	02.92 → 01.96			G16608	MC115 PK079			E4446 <sup>1</sup> (E4446R E4447L)	G16596	MC115 PK023	
2000 (-) GTi 2.0 D	ST191 CT190	02.92 → 05.93		E4448 <sup>1</sup> (E4448R E4449L)	G16609					G16597		
2000 (-) GTi 2.0 D	ST191 CT190	05.93 → 01.96			MG236	PK079			E4446 <sup>1</sup> (E4446R E4447L)	G16596	MC115 PK023	
										G16597		
2000 GTi (-) HD	ST191	02.92 → 01.96		∅	∅				E4446 <sup>1</sup> (E4446R E4447L)	G16596	MC115 PK023	
									G16597			

MC... =      MK... =      PK... =

TOYOTA



	OESPECTRUM	REFLEX	ORIGINAL			OESPECTRUM	REFLEX	ORIGINAL		
	RIDESENSE	ADVENTURE				RIDESENSE	ADVENTURE	LEVELING		

**CARINA E, CARINA VI, CORONA Ch. No. JT1... (J)**

<b>1600</b>	AT190	02.92→01.96		E4448 <sup>1</sup> (E4448R E4449L)	G16608 	MC115 PK079				G16652 	MC115	
<b>2000</b> (-) GTi	ST191	02.92→05.93			G16609 					G16653 		
<b>2.0 D</b>	CT190											
(+)												
<b>2000</b> (-) GTi	ST191	05.93→01.96			MG236	PK079				G16652 	MC115	
<b>2.0 D</b>	CT190									G16653 		
(+)												

**CARINA E, CARINA VI, CORONA Ch. No. SB1... (GB)**

<b>1600</b>	AT190	12.92→01.96		E4448 <sup>1</sup> (E4448R E4449L)	G16608 	MC115 PK079				G16596 	MC115 PK023	
<b>2000</b> (-) GTi	ST191	12.92→12.94			G16609 					G16597 		
<b>2.0 D</b>	CT190											
(-)												
<b>2000</b> (-) GTi	ST191	12.92→12.94			MG236	PK079				G16596 	MC115 PK023	
<b>2.0 D</b>	CT190	08.93→12.94								G16597 		
Type 3 (-)												

**CARINA E, CARINA VI, CORONA Ch. No. SB1... (GB)**

<b>1600</b>	AT190	12.92→01.96		E4448 <sup>1</sup> (E4448R E4449L)	G16608 	MC115 PK079				G16652 	MC115	
<b>2000</b> (-) GTi	ST191	12.92→12.94			G16609 					G16653 		
<b>2.0 D</b>	CT190											
(+)												
<b>2000</b> (-) GTi	ST191	12.92→12.94			MG236	PK079				G16652 	MC115	
<b>2.0 D</b>	CT190	08.93→12.94								G16653 		
(+)	Type 3											

**CARINA E, CARINA VI, CORONA Ch. No. SB1... (GB)**

<b>1600</b>	AT190	01.96→06.98		E4448 <sup>1</sup> (E4448R E4449L)	G16608 	MC115 PK079				G16652 	MC115	
<b>1800</b>	AT191				G16609 					G16653 		
<b>2000</b> (-) GTi	ST191											
<b>2.0 D</b>	CT190											
<b>2000 TD</b>	CT190											

**CARINA E, CARINA VI, CORONA Ch. No. JT1... (J)**

<b>1600</b>	AT190	11.92→02.94		E4448 <sup>1</sup> (E4448R E4449L)	G16608 	MC115 PK079				G16652 	MC115	
					G16609 					G16653 		
<b>2000</b>	ST191	11.92→01.96										
<b>2.0 D</b>	CT190	11.92→02.94										

MC... =      MK... =      PK... =



	OESPECTRUM	REFLEX	ORIGINAL			OESPECTRUM	REFLEX	ORIGINAL		
	RIDESENSE	ADVENTURE				RIDESENSE	ADVENTURE			

1600 1800	AT190 AT191	02.94 → 01.96	E4448 <sup>1</sup> (E4448R E4449L)	G16608 	MC115 PK079		E4446 <sup>1</sup> (E4446R E4447L)	G16596 	MC115 PK023	
				G16609 				G16597 		
2.0 D	CT190	02.94 → 01.96		MG236	PK079		E4446 <sup>1</sup> (E4446R E4447L)	G16596 	MC115 PK023	
							G16597 			

**CARINA E, CORONA** Ch. No. SB1... (GB)

1600	AT190	05.95 → 06.98	E4448 <sup>1</sup> (E4448R E4449L)	G16608 	MC115 PK079			G16652 	MC115	
1800	AT191	01.96 → 06.98								
2000	ST191	05.95 → 06.98								
2000 D	CT190			G16609 				G16653 		
2000 TD	CT190	01.96 → 06.98								

**CELICA**

1600 2000 1600 2000	TA23 RA23 TA28 RA28	10.75 → 07.77		MR935						
1600 LT, ST (=)	TA60	08.77 → 07.81		MR935				42022		
1600 2000 (=) <sup>13</sup>	TA40 RA40	08.81 → 85								
1600 2000 (=) <sup>14</sup>	TA40 RA40	08.81 → 08.83						42022		
2000 XT, ST (=)	RA60	08.77 → 07.81								
2000 XT, ST	RA61	08.81 → 07.85								
2000 GT	RA63	08.81 → 08.83								
1600 GT, GTS AA63		08.83 → 07.85						G43017		
2000 GT, ST SA63		08.83 → 08.84								
2000 XT, ST (=)	RA65	08.84 → 07.85								
2800 Supra SPR MA61		12.81 → 05.83		MG201				G43017		
2800 Supra SPR MA61		06.83 → 12.85						G43017		
1600, 1800, 2000 AT160, ST162 (-) Turbo (4 x 4) AT165		08.87 → 09.89			MK170 PK026			G16532 	MC115 PK023	
							G16533 			
1600, 2000 AT180, ST182 (-) Turbo (4 x 4) ST185		10.89 → 94		MG244	MK170			G16568 	MC115 MK178	
							G16569 			

MC... =      MK... =      PK... =

TOYOTA

TOYOTA



MONROE			OESPECTRUM	REFLEX	ORIGINAL	i	C	OESPECTRUM	REFLEX	ORIGINAL	i	C
			RISESENSE	ADVENTURE				RISESENSE	ADVENTURE	LEVELING		
2000 Turbo (=) (4 x 4)	ST185	10.89 → 94			MG244							
1800	AT200	11.93 → 11.99			G16677	MC115 MK293			G16675	MC115 MK178		
2000 (-) Super Strut	ST202	11.93 → 08.99			G16678				G16676			
2000 (+) Super Strut	ST202	02.94 → 11.99		∅	∅				G16675	MC115 MK178		
								G16676				

CELICA

1.8	ZZT23#	08.99 → 03.06	72111ST			MK296				G2124	MK294		
			72112ST										

COASTER

RU 19, BU 19		02.72 → 07.77			V1002					V1012			
RB 13		08.80 → 04.82											
RB 10/11		08.77 → 08.80			R1000					V1012			
BB 10		08.77 → 04.82											

COROLLA MK II, MK III 3.72 → 7.81

1.2	KE30	08.74 → 07.81											
1.2	KE35												
1.2	KE50	03.76 → 08.79								G21582			
1.6	TE51												
1.6	TE31	03.75 → 04.80											
1.6	TE37												
1.3	KE55	05.78 → 07.81								42022			
1.6	TE27	03.72 → 03.74			MR935								

COROLLA MK IV 8.79 → 10.84

1.3	KE70	08.79 → 05.83			MR850								
1.6	AE71	05.83 → 10.84											

COROLLA MK V 5.83 → 5.87

1.3	AE80	05.83 → 05.87			MG885	MK092 PK026			G16214	MC212 PK023		
1.3	EE80										G16215	
1.6	AE82											
1.6 GT Twin Cam 16 V	AE82	10.84 → 05.87				MK092 PK026			G16214	MC212 PK023		
1.8 D	CE80	05.83 → 05.87							G16215			

MC... =      MK... =      PK... =





	OESPECTRUM	REFLEX	ORIGINAL			OESPECTRUM	REFLEX	ORIGINAL		
	RIDESENSE	ADVENTURE				RIDESENSE	ADVENTURE			

**COROLLA MK VI, MK VII 5.87 → 4.97**

1.3 1.6 (-) GTi	EE90 AE92	05.87 → 05.92	71857 71858		MG882	MC115 MK088 PK026		E4251 <sup>1</sup> (E4251R E4252L)	G16106 G16107	MC112 MK179R MK180L PK023	
1.8 D 1.8 D 1.6 GTi	CE90 CE92 AE92	05.87 → 05.92			MG236	MK088 PK026		E4251 <sup>1</sup> (E4251R E4252L)	G16106 G16107	MC112 MK179R MK180L PK023	
1.6 (=) (4 x 4)	AE95	10.87 → 05.92			MG242						
1.3 1.3 1.6	EE100 EE101 AE101	05.92 → 04.97	744068SP 744069SP	E4276 <sup>1</sup> (E4276R E4277L)	G16175 G16176	MC115 MK088 PK026		E4273 <sup>1</sup> (E4273R E4274L)	G16177 G16178	MC112 MK179R MK180L PK023	
2.0 D	CE100	05.92 → 04.97		E4489 <sup>1</sup> (E4489R E4490L)	G16645 G16646	MC115 MK088 PK026		E4273 <sup>1</sup> (E4273R E4274L)	G16177 G16178	MC112 MK179R MK180L PK023	

**COROLLA MK VIII 4.97 → 10.01**

1.3 (-) HD	EE110	04.97 → 10.01	744068SP 744069SP	E4276 <sup>1</sup> (E4276R E4277L)	G16175 G16176	MC115 MK088 PK026			G16267 G16268	MC212 MK179R MK180L PK112	
1.3 1.6 1.4 1.6 (-) HD	EE111 AE111 ZZE111 ZZE112	04.97 → 10.01	744068SP 744069SP	E4276 <sup>1</sup> (E4276R E4277L)	G16175 G16176	MC115 MK088 PK026		E4378 <sup>1</sup> (E4378R E4379L)	G16269 G16270	MC212 MK179R MK180L PK112	
2.0 D 2.0 D	CE110 CE111	04.97 → 10.01		E4489 <sup>1</sup> (E4489R E4490L)	G16645 G16646	MC115 MK088 PK111		E4378 <sup>1</sup> (E4378R E4379L)	G16269 G16270	MC212 MK179R MK180L PK112	
1.9 D (-) HD	WZE110	12.98 → 10.01									

**COROLLA MK VIII 4.97 → 10.01**

1.3 1.3 3 , 5 (-) HD	EE110 EE111	04.97 → 10.99	744068SP 744069SP	E4276 <sup>1</sup> (E4276R E4277L)	G16175 G16176	MC115 MK088 PK026			G16267 G16268	MC112 MK179R MK180L PK112	
1.6 3 , 5 (-) HD	AE111	04.97 → 10.99	744068SP		G16175			744070SP	G16269		
1.4 1.6 3 (-) 6G (6 Speed) (-) HD	ZZE111 ZZE112	10.99 → 10.01	744069SP	E4276 <sup>1</sup> (E4276R E4277L)	G16176	MC115 MK088 PK026		744071SP	G16270	MC112 MK179R MK180L PK112	
1.4 1.6 6G (6 Speed)	ZZE111 ZZE112	10.99 → 10.01			G16645			744070SP	G16269		
1.9 D	WZE110	12.98 → 10.01		E4489 <sup>1</sup> (E4489R E4490L)	G16646	MC115 PK111		E4378 <sup>1</sup> (E4378R E4379L)	G16270	MC112 MK179R MK180L PK112	
2.0 D 2.0 D 3 , 5 (-) HD	CE110 CE111	04.97 → 10.01						744071SP			

MC... =      MK... =      PK... =

TOYOTA



<b>MONROE</b>	OESPECTRUM	REFLEX	ORIGINAL			OESPECTRUM	REFLEX	ORIGINAL		
	RIDESENSE	ADVENTURE				RIDESENSE	ADVENTURE	LEVELING		

**COROLLA MK IX 10.01 → 10.06**

1.3, 1.4, 1.5, 1.8, 1.4 D, 2.0 D, 2.2 D 1.6 Terra ZZE121L- (+) , (+)	10.01 → 10.06	742238SP 	E7008 <sup>1</sup> (E7008R E7009L)	16464 	MK296 PK113		376179SP	E1312 <sup>1</sup>	G21660	MK294 PK326	
1.6 Sol ZZE121L- (+)											
1.6 <b>I41</b> ZZE121R- (+) ch.no. JT... → (=) ORIG	05.04 → 10.06	742239SP 		16465 							
1.6 Sol ZZE121L- (+) ch.no. JT... → (=) ORIG (+)	10.01 → 10.06	742238SP 	E7008 <sup>1</sup> (E7008R E7009L)	16464 	MK296 PK113					MK294 PK326	
		742239SP 									
1.3, 1.4, 1.5, 1.6, 1.8, 1.4 D, 2.0 D, 2.2 D (+) ch.no. NM... → (=) ORIG	01.02 → 10.06	742150SP 	E7010 <sup>1</sup> (E7010R E7011L)	16466 	MK296 PK113		376179SP	E1312 <sup>1</sup>	G21660	MK294 PK326	
		742151SP 									

**COROLLA MK IX 11.01 → 05.07**

1.4, 1.5, 1.6, 1.4 D, 2.0 D 1.8 T Sport ZZE123- (+) ch.no. SB... → (=) ORIG	11.01 → 02.07 11.01 → 05.04	742150SP 	E7010 <sup>1</sup> (E7010R E7011L)	16466 	MK296 PK113		376179SP	E1312 <sup>1</sup>	G21660	MK294 PK326	
		742151SP 									
1.4, 1.5, 1.6, 1.8, 1.4 D, 2.0 D (+) ch.no. JT... → (=) ORIG	09.02 → 02.07	742238SP 	E7008 <sup>1</sup> (E7008R E7009L)	16464 	MK296 PK113		376179SP	E1312 <sup>1</sup>	G21660	MK294 PK326	
		742239SP 									
1.8 T Sport ZZE123- (+) ch.no. SB... → (=) ORIG	05.04 → 05.07				MK296 PK325					MK294 PK326	

**COROLLA MK X, MK XI 11.6 → 2018**

1.4, 1.6, 2.0, 1.4 D #E15# (-) (-)	10.06 → 07.14			G8119 	MC117 MK331 PK146				G1095		
				G8120 							
1.3, 1.6, 1.8, 1.4 D #E 18#	06.13 → .18			G8119 					G1095		
 E170 (+) Middle East	06.13 → .18			G8309 			72599ST				
				G8310 							

**COROLLA MK III → MK X 08.74 → 10.07**

1.2 KE36V	08.74 → 09.79								R3216		
1.3 KE70	08.79 → 05.83				MR850				42022		

MC... =      MK... =      PK... =





<b>MONROE</b>	OESPECTRUM	REFLEX	ORIGINAL			OESPECTRUM	REFLEX	ORIGINAL		
	RIDESENSE	ADVENTURE				RIDESENSE	ADVENTURE	LEVELING		

**COROLLA VERSO** 10.01 → 03.09

1.4, 1.5, 1.6, 1.8, 2.0 D, 2.2 D #E12#	08.01 → 02.04	742238SP 	E7008 <sup>1</sup> (E7008R E7009L)	16464 	MK296 PK113		376179SP	E1312 <sup>1</sup>	G21660	MK294 PK327	
		742239SP 		16465 							
1.6, 1.8, 2.0 D, 2.2 D #R10, R11	02.04 → 02.09			G8121 	MC117 PK325				G2126		
				G8122 							

**CORONA MK I**

1500	RT40	09.64 → 01.70									
1500	RT80	02.70 → 01.71									
1600	RT51	65 → 68									
1600	RT81	02.71 → 07.73									
1600	RT82	02.70 → 01.71						G21582			
1900	RT83	02.71 → 04.72									
1700	RT84	02.71 → 07.73									
1700	RT94	09.70 → 07.73									
2000 2000	RT85 RT95	05.72 → 07.73									
1600 1800 1900 2000 1800 1800 D	RT130, TT133 TT132 XT130 RT132, RT133 RT/ST140 Ser. CT140	09.78 → 12.81							42022		
(=) <sup>13</sup> , (=) <sup>14</sup>											
1600 1800 2000	RT/TT140 Ser. RT/TT140 Ser. RT/TT140 Ser.	01.82 → 12.86							G43017		
(=) <sup>14</sup>											

**CORONA MK I**

1600	RT116	08.73 → 08.78									
1800	RT117	08.73 → 09.75							R1000		
2000	RT118	09.74 → 08.78									
1600 1800 2000	RT130, TT133 TT132 RT132, XT130	09.78 → 12.81							G21582		
1600 1800	CT/TT140 Ser. CT/TT140 Ser.	01.82 → 12.86									

**CORONA MK II**

2000	RX12/-22, MX10	01.72 → 11.76									
2300	MX12, MX22	01.72 → 08.74							G21582		
2600	MX13, MX23	08.74 → 11.76									

**CORONA MK II**

1600	RT76	01.70 → 09.86									
1700	RT77	02.70 → 12.71									
2000	RT28	01.72 → 11.76							R1000		
2300	MX28	08.73 → 08.74									

MC... =      MK... =      PK... =



	OESPECTRUM	REFLEX	ORIGINAL			OESPECTRUM	REFLEX	ORIGINAL		
	RIDESENSE	ADVENTURE				RIDESENSE	ADVENTURE	LEVELING		

## CRESSIDA

1800	TX30	01.80→08.80								
2000	RX30	12.76→08.80						G43017		OH
2600	MX32									
1800	TX62	07.81→08.82								
2000	RX60	09.80→08.82			MG991			G43017		OH
2200 D	LX60									
2800	MX62									
(=)										
1800	TX62	12.83→07.84								
2000	RX60, GX60,				MG201			G43017		OH
2200 D	GX61									
	LX60									
2800	MX63	09.82→07.84								
(=)										
2000 24V	GX71	08.84→08.86								
2800	MX73				MG201					OH
2400 D, TD	LX70, LX71									
(=)										

## CRESSIDA

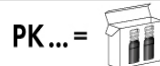
2000	RX35									
2600	MX36	12.76→08.80						G21582		OH
2000	RX60, RX62	09.80→08.82								
2800	MX62				MG991			42022		OH
2200 D	LX60									
(=)										
2000	RX60, RX62	09.82→07.84								
2800	MX62									
2800	MX72	08.84→08.86								
2200 D	LX60	09.82→07.84			MG201			42022		OH
2400 TD	LX70	08.84→08.86								
(=)										

## CROWN

1900	RS41	65→67								
2000	MS41		5801ST					R1101		OH
2300	MS45									
2000	RS110	09.79→07.83								
2600	MS111	09.79→08.80						G21582		OH
2800	MS112	09.79→07.83								
2200 D	LS110									
2000	YS120	08.83→08.87								
2800	MS122							G21582		OH
2500 D	LS120									
(=)										

## DYNA/HI-ACE 100

YH 81, LH 80		08.85→05.95			V1042					OH
--------------	--	-------------	--	--	-------	--	--	--	--	----





<b>MONROE</b>	OESPECTRUM	REFLEX	ORIGINAL			OESPECTRUM	REFLEX	ORIGINAL		
	RIDESENSE	ADVENTURE				RIDESENSE	ADVENTURE	LEVELING		

**DYNA 200, 250, 300, 350, 400**

RU 10/12/15 JU 10/12/15	02.69→07.77			V1002		010			R1000		010
BU 10/12/15	02.72→07.77										
RU 10 H, RU 15 H JU 10 H, JU 15 H	02.69→07.77			V1002		010			V1012		010
BU 10 H, BU 15 H	02.72→07.77										
HU 15 H	02.72→07.77			R1000		010			V1012		010
RU 20/30 JU 20	08.77→08.84 08.77→04.79										
BU 20/30 HU 30	08.77→11.84 08.77→04.81								V1012		010
BU 35/36 HU 50	08.80→08.84 04.82→08.84										

**FORTUNER**

2.7 VVTi, 4.0 VVTi, 2.5 D4d, 3.0 D	06.04→12.15		D8065			010		M8067			010
---------------------------------------	-------------	--	-------	--	--	-----	--	-------	--	--	-----

**HI-ACE**

LH 10, RH 10 Series	10.67→01.77										
LH 20, LH 30, LH 40 Series RH 20, RH 30, RH 40 Series (-) RH 22/RH 24	02.77→11.82			V1038		010			V1122		010
RH 22	02.77→11.82			V1038		010					
LH 50, LH 60, LH 70 Series YH 50, YH 60, YH 70 Series	12.82→01.84					010			V1002		010
YH 56, YH 66 LH 56, LH 66 (=) (4 x 4)	08.86→08.89			V1100		010					010
LH 102, LH 112 RZH 102, RZH 103, RZH 112 RZH 113, RZH 115 (=) (4 x 2)	08.89→95			V1108		010			V1098		010
LH 108, LH 118 RZH 109, RZH 119 (=) (4 x 4)	08.89→95			V1100		010			V1099		010
LXH 12, LXH 22 RCH 12, RCH 13, RCH 22, RCH 23 (=) (4 x 2)	08.95→10.99			V1125		010			V1140		010
LXH 18, LXH 28 RCH 18, RCH 19, RCH 28, RCH 29 (=) (4 x 4)	08.95→07.99			V1126		010			V1141		010
KLH 12, KLH 22 LXH 12, LXH 22 RCH 13, RCH 19, RCH 23 (=) (4 x 2)	10.99→08.06			V1125		010			V1171		010
KLH 18, KLH 28 LXH 18, LXH 28 RCH 18, RCH 28 (=) (4 x 4)	07.99→08.06			V1126		010			V1171		010

MC... = MK... = PK... =



	OESPECTRUM	REFLEX	ORIGINAL			OESPECTRUM	REFLEX	ORIGINAL		
	RIDESENSE	ADVENTURE				RIDESENSE	ADVENTURE	LEVELING		

**HI-ACE/DYNA 100**

YH 81, LH 80	08.85 → 05.99		V1042							
--------------	---------------	--	-------	--	--	--	--	--	--	--

**HI-LUX**

RN 10/13/15/16	3.68 → 4.72									
RN 20/22/25/27	5.72 → 7.78		D2653							
(=) (4 x 2)										
RN 30/31	8.78 → 3.84									
LN 30	9.79 → 3.84									
RN 40/41	8.78 → 3.84		D2653					R1000		OIO
LN 40	9.79 → 3.84									
(=) (4 x 2)										
LN 36/46	3.81 → 3.84									
RN 36/46	1.79 → 3.84		D8454					D8328		OIO
(=) (4 x 4)										
YN 50/51/52/55 YN 56/57/58 LN 50/51/55/56 RN 50/55	8.83 → 7.98		D2653					D7606		OIO
(=) (4 x 2)										
YN 60/62/65/67 LN 60/65	8.83 → 7.98		D8454					D4445		OIO
(=) (4 x 4)										
(=)										
YN 85/90 LN 85/90	8.88 → 2.97		D8468					D8004		OIO
(=) (4 x 2)										
YN 106 LN 105	8.88 → 8.97		D5467					D8466		OIO
(=) (4 x 4)										
YN 110 LN 110, LN 108 RN 110/106	8.88 → 8.97		D6432					D8467		OIO
(=) (4 x 4)										
LN 145, LN 150 (=) (4 x 2)	8.97 → 05		D8468					D8328		OIO
LN 165, LN 170 RZN 168, RZN 173	8.97 → 05		D6432					D8488		OIO
(=) (4 x 4)										
KUN 15 (=) (4 x 2)	07.05 → 05.15		D9001 (D9001R D9002L)					D8064		OIO
KUN 25 (=) (4 x 4)	07.05 → 05.15		D8065					D8488		OIO

**INNOVA**

2.0 VVTi, 2.7 VVTi, 2.5 D4d	04.04 → 10.15		D9001 (D9001R D9002L)					G2517		
--------------------------------	---------------	--	-----------------------------	--	--	--	--	-------	--	--

MC... =      MK... =      PK... =

TOYOTA



<b>MONROE</b>	OESPECTRUM	REFLEX	ORIGINAL			OESPECTRUM	REFLEX	ORIGINAL		
	RIDESENSE	ADVENTURE				RIDESENSE	ADVENTURE	LEVELING		

**LAND CRUISER**

FJ 40/43/45 Series	3.69 → 4.86									
FJ 42 Series	3.69 → 3.72									
HJ 45 Series	4.72 → 7.80		D8440					D8004		0/0
BJ 40/43 Series	2.74 → 10.84									0/0
HJ 47 Series	8.80 → 6.85									
BJ 42/45/46 Series	8.80 → 10.84									
HJ 60/61, BJ 60, FJ 60/62 WGG Body Wagon (= Model #J6## G-...)	08.80 → 10.85		D4432					D8004		0/0
HJ 60/61, BJ 60, FJ 60/62 WGV Body Van (= Model #J6## V-...)	08.80 → 10.85		D4434					D8004		0/0
HJ 60/61	08.87 → 12.89									
HJ 60/61, BJ 60, FJ 60/62 WGG Body Wagon (= Model #J6## G-...)	10.85 → 8.87		D4432					D4426		0/0
HJ 60/61, BJ 60, FJ 60/62 WGV Body Van (= Model #J6## V-...)	10.85 → 8.87		D4434					D4426		0/0
BJ 70/71/73 (=)	11.84 → 12.89		D4434					D4445		0/0
BJ 75, HJ 75 (=)	11.84 → 12.89		D4434					D8409		0/0
LJ 70/73, RJ 70/73 (=)	11.84 → 12.89		D4435					D6404 (D6404R D6426L)		
LJ 70/73/77, RJ 70/73 (=)	01.90 → 05.93		D6434					D6435		0/0
LJ 70/73 RJ 70 Series KZJ 70 Series (=)	05.93 → 4.96		D6438					D6439		0/0
HZJ 75, PZJ 75	01.90 → 8.99							D8009		0/0
HZJ 71, HZJ 74, HZJ 79	08.99 → 8.01		D8016							0/0
HZJ 78	08.99 → 8.01		D8016					D8008		0/0
FJ 80 FZJ 80, HDJ 80, HZJ 80 (=)	01.90 → 01.98		D4473					D8433		0/0
KZJ 90, VZJ 90	04.96 → 08.02		D8344					D8343		0/0
KZJ 95, VZJ 95	04.96 → 08.02		D8345					D8343		0/0
HDJ 100, UZJ 100	01.98 → 07.08		D8022					D8023	136	0/0
KDJ 120, KDJ 125 (-)	09.02 → 02.10		D8024					D8019		0/0
UZJ 200, VDJ 200, URJ 202 (-)	6.07 →		D9012					D9013		0/0
GRJ 15_, KDJ 15_, TRJ 15_ Prado	08.09 →		D9016					D9014		0/0

**LITE-ACE**

KM 10, KM 11 Series	05.71 → 09.79		V1063					R1000		0/0
---------------------	---------------	--	-------	--	--	--	--	-------	--	-----

MC... =      MK... =      PK... =





	OESPECTRUM	REFLEX	ORIGINAL			OESPECTRUM	REFLEX	ORIGINAL		
	RIDESENSE	ADVENTURE				RIDESENSE	ADVENTURE	LEVELING		

<b>KM 20, CM 20 Series</b> (=)	10.79 → 10.85			<b>V1038</b>					<b>V1002</b>		
<b>KM 20, CM 20 Series</b> (=)	10.79 → 10.85			<b>V1038</b>					<b>V1122</b>		
<b>KM 36, CM 35</b>	11.85 → 08.88										
<b>KM 36, CM 36</b> (=)	08.88 → 01.92								<b>V2504</b>		
<b>CR 21, KR 21, YR 22</b> (=)	01.92 → 01.98			<b>V1111</b>							
<b>CR 27, KR 27, YR 29</b> (=)	01.92 → 01.95			<b>V1111</b>					<b>V1122</b>		

**MR2**

<b>1.8 VVTi</b>	10.99 → 06.07							<b>72502ST</b> 			
								<b>72503ST</b> 			

**PASEO**

<b>1500</b> EL54	08.95 → 12.99			<b>G16253</b> 	MC115				<b>23853</b>	
				<b>G16254</b> 						

**PICNIC**

	08.96 → 12.01			<b>G16732</b> 	MC115				<b>23884</b>	
				<b>G16733</b> 						

**PREVIA**

<b>TCR 10, 20</b> (=)	01.90 → 08.00		E4537 <sup>1</sup> (E4537R E4538L)	<b>11592</b> 	MC117 MK161 PK121				<b>23314</b>	
				<b>11593</b> 						
<b>TCR 11, 21</b> (=)	01.90 → 08.00		E4537 <sup>1</sup> (E4537R E4538L)	<b>11592</b> 	MC117 MK161 PK121				<b>G22691</b>	
				<b>11593</b> 						
<b>2.4 16V, 3.0 V6</b>	02.00 → 12.05	<b>72128ST</b> 	E7004 <sup>1</sup> (E7004R E7005L)		MC117		<b>376199SP</b>			
<b>2.0 D4d</b> (=) (4 x 2)	02.01 → 12.05	<b>72129ST</b> 								

MC... =      MK... =      PK... =



<b>MONROE</b>	OESPECTRUM	REFLEX	ORIGINAL			OESPECTRUM	REFLEX	ORIGINAL		
	RIDESENSE	ADVENTURE				RIDESENSE	ADVENTURE	LEVELING		

**PRIUS**

1.5 Hybride NHW11 XW10	05.00 → 08.03			G7505 	MK295 PK328				G1126	
				G7506 						
1.5 Hybride NHW20 XW20	09.03 → 03.09			G7507 	MK296 PK113				G2123	
				G7508 						
1.8 Hybride ZVW30 ZVW35 (+) HD	03.09 →			G8250 					G1095	
				G8251 						

**RAV4 I**

SXA 10, SXA 11 (-) 235/60 R 16"	04.94 → 01.98			D0801		MK171			D7694		
SXA 10, SXA 11 (-) 235/60 R 16"	04.94 → 4.00			D0009 (D0009R D0010L)		MK171			D7694		

**RAV4 II**

ACA 20, ACA 21, ZCA 25, ZCA 26	05.00 → 11.05			D0011 (D0011R D0012L)		MC115 MK171 PK386			D7694		
-----------------------------------	---------------	--	--	-----------------------------	--	-------------------------	--	--	-------	--	--

**RAV4 III, IV**

2.0, 2.5, 2.2 D	12.05 → 06.13			G8117 	MK404				G2125	
				G8118 						
2.0 VVTi, 2.5 VVTi, 2.5 Hybrid, 2.0 D4d, 2.2 D4d Type: ##A4#	12.12 →									

**4RUNNER**

RN 61	12.87 → 03.89			D6432					D4426		
LN 130, VZN 130	08.89 → 10.95			D6432					D4432		

**SIENNA**

 (-) 8 Passenger Models	01.03 → 11.09			72236ST 							
				72237ST 							

**STARLET**

1000	KP60	02.78 → 10.84									
1200	KP62	07.78 → 10.84			MR837						
1300	KP61	08.81 → 09.84									
1000 1300	EP70 EP71	10.84 → 12.89									
1300i Turbo 1500 D	EP71 NP70, NR70	12.86 → 12.89							23312		

MC... =      MK... =      PK... =



	OESPECTRUM	REFLEX	ORIGINAL			OESPECTRUM	REFLEX	ORIGINAL		
	RIDESENSE	ADVENTURE				RIDESENSE	ADVENTURE	LEVELING		

1000 EP80 1300, 1300i EP81, EP82 1500 D NP80	12.89 → 04.94			G16161	MC115 PK054				23313	
				G16162						
1300i Turbo EP81	12.89 → 04.94			G16161	MC115 PK054					
				G16162						
1000 EP80 1300, 1300i EP81, EP82 1300i Turbo EP81 1500 D NP80	05.94 → 03.96			G16161	MC115 PK054				23315	
				G16162						
1300 EP91	03.96 → 07.99			G16251	MC115 PK054				23853	
				G16252						

**STARLET**

1000 KP60V	10.78 → 09.84									
1200 KP62V	10.78 → 08.82			MR837					42022	
1300 KP61V	08.82 → 09.84									

**STOUT MKII**

RK 45/47/100/101	01.60 → 02.79								R1000	
RK 40/40V/43	09.63 → 12.69			V1063					R1000	

**URBAN CRUISER** 5

1.3, 1.4 D (-) (4 x 4)	01.09 → 03.16			G7294	MK387				5624ST	
				G7295						
1.4 D (+) (4 x 4)	01.09 → 03.16			G8252					G1203	
				G8253						

**VERSO III**

1.6 VVTi, 1.8 VVTi, 2.0 D-4d, 2.2 D4d	04.09 → .18			G8230					G2184	
				G8231						

**VERSO S**

1.3 VVTi, 1.8 VVTi, 1.4 D	11.10 → 12.15			G7294					5624ST	
				G7295						

**YARIS/VERSO**

1.3, 1.5, 1.4 D4d (-)	08.99 → 09.05	742099SP			MK272 PK133			376140SP	E1296 <sup>1</sup>		PK147	
-----------------------------	---------------	----------	--	--	----------------	--	--	----------	--------------------	--	-------	--

MC... =      MK... =      PK... =

TOYOTA

TOYOTA



	OESPECTRUM	REFLEX	ORIGINAL			OESPECTRUM	REFLEX	ORIGINAL		
	RIDESENSE	ADVENTURE				RIDESENSE	ADVENTURE	LEVELING		

**YARIS/VIOS (XP150)**

	Asia	04.13→			G7480	MK272 PK133				G1250		
--	------	--------	--	--	-------	----------------	--	--	--	-------	--	--

**YARIS/VITZ**

1.0 16V, 1.3 16V, 1.4 TD (-)	01.99→12.05				G16289	MK272 PK133				23910	PK147	
1.5 T-Sport	03.00→10.95	742099SP				MK272 PK138		376153SP	E1287 <sup>1</sup>		PK147	
1.0, 1.3, 1.5, 1.6, 1.8, 1.4 D	08.05→ .13				G7294 	MK387 PK351				G1074	PK333	
					G7295 							

**TRIUMPH**

Herald 12/50, 13/60 	63→ 71											
Vitesse 2 	62→ 68											
Spitfire MK I, MK II, MK III, MK IV, 1500 	62→ 80				R3300					R1543		
GT 6 MK III 	73→ 74											
Vitesse 2 	69→ 72											
GT 6 MK II, MK III 	69→ 73				R3300							

**VAUXHALL → OPEL, VAUXHALL**

**VAZ → LADA**

**VOLGA - GAZ**

M21, M24, 3102, 31029 	62→09.04				23459					23460		
---------------------------	----------	--	--	--	-------	--	--	--	--	-------	--	--

**VOLKSWAGEN**

**AMAROK**

2.0 TFSi, 2.0 TDi (+)	09.10→				D0044					D9015		
-----------------------------	--------	--	--	--	-------	--	--	--	--	-------	--	--

MC... =      MK... =      PK... =



<b>MONROE</b>	OESPECTRUM	REFLEX	ORIGINAL			OESPECTRUM	REFLEX	ORIGINAL		
	RIDESENSE	ADVENTURE				RIDESENSE	ADVENTURE	LEVELING		

### ARTEON

1.5 TSi, 2.0 TSi, 2.0 TDi (-)	04.17 →				MK411						
1.5 TSi, 2.0 TSi, 2.0 TDi (+)	04.17 →	C2516S					C1521S				

### BEETLE, BEETLE 1300, 1302, 1303

◀ Type I											
----------	--	--	--	--	--	--	--	--	--	--	--

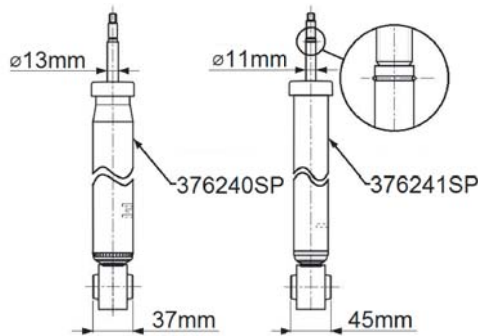
### BEETLE (Mod. '98)

◀ New Beetle, New Beetle Cabriolet											
------------------------------------	--	--	--	--	--	--	--	--	--	--	--

### BEETLE (Mod. 2011)

	04.11 →	742244SP		G16496	I64 Ø 50mm (A) MK194		376241SP			I90 Ø 11mm	
		742264SP			I64 Ø 55mm (B) MK345		376240SP			I90 Ø 13mm	

I90



I64



### BORA

1.4, 1.6 (+)	10.97 → 05.05	742258SP	E4373 <sup>1</sup>	G16264	MK344 MK077 I79 PK076		376225SP	E1221 <sup>1</sup>	23890	MK118 PK078	
(-) 4-Motion											
1.8, 1.8 Turbo GTi, 2.0, 2.3, 1.9 SDi, 1.9 TDi (+)	10.97 → 05.05	742257SP	E4593 <sup>1</sup>	16731	MK344 MK077 I79 PK076		376225SP	E1221 <sup>1</sup>	23890	MK118 PK078	
(-) 4-Motion											
 (+)	10.97 → 05.05	742256SP	E4858 <sup>1</sup>		MK344 MK077 I79 PK076		376229SP	E1212 <sup>1</sup>		MK118 PK078	
(+) SP (-) 4-Motion											
4-Motion (+)	11.98 → 04.99	742257SP	E4593 <sup>1</sup>	16731	MK344 MK077 I79 PK076		376055SP	E1261 <sup>1</sup>	G1236		
→ ch.no. 1J-X-999 000											
4-Motion (+)	05.99 → 05.05	742055SP	E4947 <sup>1</sup>		MK344 MK077 I79 PK076		376055SP	E1261 <sup>1</sup>	G1236		
(+)											
ch.no. 1J-X-999 000 →											
4-Motion (+)	05.99 → 05.05	742055SP	E4947 <sup>1</sup>		MK344 MK077 I79 PK076		376060SP	E1262 <sup>1</sup>			

MC... =      MK... =      PK... =

VOLKSWAGEN



	OESPECTRUM	REFLEX	ORIGINAL			OESPECTRUM	REFLEX	ORIGINAL		
	RIDESENSE	ADVENTURE				RIDESENSE	ADVENTURE	LEVELING		

## BORA

1.4, 1.6 (+) (-) 4-Motion	05.99 → 05.05	742258SP <sup>0</sup>	E4373 <sup>1</sup>	G16264	MK344 MK077 !79 PK076		376230SP	E1295 <sup>1</sup>	23925	MK118 PK078	
1.8, 1.8 Turbo, 2.0, 2.3, 1.9 SDi, 1.9 TDi (+) (-) 4-Motion	05.99 → 05.05	742257SP <sup>0</sup>	E4593 <sup>1</sup>	16731	MK344 MK077 !79 PK076		376230SP	E1295 <sup>1</sup>	23925	MK118 PK078	
 (+)	05.99 → 05.05	742256SP <sup>0</sup>	E4858 <sup>1</sup>		MK344 MK077 !79 PK076		376229SP	E1212 <sup>1</sup>		MK118 PK078	
4-Motion (+) (+)	05.99 → 05.05	742055SP	E4947 <sup>1</sup>		MK344 MK077 !79 PK076		376055SP	E1261 <sup>1</sup>	G1236		
4-Motion (+)	05.99 → 05.05	742055SP	E4947 <sup>1</sup>		MK344 MK077 !79 PK076		376060SP	E1262 <sup>1</sup>			

!79

MK001, MK202, MK342, MK343, MK344, MK345, MK346, MK347 =

MK149, MK208, MK263R, MK264L, MK271, MK321, MK322, MK376 =

MK067, MK068, MK077, MK156, MK194, MK326, MK332, MK334R, MK335L, MK337, MK372 = +

## CADDY I, II

	10.82 → 10.92			MR826	PK001				R2642		
	11.95 → 01.04			11250	MC212 MK067				R3462		
	06.96 → 12.00		E4711 <sup>1</sup>	16296	MK067 PK001				R2702		

## CADDY III

1.4, 1.6, 1.9 TDi, 2.0 SDi (-)	03.04 → 08.10			G8005	!64 Ø 50mm (A) MK345 MK194 !79 PK163				23990		
1.2, 1.4, 1.6, 1.6 TDi, 2.0 TDi, 2.0 SDi (-) incl. Maxi	09.10 → 04.15			G8006	!64 Ø 55mm (B) MK345 MK194 !79 PK163						

## CADDY IV

1.0 TSi, 1.2 TSi, 1.4 TSi, 1.4 TGi, 1.6 SRE, 1.6 TDi, 2.0 TDi incl. Maxi & Alltrack	05.15 →	742242SP		16498	PK163				23990		
--	---------	----------	--	-------	-------	--	--	--	-------	--	--

## CORRADO

1.8, 2.0	09.88 → 12.95		E4414 <sup>1</sup>	11541	MC212 MK067 MK344 !79 PK001				23976	MK133 PK016	
2.8, 2.9	09.88 → 12.95		E4513 <sup>1</sup>	G16577	MC212 MK067 MK344 !79				23976	MK133	

## CRAFTER

3 T, 3,5 T	04.06 → 05.13			V4510	MC114 MK287				V1177		
5 T	04.06 → 05.13			V4511	MC114 MK287				V1178		

MC... =

MK... =

PK... =



	OESPECTRUM	REFLEX	ORIGINAL			OESPECTRUM	REFLEX	ORIGINAL		
	RIDESENSE	ADVENTURE				RIDESENSE	ADVENTURE	LEVELING		

**DERBY**

	04.75 → 11.84			MR828	MK034 PK045				R3720	PK016	
--	---------------	--	--	-------	----------------	--	--	--	-------	-------	--

**EOS**

	03.06 → 08.15	742248SP	E7026 <sup>1</sup>		MK345 MK194 !79 PK163		376099SP	E1341 <sup>1</sup>	G2101	MK203 PK078	
	03.06 → 08.15	C2513S					C1518R 				
							C1519L 				

**FOX**

1.2, 1.4, 1.4 TDi (-) CrossFox	04.05 → 12.11	742052SP	E4997 <sup>1</sup>	16451	MK345 MK156 !79 PK012		376036SP			MK118 PK078	
--------------------------------------	---------------	----------	--------------------	-------	--------------------------------	--	----------	--	--	----------------	--

**GOLF I**

	02.74 → 07.84										
Rabbit (=)	76 → 08.83		E3002 <sup>1</sup>	MR826	MK071 PK001				R3715	PK015	
Rabbit (=)	76 → 08.83								R3715	PK015	

**GOLF I**

	08.79 → 08.93		E3002 <sup>1</sup>	MR826	MK070 PK001				R3715	PK015	
--	---------------	--	--------------------	-------	----------------	--	--	--	-------	-------	--

**GOLF II**

1.0, 1.1, 1.3, 1.6, 1.8, GTi, 1.6 D, 1.6 TD (-) GTi 16 V (-)	08.83 → 89		E4201 <sup>1</sup>	11123	MC212 MK033 PK001			E1008 <sup>1</sup>	R3728	MK133 PK017	
GTi 16V	08.85 → 11.91			11250	MC212 MK033 PK001				23976	MK133 PK017	
1.3, 1.6, 1.8, Diesel, Turbo Diesel, GTi (+)	08.83 → 89		E4201 <sup>1</sup>	11123	MC212 MK033 PK001				R3775	MK133 PK017	
Syncro (=) (4 x 4) (-) Rallye/Country	02.86 → 90		E4201 <sup>1</sup>	11123	MC212 MK033				23744	MK133	
1.1, 1.3, 1.6, 1.8, Diesel, Turbo Diesel, GTi (-) GTi 16 V (-)	90 → 12.92		E4201 <sup>1</sup>	11123	MC212 MK033 PK001			E1008 <sup>1</sup>	R3728	MK133 PK017	
1.3, 1.6, 1.8, Diesel, Turbo Diesel, GTi (+)	90 → 11.91		E4201 <sup>1</sup>	11123	MC212 MK033 PK001				R3775	MK133 PK017	
GTi G 60 (-) Syncro	08.88 → 07.91		E4414 <sup>1</sup>		MC212 MK033				23976	MK133 PK017	
Syncro (=) (4 x 4) (-) Rallye/Country (-)	90 → 10.91		E4201 <sup>1</sup>	11123	MC212 MK033 PK001				23744	MK133	

**GOLF III**

	11.91 → 07.94										
(+)			E4202 <sup>1</sup>	11163	MC212 MK033 PK052			E1008 <sup>1</sup>	R3728	MK133 PK017	
→ ch.no. 1H-SW062538 → ch.no. 1H-SB019475											
(-) GTi (-) VR 6 (-) TDi kW 81 (-) Syncro (4 x 4)											

MC... =

MK... =

PK... =



MONROE		OESPECTRUM	REFLEX	ORIGINAL	i	C	OESPECTRUM	REFLEX	ORIGINAL	i	C
		RISESENSE	ADVENTURE				RISESENSE	ADVENTURE	LEVELING		
(+) <b>ND</b> ch.no. 1H-SW062539 → ch.no. 1H-SB019476 → (-) GTi (-) VR 6 (-) TDi kW 81 (-) Syncro (4 x 4)	08.94 → 12.97		E4355 <sup>1</sup>	11250	MC212 MK067 MK344 I79 PK001			E1008 <sup>1</sup>	R3728	MK133 PK017	
<b>GTi 16V</b>	08.91 → 12.97		E4513 <sup>1</sup>	G16577	MC212 MK067 MK344 I79 PK001				23976	MK133 PK017	
<b>VR6</b>	01.92 → 12.97										
<b>TDi</b> 81 kW	02.96 → 12.97		E4513 <sup>1</sup>	G16577	MC212 MK067 MK344 I79 PK001			E1008 <sup>1</sup>	R3728	MK133 PK017	
(+) <b>HD</b> → ch.no. 1H-SW062538 → ch.no. 1H-SB019475 (-) Syncro (4 x 4)	08.91 → 07.94		E4513 <sup>1</sup>	G16577	MC212 MK033 PK001				R3775	MK133 PK017	
(+) <b>HD</b> ch.no. 1H-SW062539 → ch.no. 1H-SB019476 → (-) Syncro (4 x 4)	08.94 → 97		E4513 <sup>1</sup>	G16577	MC212 MK067 MK344 I79 PK001				R3775	MK133 PK017	
(+) <b>SP</b> → ch.no. 1H-SW062538 → ch.no. 1H-SB019475	08.91 → 07.94		E4513 <sup>1</sup>	G16577	MC212 MK033 PK001				23976	MK133 PK017	
(+) <b>SP</b> ch.no. 1H-SW062538 → ch.no. 1H-SB019476 →	08.94 → 12.97		E4513 <sup>1</sup>	G16577	MC212 MK067 MK344 I79 PK001				23976	MK133 PK017	
<b>Syncro</b> (=) (4 x 4) → ch.no. 1H-SW062538 → ch.no. 1H-S-062538 (-) <b>HD</b>	08.91 → 07.94		E4202 <sup>1</sup>	11163	MC212 MK033 PK001				23744	MK133 PK017	
<b>Syncro</b> (=) (4 x 4) ch.no. 1H-SW062539 → ch.no. 1H-S-062539 → (-) <b>HD</b>	08.94 → 12.97		E4355 <sup>1</sup>	11250	MC212 MK067 MK344 I79 PK001				23744	MK133 PK017	
<b>Syncro</b> (=) (4 x 4) (+) <b>HD</b>	08.91 → 12.97		E4513 <sup>1</sup>	G16577	MC212 PK001						

**GOLF III**

<b>Variant</b> → ch.no. 1H-SW062538 → ch.no. 1H-SB019474 (-) <b>HD</b> (-) VR 6 (-) TDi kW 81	07.93 → 07.94		E4202 <sup>1</sup>	11163	MC212 MK033 PK052				G15028	PK046	
<b>Variant</b> ch.no. 1H-SW062539 → ch.no. 1H-SB019475 → (-) <b>HD</b> (-) VR 6 (-) TDi kW 81 (-) Synchro (4 x 4)	08.94 → 02.99		E4355 <sup>1</sup>	11250	MC212 MK067 MK344 I79 PK001				G15028	PK046	
<b>TDi</b> kW 81 <b>VR 6</b> (-) <b>HD</b> (-) Synchro	07.93 → 02.99		E4513 <sup>1</sup>	G16577	MC212				G15028	PK046	
<b>Variant</b> (+) <b>HD</b>	07.93 → 02.99		E4513 <sup>1</sup>	G16577	MC212						

MC... =

MK... =

PK... =





	OESPECTRUM	REFLEX	ORIGINAL			OESPECTRUM	REFLEX	ORIGINAL		
	RIESENSE	ADVENTURE				RIESENSE	ADVENTURE	LEVELING		

### GOLF III

1.6, 1.8, 2.0, 1.9 TDi	07.93 → 10.00		E4513 <sup>1</sup>	G16577	MC212 MK067 MK344 <b>I79</b> PK001			E1008 <sup>1</sup>	R3728	MK133 PK017	
---------------------------	---------------	--	--------------------	--------	--	--	--	--------------------	-------	----------------	--

**I79**

MK001, MK202, MK342, MK343, MK344, MK345, MK346, MK347 =   
 MK149, MK208, MK263R, MK264L, MK271, MK321, MK322, MK376 =   
 MK067, MK068, MK077, MK156, MK194, MK326, MK332, MK334R, MK335L, MK337, MK372 =

### GOLF IV

1.4, 1.6 (+) (-) 4-Motion	10.97 → 05.04	742258SP	E4373 <sup>1</sup>	G16264	MK344 MK077 <b>I79</b> PK076		376225SP	E1221 <sup>1</sup>	23890	MK118 PK078	
1.8, 1.8 Turbo GTi, 2.0, 2.3, 1.9 SDi, 1.9 TDi (+) (-) 4-Motion	10.97 → 12.05	742257SP	E4593 <sup>1</sup>	16731	MK344 MK077 <b>I79</b> PK076		376225SP	E1221 <sup>1</sup>	23890	MK118 PK078	
 (+) (-) 4-Motion	10.97 → 12.05	742256SP	E4858 <sup>1</sup>		MK344 MK077 <b>I79</b> PK076		376229SP	E1212 <sup>1</sup>		MK118 PK078	
 (+) (-) 4-Motion	10.97 → 12.05	742256SP	E4858 <sup>1</sup>		MK344 MK077 <b>I79</b> PK076		376226SP	E1222 <sup>1</sup>		MK118 PK078	
4-Motion (+) → ch.no. 1J-X-800 000	11.98 → 05.99	742257SP	E4593 <sup>1</sup>	16731	MK344 MK077 <b>I79</b> PK076		376055SP	E1261 <sup>1</sup>	G1236		
4-Motion (+) → ch.no. 1J-X-800 000	11.98 → 05.99	742256SP	E4858 <sup>1</sup>		MK344 MK077 <b>I79</b> PK076		376060SP	E1262 <sup>1</sup>			
4-Motion (+) → ch.no. 1J-X-800 000	11.98 → 05.99	742256SP	E4858 <sup>1</sup>		MK344 MK077 <b>I79</b> PK076		376055SP	E1261 <sup>1</sup>	G1236		
4-Motion (+) (+) ch.no. 1J-X-800 001 →	06.99 → 06.05	742055SP	E4947 <sup>1</sup>		MK344 MK077 PK076		376055SP	E1261 <sup>1</sup>	G1236		
4-Motion (+) ch.no. 1J-X-800 001 →	06.99 → 06.05	742055SP	E4947 <sup>1</sup>		MK344 MK077 <b>I79</b> PK076		376060SP	E1262 <sup>1</sup>			

### GOLF IV

1.4, 1.6 (+) (-) 4-Motion	05.99 → 06.06	742258SP	E4373 <sup>1</sup>	G16264	MK344 MK077 <b>I79</b> PK076		376230SP	E1295 <sup>1</sup>	23925	MK118 PK078	
1.8, 1.8 Turbo, 2.0, 2.3, 1.9 SDi, 1.9 TDi (+) (-) 4-Motion	05.99 → 06.06	742257SP	E4593 <sup>1</sup>	16731	MK344 MK077 <b>I79</b> PK076		376230SP	E1295 <sup>1</sup>	23925	MK118 PK078	
 (+)	05.99 → 06.06	742256SP	E4858 <sup>1</sup>		MK344 MK077 <b>I79</b> PK076		376230SP	E1295 <sup>1</sup>	23925	MK118 PK078	
 (+)	05.99 → 06.06	742256SP	E4858 <sup>1</sup>		MK344 MK077 <b>I79</b> PK076		376229SP	E1212 <sup>1</sup>		MK118 PK078	
4-Motion (+) (+)	05.99 → 06.06	742055SP	E4947 <sup>1</sup>		MK344 MK077 <b>I79</b> PK076		376055SP	E1261 <sup>1</sup>	G1236		
4-Motion (+)	05.99 → 07	742055SP	E4947 <sup>1</sup>		MK344 MK077 <b>I79</b> PK076		376060SP	E1262 <sup>1</sup>			

MC... =      MK... =      PK... =

VOLKSWAGEN

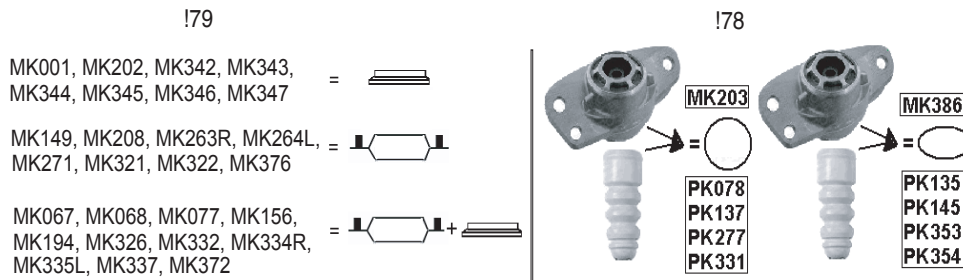


<b>MONROE</b>	OESPECTRUM	REFLEX	ORIGINAL			OESPECTRUM	REFLEX	ORIGINAL		
	RIDESENSE	ADVENTURE				RIDESENSE	ADVENTURE	LEVELING		

**GOLF V**

1.4, 1.4 FSi, 1.6, 1.6 FSi, 2.0 FSi, 1.9 TDi, 2.0 SDi, 2.0 TDi (+) <b>ND</b> (-) GTi (-) 4-Motion	10.03 → 09	742244SP	E7029 <sup>1</sup>	G16496	164 Ø 50mm (A) MK345 MK194 I79 PK163	376053SP	E1337 <sup>1</sup>	23979	MK203 MK386 I78 PK078 PK353	
		742242SP	E7031 <sup>1</sup>	16498	164 Ø 55mm (B) MK345 MK194 I79 PK163					
1.4, 1.4 FSi, 1.6, 1.6 FSi, 2.0 FSi, 1.9 TDi, 2.0 SDi, 2.0 TDi (+) <b>SP</b> (-) GTi (-) 4-Motion	10.03 → 11.08	742246SP	E7056 <sup>1</sup>		164 Ø 50mm (A) MK345 MK194 I79 PK163	376053SP	E1337 <sup>1</sup>	23979	MK203 MK386 I78 PK078 PK353	
		742245SP	E7057 <sup>1</sup>		164 Ø 55mm (B) MK345 MK194 I79 PK163					
1.4, 1.4 FSi, 1.6, 1.6 FSi, 2.0 FSi, 1.9 TDi, 2.0 SDi, 2.0 TDi (+) <b>HD</b> (-) 4-Motion	10.03 → 11.08	742243SP	E7028 <sup>1</sup>	G16495	164 Ø 50mm (A) MK345 MK194 I79 PK163			23987	MK203 MK386 I78 PK078 PK353	
		742245SP	E7057 <sup>1</sup>		164 Ø 55mm (B) MK345 MK194 I79 PK163					
2.0 GTi	08.04 → 02.09	742245SP	E7057 <sup>1</sup>		164 Ø 55mm (B) MK345 MK194 I79 PK163	376099SP	E1341 <sup>1</sup>	G2101	MK203 PK078	
3.2 R32 (=) (4 x 4) 4-Motion	05.05 → 11.08	742245SP	E7057 <sup>1</sup>		164 Ø 55mm (B) MK345 MK194 I79 PK163	376099SP	E1341 <sup>1</sup>	G2101	MK203 PK078	

**I78/I79**

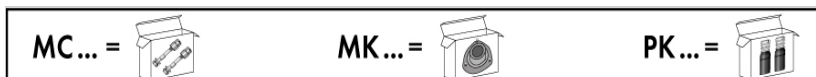


**I64**



**GOLF V**

1.4, 1.4 FSi, 1.6, 1.6 FSi, 2.0 FSi, 1.9 TDi, 2.0 SDi, 2.0 TDi (+) <b>ND</b> (+/-) 4-Motion	05.07 → 04.08	742244SP	E7029 <sup>1</sup>	G16496	164 Ø 50mm (A) MK345 MK194 I79	376053SP	E1337 <sup>1</sup>	23979	MK203 MK386 I78 PK078 PK353	
		742242SP	E7031 <sup>1</sup>	16498	164 Ø 55mm (B) MK345 MK194 I79					





	OESPECTRUM	REFLEX	ORIGINAL			OESPECTRUM	REFLEX	ORIGINAL		
	RIDESENSE	ADVENTURE				RIDESENSE	ADVENTURE	LEVELING		

1.4, 1.4 FSi, 1.6, 1.6 FSi, 2.0 FSi, 1.9 TDi, 2.0 SDi, 2.0 TDi (+) (+/-) 4-Motion	05.07→04.08	742246SP	E7056 <sup>1</sup>		<b>!64</b> Ø 50mm (A) MK345 MK194 <b>!79</b> PK163		376068SP	E1351 <sup>1</sup>			MK203 MK386 <b>!78</b> PK078 PK353	
			742245SP	E7057 <sup>1</sup>								
1.4, 1.4 FSi, 1.6, 1.6 FSi, 2.0 FSi, 1.9 TDi, 2.0 SDi, 2.0 TDi (+) (+/-) 4-Motion	05.07→04.08	742243SP	E7028 <sup>1</sup>	G16495	<b>!64</b> Ø 50mm (A) MK345 MK194 <b>!79</b> PK163						MK203 MK386 <b>!78</b> PK078 PK353	
			742245SP	E7057 <sup>1</sup>								

**GOLF PLUS**

1.4, 1.4 FSi, 1.6 FSi, 2.0 FSi, 01.05→08.14 1.6 TDi, 1.9 TDi, 2.0 TDi		742244SP	E7029 <sup>1</sup>	G16496	<b>!64</b> Ø 50mm (A) MK345 MK194 <b>!79</b> PK163		376099SP	E1341 <sup>1</sup>	G2101		MK203 MK386 <b>!78</b> PK078 PK353	
			742242SP	E7031 <sup>1</sup>	16498							
1.4, 1.4 FSi, 1.6 FSi, 2.0 FSi, 01.05→08.14 1.6 TDi, 1.9 TDi, 2.0 TDi (+)		742243SP	E7028 <sup>1</sup>	G16495	<b>!64</b> Ø 50mm (A) MK345 MK194 <b>!79</b> PK163				23987		MK203 PK078	
			742245SP	E7057 <sup>1</sup>								

**GOLF VI 4-Motion**

2.0 TSi, 1.6 TDi, 2.0 TDi (+) (-) GTi /TSiR (-)	10.08→07.13	742244SP	E7029 <sup>1</sup>	G16496	<b>!64</b> Ø 50mm (A) MK345 MK194 <b>!79</b> PK163		376053SP	E1337 <sup>1</sup>	23979		MK203 MK386 <b>!78</b> PK078 PK353	
			742242SP	E7031 <sup>1</sup>	16498							
GTi, TSiR (-)	02.09→11.12	742245SP	E7057 <sup>1</sup>		<b>!64</b> Ø 55mm (B) MK345 MK194 <b>!79</b> PK163		376099SP	E1341 <sup>1</sup>	G2101		MK203 MK386 <b>!78</b> PK078 PK353	
2.0 TSi, 2.0 TDi (+) (-) GTi /R32 (-)	10.08→07.13	742244SP	E7029 <sup>1</sup>	G16496	<b>!64</b> Ø 50mm (A) MK345 MK194 <b>!79</b> PK163							
			742245SP	E7057 <sup>1</sup>		<b>!64</b> Ø 55mm (B) MK345 MK194 <b>!79</b> PK163						
2.0 TSi, 2.0 TDi (+) (-)	10.08→07.13	742243SP	E7028 <sup>1</sup>	G16495	<b>!64</b> Ø 50mm (A) MK345 MK194 <b>!79</b> PK163					23987		MK203 PK078
			742245SP	E7057 <sup>1</sup>			<b>!64</b> Ø 55mm (B) MK345 MK194 <b>!79</b> PK163					

MC... =      MK... =      PK... =

VOLKSWAGEN



<b>MONROE</b>	OESPECTRUM	REFLEX	ORIGINAL			OESPECTRUM	REFLEX	ORIGINAL		
	RIDESENSE	ADVENTURE				RIDESENSE	ADVENTURE	LEVELING		

**GOLF VI**

1.4, 1.6, 1.6 Bi-Fuel, 1.2 TSi, 10.08→11.13 1.4 TSi, 1.8 TSi, 1.6 TDi Blue Motion, 2.0 TDi (+) (-) GTi /TSiR (-) 4-Motion (-)	742244SP	E7029 <sup>1</sup>	G16496	164 Ø 50mm (A) MK345 MK194 I79 PK163	376053SP E1337 <sup>1</sup> 23979 MK203 MK386 I78 PK078 PK353	
	742242SP	E7031 <sup>1</sup>	16498	164 Ø 55mm (B) MK345 MK194 I79 PK163		
GTi, TSiR, TFSi 02.09→11.13 (-)	742245SP	E7057 <sup>1</sup>		164 Ø 55mm (B) MK345 MK194 I79 PK163	376099SP E1341 <sup>1</sup> G2101 MK203 PK078	
1.4, 1.6, 1.6 Bi-Fuel, 1.2 TSi, 10.08→11.13 1.4 TSi, 1.8 TSi, 1.6 TDi Blue Motion, 2.0 TDi (+) (-) GTi /TSiR (-) 4-Motion (-)	742244SP	E7029 <sup>1</sup>	G16496	164 Ø 50mm (A) MK345 MK194 I79 PK163	376053SP E1337 <sup>1</sup> 23979 MK386 MK203 I78 PK078 MK353	
	742245SP	E7057 <sup>1</sup>		164 Ø 55mm (B) MK345 MK194 I79 PK163		
1.4, 1.6, 1.6 Bi-Fuel, 1.2 TSi, 10.08→11.13 1.4 TSi, 1.8 TSi, 1.6 TDi Blue Motion, 2.0 TDi (+) (-) 4-Motion (-)	742243SP	E7028 <sup>1</sup>	G16495	164 Ø 50mm (A) MK345 MK194 I79 PK163	23987 MK203 PK078	
	742245SP	E7057 <sup>1</sup>		164 Ø 55mm (B) MK345 MK194 I79 PK163		

**GOLF VI/GOLF VI 4-Motion**

 (+)	10.08→11.13	C2513S				C1514R				
						C1517L				

**GOLF VI**

1.2 TSi, 1.4, 1.4 TSi, 1.6, 07.09→05.14 2.0 TSi, 1.9 TDi, 2.0 TDi (-) 4-Motion	742244SP	E7029 <sup>1</sup>	G16496	164 Ø 50mm (A) MK345 MK194 I79 PK163	376053SP E1337 <sup>1</sup> 23979 MK203 MK386 I78 PK078 PK353	
	742242SP	E7031 <sup>1</sup>	16498	164 Ø 55mm (B) MK345 MK194 I79 PK163		
1.2 TSi, 1.4, 1.4 TSi, 1.6, 07.09→05.14 2.0 TSi, 1.9 TDi, 2.0 TDi (-) 4-Motion	742246SP	E7056 <sup>1</sup>		164 Ø 50mm (A) MK345 MK194 I79 PK163	376068SP E1351 <sup>1</sup> MK203 PK078	
	742245SP	E7057 <sup>1</sup>		164 Ø 55mm (B) MK345 MK194 I79 PK163		

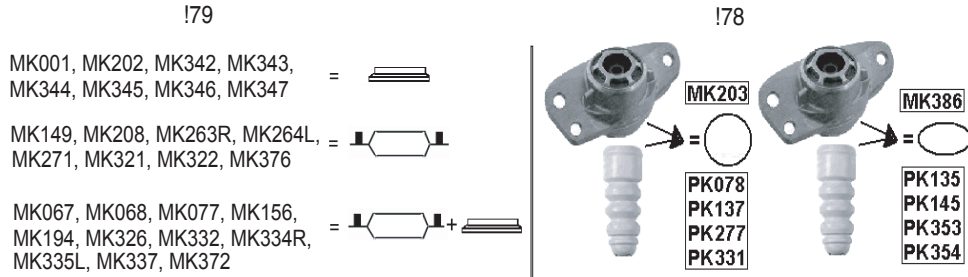
MC... = MK... = PK... =



<b>MONROE</b>	OESPECTRUM	REFLEX	ORIGINAL			OESPECTRUM	REFLEX	ORIGINAL		
	RIDESENSE	ADVENTURE				RIDESENSE	ADVENTURE	LEVELING		

<b>1.2 TSi, 1.4, 1.4 TSi, 1.6, 2.0 TSi, 1.9 TDi, 2.0 TDi</b> (-) 4-Motion	07.09→05.14	<b>742250SP</b>	E7052 <sup>1</sup>	!64 Ø 50mm (A) MK345 MK194 !79 PK163		23987	MK203 PK078	
	<b>1.6 TDi</b> (+/-) 4-Motion (+) (-)	07.09→07.13	<b>742245SP</b>					

**!78/!79**



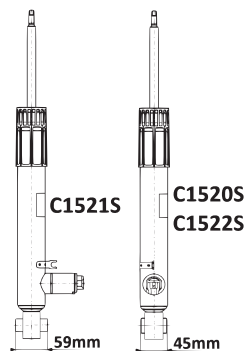
**!64**



**GOLF VII, VARIANT**

	08.12→	<b>742116SP</b>			Ø 50 mm !86 MK411		<b>376193SP</b>	E1387 <sup>1</sup>		
		<b>742117SP</b>			Ø 55 mm !86 MK411		<b>376194SP</b>	E1388 <sup>1</sup>		
	08.12→	<b>C2516S</b>					<b>376195SP</b>			
		<b>C1521S</b>					<b>C1520S</b>	<b>C1522S</b>		

**!94**



MC... =	MK... =	PK... =
---------	---------	---------

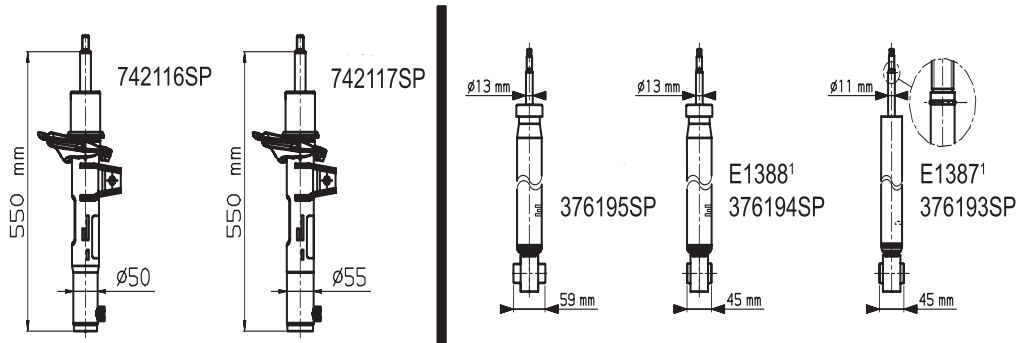


<b>MONROE</b>	OESPECTRUM	REFLEX	ORIGINAL			OESPECTRUM	REFLEX	ORIGINAL		
	RIDESENSE	ADVENTURE				RIDESENSE	ADVENTURE	LEVELING		

**GOLF VII SPORTSVAN**

	02.14→	<b>742116SP</b>			MK411		<b>376193SP</b>	E1387 <sup>1</sup>			
	02.14→	<b>C2516S</b>					<b>376194SP</b>	E1388 <sup>1</sup>		186	
							<b>376195SP</b>				
							<b>C1521S</b>				

186



**JETTA**

	08.78→07.84		E3002 <sup>1</sup>	<b>MR826</b>	MK071 PK001				<b>R3715</b>	PK015	
	12.83→12.92		E4201 <sup>1</sup>	<b>11123</b>	MC212 MK033 PK001			E1008 <sup>1</sup>	<b>23976</b>	MK133 PK017	
<b>GT 16V</b>	08.85→07.92			<b>16151</b>	MC212 MK033 PK001				<b>23976</b>	MK133 PK017	
<b>Syncro</b> (=) (4 x 4) (-) <b>HD</b>	08.87→07.91		E4201 <sup>1</sup>	<b>11123</b>	MC212 MK033 PK001				<b>23744</b>	MK133 PK017	
	12.83→12.92		E4201 <sup>1</sup>	<b>11123</b>	MC212 MK033 PK001				<b>R3775</b>	MK133 PK017	
1.4 TSi, 1.6, 1.6 FSi, 2.0 FSi, 08.05→02.11 2.0 TFSi, 1.9 TDi, 2.0 TDi (+) <b>ND</b>		<b>742244SP</b>	E7029 <sup>1</sup>	<b>G16496</b>	<b>164</b> Ø 50mm (A) MK345 MK194 <b>179</b> PK163		<b>376099SP</b>	E1341 <sup>1</sup>	<b>G2101</b>	MK203 MK386 <b>178</b> PK078 PK353	
		<b>742242SP</b>	E7031 <sup>1</sup>	<b>16498</b>	<b>164</b> Ø 55mm (B) MK345 MK194 <b>179</b> PK163						
1.4 TSi, 1.6, 1.6 FSi, 2.0 FSi, 08.05→02.11 2.0 TFSi, 1.9 TDi, 2.0 TDi (+) <b>SP</b>		<b>742244SP</b>	E7029 <sup>1</sup>	<b>G16496</b>	<b>164</b> Ø 50mm (A) MK345 MK194 <b>179</b> PK163		<b>376099SP</b>	E1341 <sup>1</sup>	<b>G2101</b>	MK203 PK078	
		<b>742245SP</b>	E7057 <sup>1</sup>		<b>164</b> Ø 55mm (B) MK345 MK194 <b>179</b> PK163						
1.4 TSi, 1.6, 1.6 FSi, 2.0 FSi, 08.05→02.11 2.0 TFSi, 1.9 TDi, 2.0 TDi (+) <b>HD</b>		<b>742250SP</b>	E7052 <sup>1</sup>		<b>164</b> Ø 50mm (A) MK345 MK194 <b>179</b> PK163				<b>23987</b>	MK203 PK078	
		<b>742245SP</b>	E7057 <sup>1</sup>		<b>164</b> Ø 55mm (B) MK345 MK194 <b>179</b> PK163						

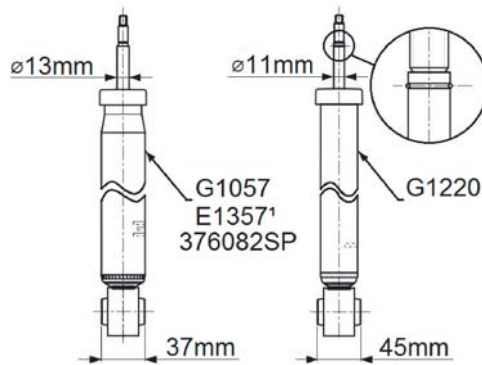
MC... =      MK... =      PK... =



	OESPECTRUM	REFLEX	ORIGINAL		OESPECTRUM	REFLEX	ORIGINAL	
	RIDESENSE	ADVENTURE			RIDESENSE	ADVENTURE	LEVELING	

 (+) ND (-) SP (-) HD	04.10→	742244SP	E7029 <sup>1</sup>	G16496	!64 Ø 50mm (A) MK345 MK194 !79 PK163	 (+) SP (-) HD			G1220	!88 Ø 11mm MK386 MK203 !78 PK078 PK353	 (+) SP (-) HD
		742242SP	E7031 <sup>1</sup>	16498	!64 Ø 55mm (B) MK345 MK194 !79 PK163		376082SP	E1357 <sup>1</sup>	G1057	!88 Ø 13mm MK386 MK203 !78 PK078 PK353	
 (-) ND (+) SP (+) HD	04.10→	742250SP	E7052 <sup>1</sup>		!64 Ø 50mm (A) MK345 MK194 !79 PK163	 (+) SP (+) HD			G1220	!88 Ø 11mm MK203 MK386 !78 PK078 PK353	 (+) SP (+) HD
		742245SP	E7057 <sup>1</sup>		!64 Ø 55mm (B) MK345 MK194 !79 PK163		376082SP	E1357 <sup>1</sup>	G1057	!88 Ø 13mm MK203 MK386 !78 PK078 PK353	

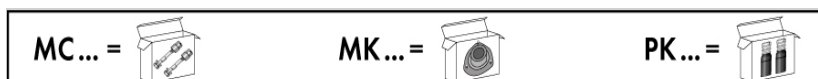
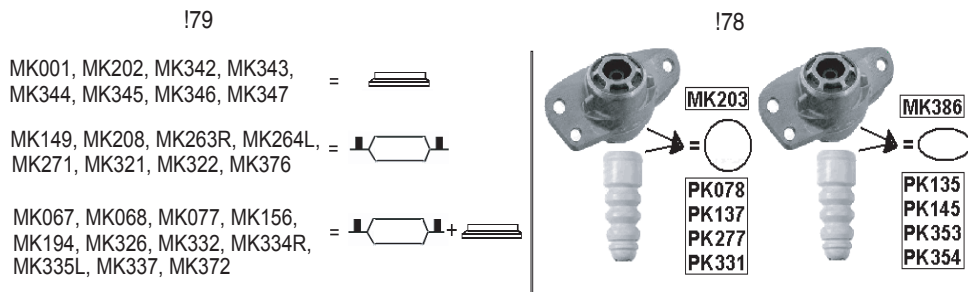
**!88**



**!64**



**!78/!79**



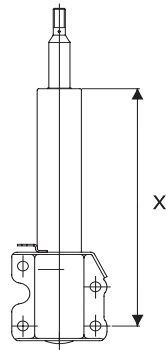


<b>MONROE</b>	OESPECTRUM	REFLEX	ORIGINAL			OESPECTRUM	REFLEX	ORIGINAL		
	RIDESENSE	ADVENTURE				RIDESENSE	ADVENTURE	LEVELING		

**LT SERIES**

LT 28, LT 31, LT 28 D, LT 31 D, LT 35, LT 35 D → ch.no. 28 D 007273	04.75 → 11.82			V2024						
LT 28, LT 31, LT 28 D, LT 31 D, LT 35, LT 35 D ch.no. 28 D 007274 →	12.82 → 12.96			V2024			V2050			
LT 28, LT 32, LT 35, LT 45, LT 46	05.96 → 07.06			V4503	167 MK277		V1116			
				V4507						

**167**



- X=319,5 : V4503  
OE  
901 320 02 30 901 320 18 30 903 320 02 30  
901 320 03 30 901 320 20 30 903 320 03 30  
901 320 08 30 901 320 21 30 903 320 05 30  
901 320 13 30 901 320 22 30 2D0 413 029  
901 320 14 30 901 320 29 30 2D0 413 029 B  
901 320 15 30 903 320 01 30
- X=345,5 : V4507  
OE  
904 320 07 30 904 320 16 30 904 320 25 30  
904 320 08 30 904 320 18 30 904 320 26 30  
904 320 13 30 904 320 19 30 2D0 413 029 A  
904 320 14 30 904 320 23 30

**LUPO**

1.0, 1.4, 1.4 TDi, 1.4 16V, 1.7 SDi (-) 1.2 TDi (3 L) (-) 1.4 FSi (-) 1.6 16V (GTi)	10.98 → 07.05			11202	MC212 MK068 MK344 179 PK051		23898			
1.4 FSi, 1.6 16V (GTi), 1.2 TDi	06.99 → 07.05						23898			

**NEW BEETLE, NEW BEETLE CABRIOLET**

1.4, 1.6, 1.8 T, 2.0, 2.3 V 5, 1.9 TDi (-) USA (-) MEX	01.98 → 10.10	742256SP	E4858 <sup>1</sup>		MK344 MK077 179 PK076		376226SP	E1222 <sup>1</sup>		MK118 PK078
---	---------------	----------	--------------------	--	--------------------------------	--	----------	--------------------	--	----------------

**PASSAT** → 10.96

 → ch.no. 32 D 155 757	08.80 → 03.83			MR976	MK032 PK001					PK017
 ch.no. 32 D 155 758 → (-) Syncro (4 x 4)	04.83 → 03.88			MR976	MK032 PK001			R3726		PK017
 → ch.no. 31-P-026 435 (-) Syncro (4 x 4) (-) HD (-) 107 PS, 112 PS, 16 V → ch.no. 31-P-026 435 2.8 VR 6 → ch.no. 31-M-320 488	02.88 → 07.92		E4414 <sup>1</sup>	11541	MC212 MK033 PK001		E1016 <sup>1</sup>	R3745		MK229 PK016
Syncro (=) (4 x 4) → ch.no. 31-P-026 435 (-)	08.88 → 12.93		E4414 <sup>1</sup>	11541	MC212 PK001			R3768		MK229 PK068

MC... =      MK... =      PK... =





	OESPECTRUM	REFLEX	ORIGINAL			OESPECTRUM	REFLEX	ORIGINAL		
	RIDESENSE	ADVENTURE				RIDESENSE	ADVENTURE	LEVELING		

<b>2.8 VR 6</b> ch.no. 31-M-320 489 →	06.91 → 10.93			<b>G16607</b>	MC212 PK052			E1016 <sup>1</sup>	<b>R3745</b>	MK229 PK016	
 (+) → ch.no. 31-P-026 435	02.88 → 10.93		E4414 <sup>1</sup>	<b>11541</b>	MC212 MK033 PK001				<b>R3888</b>	MK229	
<b>1.8, 2.0, 1.9 D, 1.9 TD, 1.9 TDi</b> ch.no. 31-P-026 436 →	10.93 → 12.96				MC212 MK067 MK344 <b>!79</b> PK001			E1016 <sup>1</sup>	<b>R3745</b>	MK229 PK016	
(-) (-) (-) VR6			E4479 <sup>1</sup>	<b>11642</b>							
<b>2.0 16V VR6</b> ch.no. 31-P-026 436 →	10.93 → 12.96			<b>G16607</b>	MC212 MK067 MK344 <b>!79</b> PK001			E1016 <sup>1</sup>	<b>R3745</b>	MK229 PK016	
(-) (-)											
<b>Syncro (=) (4 x 4)</b> ch.no. 31-P-026 436 →	01.94 → 12.96			<b>G16607</b>	MC212 MK067 MK344 <b>!79</b> PK052				<b>R3768</b>	MK229 PK068	
(-) (-)											
 (+) ch.no. 31-P-026 436 →	10.93 → 12.96			<b>G16607</b>	MC212 MK067 MK344 <b>!79</b> PK052				<b>R3888</b>	MK229	

**!79**

MK001, MK202, MK342, MK343, MK344, MK345, MK346, MK347 =   
 MK149, MK208, MK263R, MK264L, MK271, MK321, MK322, MK376 =   
 MK067, MK068, MK077, MK156, MK194, MK326, MK332, MK334R, MK335L, MK337, MK372 =

**PASSAT**

	07.73 → 03.88			<b>R1601</b>							
--	---------------	--	--	--------------	--	--	--	--	--	--	--

**PASSAT(B5)**

 (+) → ch.no. 3B-YE121 221 (-) Syncro / 4-Motion	10.96 → 09.99	<b>376028SP</b>	E2034 <sup>1</sup>	<b>26654</b>	MK190 PK088		<b>376081SP</b>	E5087 <sup>1</sup>	<b>45007</b>	MK187 PK101	
 (+) → ch.no. 3B-YE121 221 (-) Syncro / 4-Motion	10.96 → 09.99	<b>376028SP</b>	E2034 <sup>1</sup>	<b>26654</b>	MK190 PK088		<b>376090SP</b>	E5079 <sup>1</sup>	<b>45008</b>	MK187 PK101	
 (+) → ch.no. 3B-YE121 221 (-) Syncro / 4-Motion	10.96 → 09.99			<b>26655</b>	MK190 PK088		<b>376026SP</b>	E1234 <sup>1</sup>		MK187 PK101	
 (+) ch.no. 3B-YE121 222 → (-) Syncro / 4-Motion	09.99 → 05.05	<b>376054SP</b>	E2048 <sup>1</sup>	<b>26663</b>	MK190 PK088		<b>376081SP</b>	E5087 <sup>1</sup>	<b>45007</b>	MK187 PK101	
 (+) ch.no. 3B-YE121 222 → (-) Syncro / 4-Motion	09.99 → 05.05	<b>376054SP</b>	E2048 <sup>1</sup>		MK190 PK088		<b>376090SP</b>	E5079 <sup>1</sup>	<b>45008</b>	MK187 PK101	
 (+) ch.no. 3B-YE121 222 → (-) Syncro / 4-Motion	09.99 → 05.05	<b>376044SP</b>	E2049 <sup>1</sup>		MK190 PK088		<b>376026SP</b>	E1234 <sup>1</sup>		MK187 PK101	

MC... =      MK... =      PK... =



	OESPECTRUM	REFLEX	ORIGINAL			OESPECTRUM	REFLEX	ORIGINAL		
	RIDESENSE	ADVENTURE				RIDESENSE	ADVENTURE	LEVELING		

## PASSAT Syncro, 4-Motion (B5)

1.8, 2.0, 2.3 V5, 2.8 V6, 1.9 TDi, 2.5 V6 TDi (+) → ch.no. 3B-YE121 221	05.97→09.99	376028SP	E2034 <sup>1</sup>	26654	MK190 PK088		376058SP	E2051 <sup>1</sup>		MK187	
 (+) → ch.no. 3B-YE121 221	05.97→09.99	376028SP	E2034 <sup>1</sup>	26654	MK190 PK088		376010SP	E2052 <sup>1</sup>		MK187	
 (+) → ch.no. 3B-YE121 221	05.97→09.99			26655	MK190 PK088			∅	∅	MK187	
1.8, 2.0, 2.3 V5, 2.8 V6, 1.9 TDi, 2.5 V6 TDi (+) ch.no. 3B-YE121 222 → (-) W 8	09.99→05.05	376054SP	E2048 <sup>1</sup>	26663	MK190 PK088		376058SP	E2051 <sup>1</sup>		MK187	
 (+) ch.no. 3B-YE121 222 → (-) W 8	09.99→05.05	376054SP	E2048 <sup>1</sup>	26663	MK190 PK088		376010SP	E2052 <sup>1</sup>		MK187	
 (+) ch.no. 3B-YE121 222 → (-) W 8	09.99→05.05	376044SP	E2049 <sup>1</sup>		MK190 PK088			∅	∅	136 MK187	

## PASSAT (B6)

 (+) (-) (-) 3.2 FSi (-) 3.6 FSi	03.05→11.10	742242SP	E7031 <sup>1</sup>	16498	MK345 MK194 179 PK163		376082SP	E1357 <sup>1</sup>	G1057	MK203 PK137	
 (+) (-) (-) 3.2 FSi (-) 3.6 FSi	03.05→11.10	742247SP	E7030 <sup>1</sup>		MK345 MK194 179 PK163		376082SP	E1357 <sup>1</sup>	G1057	MK203 PK137	
 (+)	03.05→11.10	C2513S					C1514R 				
							C1517L 				

## PASSAT 4-Motion (B6)

2.0 FSi, 2.0 TDi (+) (-) (-) 3.2 FSi (-) 3.6 FSi	03.05→12.14	742242SP	E7031 <sup>1</sup>	16498	MK345 MK194 179 PK163		376082SP	E1357 <sup>1</sup>	G1057	MK203 PK137	
2.0 FSi, 2.0 TDi (+) (-) (-) 3.2 FSi (-) 3.6 FSi	03.05→12.14	742247SP	E7030 <sup>1</sup>		MK345 MK194 179 PK163		376082SP	E1357 <sup>1</sup>	G1057	MK203 PK137	
 (+)	03.05→12.14	C2513S					C1514R 				
							C1517L 				

## PASSAT CC (B6)

 (+) (-) (+/-) 4-Motion	03.08→12.11	742242SP	E7031 <sup>1</sup>		MK345 MK194 179 PK163		376082SP	E1357 <sup>1</sup>		MK203	
----------------------------------	-------------	----------	--------------------	--	--------------------------------	--	----------	--------------------	--	-------	--

MC... =

MK... =

PK... =



	OESPECTRUM	REFLEX	ORIGINAL			OESPECTRUM	REFLEX	ORIGINAL		
	RIDESENSE	ADVENTURE				RIDESENSE	ADVENTURE	LEVELING		

	03.08 → 12.11	<b>C2513S</b>					<b>C1514R</b>				
(+)							<b>C1517L</b>				
(+/-) 4-Motion											

**PASSAT VARIANT → 8.97**

	08.80 → 03.83			<b>MR976</b>	MK032 PK001					<b>PK017</b>	
→ ch.no. 32 D 155 757											
	04.83 → 03.88			<b>MR976</b>	MK032 PK001			<b>R3726</b>		<b>PK017</b>	
ch.no. 32 D 155 758 → (-) Syncro (4 x 4)											
<b>Syncro</b> (=) (4 x 4)	09.84 → 08.89			<b>MR976</b>	MK032 PK001						
	04.88 → 10.93		E4414 <sup>1</sup>	<b>11541</b>	MC212 MK033 PK001		E1016 <sup>1</sup>	<b>R3745</b>		<b>MK229 PK016</b>	
→ ch.no. 31-P-026 435 (-) Syncro (-) (-)											
<b>Syncro</b> (=) (4 x 4)	08.88 → 07.92		E4414 <sup>1</sup>	<b>11541</b>	MC212 MK033 PK001			<b>R3768</b>		<b>MK229 PK068</b>	
→ ch.no. 31-P-026 435 (-) (-)											
<b>2.8 VR 6</b>	06.91 → 12.96			<b>G16607</b>	MC212 PK052		E1016 <sup>1</sup>	<b>R3745</b>		<b>MK229 PK016</b>	
ch.no. 31-M-320 489 → (-)											
	08.88 → 10.93		E4414 <sup>1</sup>	<b>11541</b>	MC212 MK033 PK001			<b>R3888</b>		<b>MK229</b>	
(+) → ch.no. 31-P-026 435											
<b>1.6, 1.8, 2.0, 1.9 D, 1.9 TD, 1.9 TDi</b>	10.93 → 05.97		E4479 <sup>1</sup>	<b>11642</b>	MC212 MK067 MK344 <b>I79</b> PK001		E1016 <sup>1</sup>	<b>R3745</b>		<b>MK229 PK016</b>	
(-) (-) (-) VR6											
<b>2.0 16 V, VR6</b>	01.93 → 05.97			<b>G16607</b>	MC212 MK067 MK344 <b>I79</b> PK001		E1016 <sup>1</sup>	<b>R3745</b>		<b>MK229 PK016</b>	
ch.no. 31-P-026 436 → (-) (-)											
<b>Syncro</b> (=) (4 x 4)	08.92 → 12.96			<b>G16607</b>	MC212 MK067 MK344 <b>I79</b> PK052			<b>R3768</b>		<b>MK229 PK068</b>	
ch.no. 31-P-026 436 → (-) (-)											
	11.93 → 09.96			<b>G16607</b>	MC212 MK067 MK344 <b>I79</b> PK052			<b>R3888</b>		<b>MK229 PK016</b>	
(+) ch.no. 31-P-026 436 → (-) Syncro											

**I79**

MK001, MK202, MK342, MK343, MK344, MK345, MK346, MK347 =   
 MK149, MK208, MK263R, MK264L, MK271, MK321, MK322, MK376 =   
 MK067, MK068, MK077, MK156, MK194, MK326, MK332, MK334R, MK335L, MK337, MK372 =

**PASSAT VARIANT**

	07.73 → 08.89			<b>R1601</b>							
--	---------------	--	--	--------------	--	--	--	--	--	--	--

MC... =	MK... =	PK... =
---------	---------	---------



	OESPECTRUM	REFLEX	ORIGINAL			OESPECTRUM	REFLEX	ORIGINAL		
	RIDESENSE	ADVENTURE				RIDESENSE	ADVENTURE	LEVELING		

## PASSAT VARIANT (B5)

 (+)  → ch.no. 3B-YE121 221 (-) Syncro / 4-Motion	05.97 → 09.99	<b>376028SP</b>	E2034 <sup>1</sup>	<b>26654</b>	MK190 PK088		<b>376090SP</b>	E5079 <sup>1</sup>	<b>45008</b>	MK187 PK101	
 (+) → ch.no. 3B-YE121 221 (-) Syncro / 4-Motion	05.97 → 09.99			<b>26655</b>	MK190 PK088		<b>376026SP</b>	E1234 <sup>1</sup>		MK187 PK101	
 (+)  ch.no. 3B-YE121 222 → (-) Syncro / 4-Motion	09.99 → 05.05	<b>376054SP</b>	E2048 <sup>1</sup>	<b>26663</b>	MK190 PK088		<b>376090SP</b>	E5079 <sup>1</sup>	<b>45008</b>	MK187 PK101	
 (+) ch.no. 3B-YE121 222 → (-) Syncro / 4-Motion	09.99 → 05	<b>376044SP</b>	E2049 <sup>1</sup>		MK190 PK088		<b>376026SP</b>	E1234 <sup>1</sup>		MK187 PK101	

## PASSAT VARIANT Syncro, 4-Motion (B5)

1.8, 2.0, 2.3 V5, 2.8 V6, 1.9 TDi, 2.5 V6 TDi (+)	08.97 → 09.99	<b>376028SP</b>	E2034 <sup>1</sup>	<b>26654</b>	MK190 PK088		<b>376058SP</b>	E2051 <sup>1</sup>			
 (+) → ch.no. 3B-YE121 221	08.97 → 09.99	<b>376028SP</b>	E2034 <sup>1</sup>	<b>26654</b>	MK190 PK088		<b>376010SP</b>	E2052 <sup>1</sup>			
 (+) → ch.no. 3B-YE121 221	08.97 → 09.99			<b>26655</b>	MK190 PK088			∅	∅		
1.8, 1.9 TDi, 2.0, 2.3 V5, 2.8 V6, 2.5 V6 TDi (+) ch.no. 3B-YE121 222 →	09.99 → 05.05	<b>376054SP</b>	E2048 <sup>1</sup>	<b>26663</b>	MK190 PK088		<b>376058SP</b>	E2051 <sup>1</sup>			
 (+) ch.no. 3B-YE121 222 →	09.99 → 05	<b>376054SP</b>	E2048 <sup>1</sup>		MK113 MK190 PK088		<b>376010SP</b>	E2052 <sup>1</sup>			
 (+) ch.no. 3B-YE121 222 →	09.99 → 05.05	<b>376044SP</b>	E2049 <sup>1</sup>		MK113 MK190 PK088			∅	∅		

## PASSAT VARIANT (B6)

 (+) (-) (-) 3.2 FSi (-) 3.6 FSi	03.05 → 12.14	<b>742242SP</b>	E7031 <sup>1</sup>	<b>16498</b>	MK345 MK194 I79 PK163		<b>376082SP</b>	E1357 <sup>1</sup>	<b>G1057</b>	MK203 PK137	
 (+) (-) (-) 3.2 FSi (-) 3.6 FSi	03.05 → 12.14	<b>742247SP</b>	E7030 <sup>1</sup>		MK345 MK194 I79 PK163		<b>376082SP</b>	E1357 <sup>1</sup>	<b>G1057</b>	MK203 PK137	
 (+)	08.05 → 12.14	<b>C2513S</b>					<b>C1514R</b> 				
							<b>C1517L</b> 				

## PASSAT VARIANT 4-Motion (B6)

 (+) (-) (-) 3.2 FSi (-) 3.6 FSi	03.05 → 12.14	<b>742242SP</b>	E7031 <sup>1</sup>	<b>16498</b>	MK345 MK194 I79 PK163		<b>376082SP</b>	E1357 <sup>1</sup>	<b>G1057</b>	MK203 PK137	
--	---------------	-----------------	--------------------	--------------	--------------------------------	--	-----------------	--------------------	--------------	----------------	--

MC... =

MK... =

PK... =



	OESPECTRUM	REFLEX	ORIGINAL			OESPECTRUM	REFLEX	ORIGINAL		
	RIDESENSE	ADVENTURE				RIDESENSE	ADVENTURE	LEVELING		

	03.05 → 12.14	<b>742247SP</b>	E7030 <sup>1</sup>		MK345 MK194 !79 PK163		<b>376082SP</b>	E1357 <sup>1</sup>	<b>G1057</b>	MK203 PK137		
	08.05 → 12.14	<b>C2513S</b>					<b>C1514R</b> 					
							<b>C1517L</b> 					

### PASSAT (B8)

1.4 TSi, 1.8 TFSi, 2.0 TFSi, 1.6 TDi, 2.0 TDi (-)	08.14 →	<b>742269SP</b>			MK411		<b>376246SP</b>					
	08.14 →	<b>C2516S</b>					<b>C1521S</b>					

### PASSAT ALLTRACK (B8)

1.4 TSi, 2.0 TFSi, 2.0 TDi (-)	05.15 →	<b>742269SP</b>			MK411		<b>376246SP</b>					
	05.15 →	<b>C2516S</b>					<b>C1521S</b>					

### POLO I, II, III

	→ 07.75			<b>MR828</b>	MK034 PK045							
	08.75 → 07.94			<b>MR828</b>	MK034 PK045				<b>R3720</b>	PK016		
	10.94 → 09.99			<b>11202</b>	MC212 MK068 MK344 !79 PK051			E1071 <sup>1</sup>	<b>R3796</b>	MK133 PK048		
	10.99 → 11.01			<b>11202</b>	MC212 MK156 PK012			E1071 <sup>1</sup>	<b>R3796</b>	MK133 PK048		
<b>GTi</b> 3 , 5	10.94 → 09.99		E4980 <sup>1</sup>		MC212 MK068 MK344 !79 PK051			E1071 <sup>1</sup>		MK133 PK048		
<b>GTi</b> 3 , 5	10.99 → 11.01		E4980 <sup>1</sup>		MC212 MK156 MK345 !79 PK012			E1071 <sup>1</sup>		MK133 PK048		
<b>Classic</b> 4	11.95 → 09.99		E4355 <sup>1</sup>	<b>11250</b>	MC212 MK067 MK344 !79 PK001			E1071 <sup>1</sup>	<b>R3796</b>	MK133 PK049		
<b>Classic</b> 4	10.99 → 11.01		E4355 <sup>1</sup>	<b>11250</b>	MC212 MK156 MK345 !79 PK012			E1071 <sup>1</sup>	<b>R3796</b>	MK133 PK049		

### POLO III VARIANT

	05.97 → 08.99		E4355 <sup>1</sup>	<b>11250</b>	MC212 MK067 PK001			E1214 <sup>1</sup>	<b>23886</b>	MK133 PK049		
1.9 SDi, 1.9 TDi	05.97 → 08.99		E4513 <sup>1</sup>	<b>G16577</b>	MC212 MK067 PK001			E1214 <sup>1</sup>	<b>23886</b>	MK133 PK049		
	09.99 → 09.01		E4355 <sup>1</sup>	<b>11250</b>	MC212 MK156 PK001			E1214 <sup>1</sup>	<b>23886</b>	MK133 PK049		
1.9 SDi, 1.9 TDi	09.99 → 09.01		E4513 <sup>1</sup>	<b>G16577</b>	MC212 MK156 PK001			E1214 <sup>1</sup>	<b>23886</b>	MK133 PK049		

MC... =      MK... =      PK... =

VOLKSWAGEN



<b>MONROE</b>	OESPECTRUM	REFLEX	ORIGINAL			OESPECTRUM	REFLEX	ORIGINAL		
	RIDESENSE	ADVENTURE				RIDESENSE	ADVENTURE	LEVELING		

**POLO IV**

 (+) <b>ND</b>	 11.01→04.12	<b>742052SP</b>	E4997 <sup>1</sup>	<b>16451</b>	MK345 MK156 <b>I79</b> PK012		<b>376224SP</b>	E1274 <sup>1</sup>	<b>23950</b>	MK118 PK078	
 (+) <b>SP</b>	 11.01→04.12	<b>742042SP</b>	E4998 <sup>1</sup>		MK345 MK156 <b>I79</b> PK012		<b>376041SP</b>	E1309 <sup>1</sup>		MK118 PK078	
 (+) <b>HD</b>	 11.01→11.09	<b>742042SP</b>	E4998 <sup>1</sup>		MK345 MK156 <b>I79</b> PK012		<b>376036SP</b>			MK118 PK078	

**POLO V**

 (+) <b>ND</b> (-) GTi (-) Cross	03.09→.18	<b>742036SP</b>	E7091 <sup>1</sup>	<b>G8109</b>	MK344 MK077 <b>I79</b> PK076		<b>376224SP</b>	E1274 <sup>1</sup>	<b>23950</b>	MK118 PK078	
 (+) <b>SP</b> (+) GTi (-) Cross	03.09→.18	<b>742044SP</b>			MK344 MK077 <b>I79</b> PK076		<b>376041SP</b>	E1309 <sup>1</sup>		MK118 PK078	

**POLO V**

 (=) ORIG RUSSIA	03.10→.18			<b>G8109</b>	MK344 MK077 <b>I79</b> PK076				<b>G1239</b>	MK118 PK078	
---------------------	-----------	--	--	--------------	---------------------------------------	--	--	--	--------------	----------------	--

**I79**

MK001, MK202, MK342, MK343, MK344, MK345, MK346, MK347 =   
 MK149, MK208, MK263R, MK264L, MK271, MK321, MK322, MK376 =   
 MK067, MK068, MK077, MK156, MK194, MK326, MK332, MK334R, MK335L, MK337, MK372 = +

**POLO VI**

	18→				<b>MK411</b>						
--	-----	--	--	--	--------------	--	--	--	--	--	--

**SANTANA**

 → ch.no. 32 D 155757	08.81→03.83			<b>MR976</b>	MK032 PK001					PK017	
 ch.no. 32 D 155758 →	04.83→03.88			<b>MR976</b>	MK032 PK001				<b>R3726</b>	PK017	

**SCIROCCO I, II (53, 53B)**

 (-) GT 16V	02.74→07.92			<b>MR826</b>	MK070 PK001				<b>R3715</b>	PK015	
----------------	-------------	--	--	--------------	----------------	--	--	--	--------------	-------	--

**SCIROCCO III (137)**

 (-) TFSi R, TSi R (-)	06.08→	<b>742245SP</b>	E7057 <sup>1</sup>		MK345 MK194 <b>I79</b> PK163		<b>376099SP</b>	E1341 <sup>1</sup>	<b>G2101</b>	MK203 PK078	
 (-) TFSi R, TSi R (+)	06.08→	<b>C2513S</b>					<b>C1514R</b> 				
							<b>C1517L</b> 				

**SHARAN I (7M)**

	9.95→3.10		E4562 <sup>1</sup>	<b>G16694</b>	MK344 MK067 <b>I79</b> PK060			E1286 <sup>1</sup>	<b>23957</b>		
--	-----------	--	--------------------	---------------	---------------------------------------	--	--	--------------------	--------------	--	--

MC... =

MK... =

PK... =



	OESPECTRUM	REFLEX	ORIGINAL			OESPECTRUM	REFLEX	ORIGINAL		
	RIDESENSE	ADVENTURE				RIDESENSE	ADVENTURE	LEVELING		

## SHARAN II (7N)

1.4 TFSi, 2.0 TSi, 2.0 TFSi, 05.10→ 2.0 TDi (-) (-)			G8264					G1218		
1.4 TFSi, 2.0 TSi, 2.0 TFSi, 05.10→ 2.0 TDi (-) (+)			G8264							
1.4 TFSi, 2.0 TSi, 2.0 TFSi, 05.10→ 2.0 TDi (+) (-)	C2513S							C1514R 		
								C1517L 		

## TARO (4 x 2)

Taro, Taro CL 02.89→03.97 Std. Cab. Taro CL, Taro GL Extra Cab. Taro, Taro CL Double Cab.			D8468					D8004		
--	--	--	-------	--	--	--	--	-------	--	--

## TARO (4 x 4)

Taro, Taro CL 02.89→03.97 Std. Cab. Taro, Taro CL Double Cab.			D5467					D8466		
Taro CL, Taro GL 02.89→03.97 Extra Cab.			D6432					D8467		

## TIGUAN I

1.4 TSi, 2.0 TFSi, 11.07→ 17 2.0 Tdi (+/-) 4-Motion (+/-) Blue Motion (+/-) Sport	742248SP	E7026 <sup>1</sup>			MK345 MK194 I79 PK163			376063SP	E7813 <sup>1</sup>	MK203 PK137	
 (+)	11.07→ 17	C2513S						C1515R 			
								C1516L 			

## TIGUAN II 5

1.5 TSi, 2.0 TSi, 2.0 TFSi, 01.16→ 1.6 TDi, 2.0 TDi (+)	C2516S							C1521S			
---	--------	--	--	--	--	--	--	--------	--	--	--

## TIGUAN II ALLSPACE 7

1.4 TSi, 2.0 TSi, 03.17→ 2.0 TDi (+)	C2516S							C1521S			
--	--------	--	--	--	--	--	--	--------	--	--	--

## TOUAREG (7L6/7LA)

3.2 V6, 3.6 V6, 4.2 V8, 2.5 TDi, 3.0 TDi, 5.0 TDi (-)  SP (-) (-) (-) 6.0 V12			D0303 (D0303R D0304L)		MK341 PK329			D8072			
--	--	--	-----------------------------	--	----------------	--	--	-------	--	--	--

MC... =

MK... =

PK... =



	OESPECTRUM	REFLEX	ORIGINAL			OESPECTRUM	REFLEX	ORIGINAL		
	RIDESENSE	ADVENTURE				RIDESENSE	ADVENTURE	LEVELING		

### TOUAREG (7P5/7P6)

3.6 Fsi, 4.2 Fsi, 01.10→ 18 3.0 Tdi, 4.2 Tdi, 3.0 Tsi hybrid (-) SP (-) (-)		D0312 (D0312R D0313L)					D0314				
---	--	-----------------------------	--	--	--	--	-------	--	--	--	--

### TOURAN I (1T\_)

1.6, 1.6 FSi, 2.0 FSi, 1.9 TDi, 02.03→ 05.15 2.0 TDi 1.2 TSi, 1.4 TSi, 1.4 TSi Eco- 05.10→ 05.15 Fuel, 1.6 TDi, 2.0 TDi (+) ND (+) SP (-)	742248SP	E7026 <sup>1</sup>		MK345 MK194 I79 PK163		376052SP	E1335 <sup>1</sup>	G2513	MK203 MK386 I78 PK145 PK331	
1.6, 1.6 FSi, 2.0 FSi, 1.9 TDi, 02.03→ 05.15 2.0 TDi 1.2 TSi, 1.4 TSi, 1.4 TSi Eco- 05.10→ 05.15 Fuel, 1.6 TDi, 2.0 TDi (+) HD (-)	742245SP	E7057 <sup>1</sup>		MK345 MK194 I79 PK163		376062SP	E1339 <sup>1</sup>		MK386 PK145	
02.03→ 05.10 (+)	C2513S					C1514R 				
						C1517L 				

!80

!79

- MK001, MK202, MK342, MK343, MK344, MK345, MK346, MK347 =
- MK149, MK208, MK263R, MK264L, MK271, MK321, MK322, MK376 =
- MK067, MK068, MK077, MK156, MK194, MK326, MK332, MK334R, MK335L, MK337, MK372 =

!78



### TOURAN II (5T\_)

1.2 TSi, 1.4 TSi, 1.8 TFSi, 05.15→ 1.6 TDi, 2.0 TDi (-)	742270SP			MK411		376247SP				
1.2 TSi, 1.4 TSi, 1.8 TFSi, 05.15→ 1.6 TDi, 2.0 TDi (+)	C2516S					C1521S				

### TRANSPORTER, CARAVELLE, MULTIVAN

T4 (+/-) Syncro 90→ 03				V2065					V2077	
T5 (+) ND (+) HD (+/-) 4MOTION 04.03→ 11.15				V4505	MK346 MK271 MK372 I79 PK330				V1170	
T5 (+) (+) SP (+/-) 4MOTION 04.03→ 11.15				V4506	MK346 MK271 MK372 I79 PK330				V1170	

MC... =      MK... =      PK... =

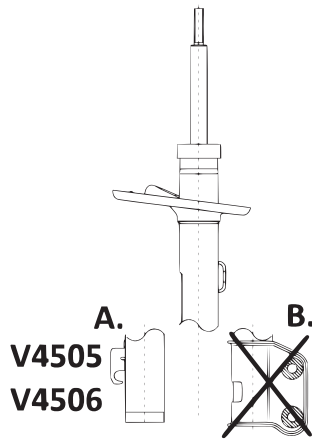




<b>MONROE</b>	OESPECTRUM	REFLEX	ORIGINAL			OESPECTRUM	REFLEX	ORIGINAL		
	RIDESENSE	ADVENTURE				RIDESENSE	ADVENTURE	LEVELING		

<b>T6</b> (-) (+/-) 4MOTION	04.15→			V4505	<b>!97</b> PK330				V1170		
<b>T6</b> (-) (+) (+/-) 4MOTION	04.15→			V4506	<b>!97</b> PK330				V1170		
<b>T6</b> (+) (+/-) 4MOTION	04.15→	C2517R 							C1523R 		
		C2518L 							C1524L 		

**!97**



**T-ROC**

	18→				MK411					
--	-----	--	--	--	-------	--	--	--	--	--

**TYPE / BEETLE / KÄFER**

<b>1200, Buggy</b>	01.54→07.65										
<b>T1</b> 1500, 1600	01.54→ 67				R1045				R1045		
<b>1200, 1300, 1500, Buggy</b> <b>1200 Mexico</b>	08.65→01.80										
<b>1600 Mexico</b>	73→ 92				R2578				R1045		
<b>1600i Mexico</b>	92→08.03										
(=)											
<b>1200, 1300, 1500, Buggy</b> <b>1200 Mexico</b>	08.66→01.80										
<b>1600 Mexico</b>	73→ 92				R2578				R1542		
<b>1600i Mexico</b>	92→08.03										
(=)											
<b>1302, 1303</b> → ch.no. F 1333200000	70→07.73										
<b>1303</b> → ch.no. F 1342000000	08.73→08.75								R1542		
<b>1303</b> ch.no. F 1342000001 →	09.75→12.75										
<b>1303</b> ch.no. F 1342000001 →	09.75→12.79				MR969				R1542		

MC... =      MK... =      PK... =



	OESPECTRUM	REFLEX	ORIGINAL			OESPECTRUM	REFLEX	ORIGINAL		
	RIDESENSE	ADVENTURE				RIDESENSE	ADVENTURE	LEVELING		

## TYPE II, TYPE II CARAVELLE

T 2	08.69→07.71			V1034						
T 2	08.71→04.79			V1034				V1018		
T 3 (-) Syncro	05.79→07.92			V2008				V2009		
T 3 Syncro (-) HD	08.85→12.92			V2401				V2505		

## TYPE II, TYPE II CARAVELLE

	02.62→04.79			R1545						
--	-------------	--	--	-------	--	--	--	--	--	--

## TYPE III

1500, 1600 (+/-) Karmann Ghia	04.61→07.67			R1045				R1045		
1600	08.67→12.73			R1045				R1542		

## UP

1.0, E-Up	8.11→			G7112	MK077 PK357			G2165	PK371	
--------------	-------	--	--	-------	----------------	--	--	-------	-------	--

## VENTO

 (+) ND → ch.no. 1H-SW062538 → ch.no. 1H-SB019475 (-) GT/VR 6 (-) TDi kW 81	01.92→07.94		E4202 <sup>1</sup>	11163	MC212 MK033 PK051			E1008 <sup>1</sup>	R3728	MK133 PK017	
 (+) ND ch.no. 1H-SW062539 → ch.no. 1H-SB019476 → (-) GT/VR 6 (-) TDi kW 81	08.94→12.97		E4355 <sup>1</sup>	11250	MC212 MK067 PK051			E1008 <sup>1</sup>	R3728	MK133 PK017	
GT, VR 6	01.92→12.97		E4513 <sup>1</sup>	G16577	MC212 MK067				23976	MK133 PK017	
TDi 81 kW	02.96→12.97		E4513 <sup>1</sup>	G16577	MC212 MK067			E1008 <sup>1</sup>	R3728	MK133 PK017	
 (+) HD → ch.no. 1H-SW062538 → ch.no. 1H-SB019475	08.91→07.94		E4513 <sup>1</sup>	G16577	MC212 MK033				R3775	MK133 PK017	
 (+) HD ch.no. 1H-SW062539 → ch.no. 1H-SB019476 →	07.94→12.97										
 (+) SP → ch.no. 1H-SW062538 → ch.no. 1H-SB019475	08.91→07.94		E4513 <sup>1</sup>	G16577	MC212 MK033				23976	MK133 PK017	
 (+) SP ch.no. 1H-SW062539 → ch.no. 1H-SB019476 →	07.94→12.97										

MC... =

MK... =

PK... =



	OESPECTRUM	REFLEX	ORIGINAL			OESPECTRUM	REFLEX	ORIGINAL		
	RIDESENSE	ADVENTURE				RIDESENSE	ADVENTURE	LEVELING		

# VOLVO

## 140, 160 SERIES

	08.66 → 12.75								R3242		
--	---------------	--	--	--	--	--	--	--	-------	--	--

## 240, 260 SERIES 2

	08.74 → 12.93			MR950 I30	MK082 PK010			E1107 <sup>1</sup>	R3273		
--	---------------	--	--	--------------	----------------	--	--	--------------------	-------	--	--

## 240, 260 SERIES

	08.74 → 12.93			MR950 I30	MK082 PK010			E1107 <sup>1</sup>	R3273		
(-) GL/GLi/Diesel											
GL, GLi, Diesel	04.79 → 12.93			MR950 I30	MK082 PK010				R3273 AK218 I50		

## 440 SERIES , 460 SERIES

	08.88 → 12.96			11126	MC212 PK069			E1028 <sup>1</sup>	R2687		
--	---------------	--	--	-------	----------------	--	--	--------------------	-------	--	--

## 480 SERIES

	04.86 → 08.96				PK069						
--	---------------	--	--	--	-------	--	--	--	--	--	--

## 740, 760

740 → ch.no. 81679	01.84 → 04.84				PK011			E1015 <sup>1</sup> AK226 I50	R3412 AK226 I50		
760 → ch.no. 81679	02.82 → 04.84										
740 ch.no. 81680 →	05.84 → 12.92										
760 ch.no. 81680 →	05.84 → 07.87		E3406 <sup>1</sup>	MR213	PK011			E1015 <sup>1</sup> AK226 I50	R3412 AK226 I50		
(=) (-) Turbo											
740 Turbo ch.no. 81680 → (-) 16V	05.84 → 08.92										
760 Turbo ch.no. 81680 →	05.84 → 07.87			MG251	MK085 PK011			E1015 <sup>1</sup> AK226 I50	R3412 AK226 I50		
(=)											
760 (=) (-) Turbo	08.87 → 07.92		E3406 <sup>1</sup>	MR213	MK085 PK011			∅	∅		
740 Turbo 16V, 760 Turbo (=)	08.87 → 12.92			MG251	MK085 PK011			∅	∅		

## 740, 760

740/745, 760 (=) (-) Turbo	02.85 → 08.92		E3406 <sup>1</sup>	MR213	MK085 PK011			E1015 <sup>1</sup>	R3412		
740/745 Turbo, 760 Turbo (=)	02.85 → 08.92			MG251	MK085 PK011			E1015 <sup>1</sup>	R3412		

MC... =

MK... =

PK... =



<b>MONROE</b>	OESPECTRUM	REFLEX	ORIGINAL			OESPECTRUM	REFLEX	ORIGINAL		
	RIDESENSE	ADVENTURE				RIDESENSE	ADVENTURE	LEVELING		

**780**

 (=) (-) Turbo	09.85→07.87		E3406 <sup>1</sup>	MR213	MK085 PK011			E1015 <sup>1</sup> + AK226	R3412 AK226		
 (=) (-) Turbo	08.87→08.91		E3406 <sup>1</sup>	MR213	MK085 PK011			∅	∅		
780 Turbo (=)	09.85→07.87			MG251	MK085 PK011			E1015 <sup>1</sup> + AK226	R3412 AK226		
780 Turbo (=)	08.87→08.91			MG251	MK085 PK011			∅	∅		

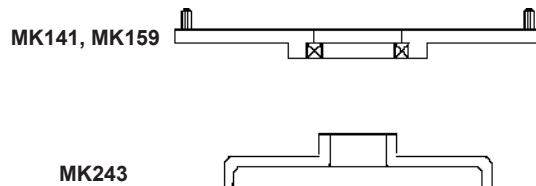
**850**

850 → ch.no. YVLS...R.174999 (-)	06.91→ 94		E4484 <sup>1</sup> (E4484R E4485L)	G8318  G8319 	MC112 MK141 MK243 I73 PK004			E1042 <sup>1</sup> AK227 I50	G21632 AK227 I50	MK134	
850 ch.no. YVLS...S.175000 → (-) T5R (-) (-)	94→10.97		E4499 <sup>1</sup>	11669	MC112 MK141 MK243 I73 PK004			E1042 <sup>1</sup> AK227 I50	G21632 AK227 I50	MK134	

**850**

850 → ch.no. YVLW...R.077999 (-)	08.92→ 94		E4484 <sup>1</sup> (E4484R E4485L)	G8318  G8319 	MC112 MK141 MK243 I73 PK004			E1042 <sup>1</sup>	G21632	I36 MK134	
850 ch.no. YVLW...S.078000 → (-) T5R (-) (-)	94→12.97		E4499 <sup>1</sup>	11669	MC112 MK141 MK243 I73 PK004			E1042 <sup>1</sup>	G21632	I36 MK134	

**I73**

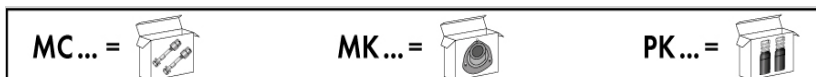


**940**

 (=)  & (=) (-) Turbo	09.90→10.98		E3406 <sup>1</sup>	MR213	MK085 PK011			E1015 <sup>1</sup> AK226 I50	R3412 AK226 I50		
940 Turbo (=)  & (=) (-) 16V	09.90→10.98			MG251	MK085 PK011			E1015 <sup>1</sup> AK226 I50	R3412 AK226 I50		
940 Turbo 16V (=)  & (=)	09.90→10.98			MG251	MK085 PK011			∅	∅		

**940**

 (=)  & (=) (-) Turbo	08.90→10.98		E3406 <sup>1</sup>		MK085 PK011			E1015 <sup>1</sup>	R3412		
940 Turbo (=)  & (=)	09.90→10.98			MG251	MK085 PK011			E1015 <sup>1</sup>	R3412		





	OESPECTRUM	REFLEX	ORIGINAL			OESPECTRUM	REFLEX	ORIGINAL		
	RIDESENSE	ADVENTURE				RIDESENSE	ADVENTURE	LEVELING		

**960**

(=)  & (=) → ch.no. YV1964...R.048299 (-) Turbo	09.90 → 08.94		E3406 <sup>1</sup>	MR213	MK085 PK011															
<b>960 Turbo</b> (=)  & (=) → ch.no. YV1964...R.048299	09.90 → 08.94			MG251	MK085 PK011															
(=)  & (=) ch.no. YV1964...S.048300 →	09.94 → 12.96		E4520 <sup>1</sup>	G8322	MC112 MK085 PK011			E1077 <sup>1</sup>	G1258											

**960**

<b>960</b> (=)  & (=) → ch.no. YV1965...R.018099 (-) Turbo	09.90 → 09.94		E3406 <sup>1</sup>		MK085 PK011			E1015 <sup>1</sup>	R3412												
<b>960 Turbo</b> (=)  & (=) → ch.no. YV1965...R.018099	09.90 → 09.94			MG251	MK085 PK011			E1015 <sup>1</sup>	R3412												
(=)  & (=) ch.no. YV1965...S.018100 →	09.94 → 12.96		E4520 <sup>1</sup>	G8322	MC112 MK085																

**C30**

1.6, 1.8, 2.0, 2.4i, 1.6 D, 2.0 D	10.06 → 08.13	742061SP 	E4642 <sup>1</sup> (E4642R E4643L)	G8811 	MK282 PK156			376233SP	E1342 <sup>1</sup>	G1234											
		742062SP 		G8812 																	

**C70**

<b>C 70</b> (-)	03.97 → 10.05		E4499 <sup>1</sup>	11669	MC112 MK243 PK004				E1042 <sup>1</sup> AK227 I50	G21632 AK227 I50										
--------------------	---------------	--	--------------------	-------	-------------------------	--	--	--	------------------------------------	------------------------	--	--	--	--	--	--	--	--	--	--

**C70**

2.4, 2.4i, 2.0 D, 2.4 D	09.05 → 06.13	742061SP 	E4642 <sup>1</sup> (E4642R E4643L)	G8811 	MK282 PK156																
		742062SP 		G8812 																	

**P SERIES**

PV 444, PV 544	45 → 66			R1061						R3216										
PV 445, P 210 Duett	57 → 63			R1061																
P 120, P 130 Series Amazon	57 → 70			R1504						R1121										
P 1800	61 → 73			R1504																

**P SERIES**

P 220 Series Amazon	62 → 70			R1504						R1011										
---------------------	---------	--	--	-------	--	--	--	--	--	-------	--	--	--	--	--	--	--	--	--	--

MC... =      MK... =      PK... =



	OESPECTRUM	REFLEX	ORIGINAL			OESPECTRUM	REFLEX	ORIGINAL		
	RIDESENSE	ADVENTURE				RIDESENSE	ADVENTURE	LEVELING		

## S40, V40

1.6 16V, 1.7 16V, 1.8, 1.9, 1.9 16V, 2.0 16V, 1.9 tD Family + Comfort Line (-) Sports Line (-) T 4 (-) TWR	09.95 → 05.99			16688 	MC212 MK140 PK044				23828	I36 MK244 PK081	
				16689 							
1.6 16V, 1.7 16V, 1.8, 1.9, 1.9 16V, 2.0 16V, 1.9 tD Sports Line (+/-) T 4 (-) TWR	09.95 → 05.99			G16690 	MC212 MK140 PK044				23829	I36 MK244 PK081	
				G16691 							
1.6 16V, 1.7 16V, 1.8, 1.9, 1.9 16V, 1.9 tD Comfort Line (-) Sports Line (-) T 4 (Dynamic) (-) TWR	06.99 → 04.00			G16783 	MC212 MK389 PK044				23828	I36 MK244 PK081	
				G16784 							
1.6 16V, 1.7 16V, 1.8, 1.9, 1.9 16V, 1.9 tD Sports Line (-) T 4 (Dynamic) (-) TWR	06.99 → 04.00			G16785 	MC212 MK389 PK044				Ø	Ø	I36
				G16786 							
1.9 16V Turbo kW 147 T 4 Dynamic (-) TWR	06.99 → 04.00			G16785 	MC212 MK389 PK044				23829	I36 MK244 PK081	
				G16786 							
1.6 16V, 1.8, 1.8 16V, 1.9, 1.9 16V, 2.0 1.9 tD, Comfort Line (-) Sports Line (-) T 4 (Dynamic) (-)	04.00 → 12.04			16796 	MC212 MK389 PK086				23930	PK081	
				16797 							
1.6 16 V, 1.8, 1.8 16 V, 1.9, 1.9 16 V, 2.0 1.9 tD, Sports Line (-) T 4 (Dynamic) (-)	04.00 → 12.04			16798 	MC212 MK389 PK086				Ø	Ø	I36
				16799 							
2.0 16V Turbo kW 147 T 4 Dynamic (-)	04.00 → 12.04			16798 	MC212 MK389 PK086				23931	PK081	
				16799 							
 (+)	04.00 → 12.03				MC212 MK389 PK086				23932	PK081	

## S40, V50

1.6, 1.8, 2.4, 2.5, 1.6 D, 2.0 D, 2.4 D (=) (4 x 2) (+/-) Comfort, Sport, Dynamic	01.04 → 05.12	742061SP 	E4642 <sup>1</sup> (E4642R E4643L)	G8811 	MK282 PK156				376233SP	E1342 <sup>1</sup>	G1234	I36 MK376 PK184	
		742062SP 		G8812 									

## V40

1.6, 2.0, 2.5, 1.6D, 2.0D	03.12 →			G8419 					G1219	
				G8420 						

MC... =

MK... =

PK... =



<b>MONROE</b>	OESPECTRUM	REFLEX	ORIGINAL			OESPECTRUM	REFLEX	ORIGINAL		
	RISESENSE	ADVENTURE				RISESENSE	ADVENTURE	LEVELING		

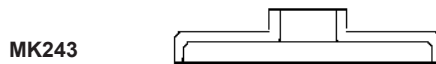
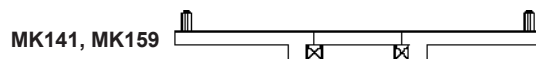
**V40 Cross Country**

1.6, 2.0, 2.5, 1.6D, 2.0D (=) (4x2)	10.12→			G8425					G1219	
				G8426						
1.6, 2.0, 2.5, 1.6D, 2.0D (=) (4x4)	10.12→			G8425						
				G8426						

**S60**

2.4 20 V, 2.4 20 V Bi-Fuel, 2.0 20 V Turbo, 2.4 20 V Turbo, T 5 2.3 20 V Turbo, 2.4 D Turbo, D 5 2.4 Turbo Diesel (=) (4 x 2) (-) R 2.5 20 V (-)  Four-C	07.00→04.10	742054SP	E4618 <sup>1</sup>	G16826	MC114 MK159 MK243 I73 PK105			376086SP	E5615 <sup>1</sup>	G55023	I36 MK195	
 (=) (4 x 2) (+)  Four-C	7.00→ 4.10	C2502S						C1502S				
R 2.5 20 V AWD (=) (4 x 4) (+)  Four-C	07.00→04.10	C2501S						C1501S				
2.4 20 V Turbo AWD, 2.5 20 V Turbo AWD (=) (4 x 4) (-)  Four-C	11.01→04.10	742054SP	E4618 <sup>1</sup>	G16826	MC114 MK159 MK243 I73 PK105						I36 MK195	
2.4 20 V Turbo AWD, 2.5 20 V Turbo AWD (=) (4 x 4) (+)  Four-C	11.01→04.10	C2502S						C1503S				

I73



**S60/V60**

 (-) AWD / 4 x 4 (-)  Four-C (+) Cross Country	04.10→ 18			G8421	MK400 MK323 PK292			376083SP	E2071 <sup>1</sup>	G2224		
				G8422								
 (+) AWD / 4 x 4 (-)  Four-C (+) Cross Country	04.10→ 18			G8421	MK323 PK292							
				G8422								
 (+)  Four-C	04.10→07.18	C2510R						C1512S				
		C2511L										





	OESPECTRUM	REFLEX	ORIGINAL			OESPECTRUM	REFLEX	ORIGINAL		
	RIDESENSE	ADVENTURE				RIDESENSE	ADVENTURE	LEVELING		

## S70

<b>S 70</b> (=) (4 x 2) (-)	01.97 → 08.00		E4499 <sup>1</sup>	<b>11669</b>	MC112 MK141 MK243 I73 PK004			E 1042 <sup>1</sup> AK227 I50	<b>G21632</b> AK227 I50	MK134	
-----------------------------------	---------------	--	--------------------	--------------	---	--	--	-------------------------------------	-------------------------------	-------	--

## S80

2.4 20V, 2.9 24V, 2.0 20V Turbo, 2.5 20V Turbo, T 6 2.8 24V Turbo AWD, T 6 2.9 24V Turbo AWD, 2.4 TD, 2.5 TD, D 5 2.4 TD (+/-) → ch.no. 153439 (-) (-)	05.98 → 07.06	<b>742054SP</b>	E4618 <sup>1</sup>	<b>G16826</b>	MC114 MK243 PK105		<b>376086SP</b>	E5615 <sup>1</sup>	<b>G55023</b>	I36 MK195	
2.4 20V, 2.9 24V, 2.0 20V Turbo, 2.5 20V Turbo, T 6 2.8 24V Turbo AWD, T 6 2.9 24V Turbo AWD, 2.4 TD, 2.5 TD, D 5 2.4 TD (+/-) ch.no. 153439 → (-) (-)	05.98 → 07.06	<b>742054SP</b>	E4618 <sup>1</sup>	<b>G16826</b>	MC114 MK159 MK243 I73 PK105		<b>376086SP</b>	E5615 <sup>1</sup>	<b>G55023</b>	I36 MK195	
2.4 20 V, 2.9 24 V, 2.0 20 V Turbo, 2.5 20 V Turbo, T 6 2.8 24 V Turbo AWD, T 6 2.9 24 V Turbo AWD, 2.4 TD, 2.5 TD, D 5 2.4 TD (+) ch.no. 153439 →	05.98 → 07.06	<b>C2502S</b>					<b>C1502S</b>				

## S80 II

2.0, 2.5 T, 3.0 T, 3.2, 2.0 TDi, 2.4 D (=) (4 x 2) (-)	03.06 → 04.16	<b>742106SP</b> 	E7076 <sup>1</sup> (E7076R E7077L)	<b>G8198</b> 	MK400 MK323 PK292		<b>376083SP</b>	E2071 <sup>1</sup>	<b>G2224</b>	I36 MK393	
T 6 AWD, D 5, D 5 AWD (-)	03.06 → 04.16	<b>742106SP</b> 	E7076 <sup>1</sup> (E7076R E7077L)	<b>G8198</b> 	MK400 MK323 PK292					I36 MK393	
 (+)	03.06 → 04.16	<b>C2510R</b> 					<b>C1512S</b>				
		<b>C2511L</b> 									

## S90

<b>S 90</b> (=)  & (=)	01.97 → 05.98		E4520 <sup>1</sup>	<b>G8322</b>	MC112 MK085 PK057			E 1077 <sup>1</sup>	<b>G1258</b>	I36	
---------------------------	---------------	--	--------------------	--------------	-------------------------	--	--	---------------------	--------------	-----	--

## V70 I

1.9, 2.0, 2.4, 2.5, 2.0 20V, 2.0 T, 2.4 T, 2.3 T, 2.3 T 5, 2.4 Bi-Fuel, 2.5 Bi-Fuel, 2.5 TDi, 2.0 T AWD, 2.3 T AWD, 2.5 T AWD, 2.3 T 5 AWD (-)	01.97 → 03.00		E4499 <sup>1</sup>	<b>11669</b>	MC112 MK141 MK243 I73 PK004			E 1042 <sup>1</sup>	<b>G21632</b>	I36 MK134	
--	---------------	--	--------------------	--------------	---	--	--	---------------------	---------------	--------------	--

MC... =

MK... =

PK... =





	OESPECTRUM	REFLEX	ORIGINAL			OESPECTRUM	REFLEX	ORIGINAL		
	RIDESENSE	ADVENTURE				RIDESENSE	ADVENTURE	LEVELING		

**V70 II**

2.4, 2.0 T, 2.4 T, 2.3 T 5, 2.4 Bi-Fuel, 2.4 D, 2.4 D 5, 2.5 TDi (=) (4 x 2) (-)  Four-C	03.00 → 08.07	742054SP	E4618 <sup>1</sup>	G16826	MK159 MK243 !73 PK105		376086SP	E5615 <sup>1</sup>	G55023	!36 MK195	
2WD (=) (4 x 2) (+)  Four-C	03.00 → 08.07	C2502S					C1502S				
2.4 T AWD, 2.5 T AWD (=) (4 x 4) (-) R 2.5 T AWD (-)  Four-C	03.00 → 08.07	742054SP	E4618 <sup>1</sup>	G16826	MC114 MK159 MK243 !73 PK105					!36 MK195	
AWD (=) (4 x 4) (+)  Four-C (-) R 2.5 T	03.00 → 08.07	C2502S					C1502S				
R 2.5 T AWD (=) (4 x 4) (+)  Four-C	03.00 → 10.07	C2501S					C1501S				

**V70 III**

2.0, 2.5 T, 3.0 T, 3.2, 1.6 D, 2.0 D, 2.4 D (=) (4 x 2) (-)	08.07 → 05.16	742106SP	E7076 <sup>1</sup> (E7076R E7077L)	G8198	MK400 MK323 PK292		376083SP	E2071 <sup>1</sup>	G2224	!36 MK393	
		742107SP		G8199							
3.0 T6 AWD, 2.4 D5, 2.4 D5 AWD (-)	08.07 → 05.16	742106SP	E7076 <sup>1</sup> (E7076R E7077L)	G8198	MK400 MK323 PK292					!36 MK393	
		742107SP		G8199							
Four-C (+)	08.07 → 05.16	C2510R					C1513S				
		C2511L									

**V90**

V 90 (=)  & (=)	11.96 → 04.99		E4520 <sup>1</sup>	G8322	MC112 MK085					!36	
--------------------	---------------	--	--------------------	-------	----------------	--	--	--	--	-----	--

**XC60**

2.0, 3.0, 3.2, 2.0 D (-)	05.08 → 02.17	742240SP	E7080 <sup>1</sup> (E7080R E7081L)		MK400 MK323 PK370		376157SP			!36 MK393	
		742241SP									

**XC70**

2.5 T5 2.4 D5 (-)	09.02 → 04.08	742054SP		G16826							
Four-C (+)	06.02 → 10.07	C2503S					C1503S				

**XC70 II**

2.0, 2.5, 3.0, 3.2, 2.0 D, 2.4 D (+/-) AWD (-)	08.07 → 12.16	742106SP	E7076 <sup>1</sup> (E7076R E7077L)	G8198	MK400 MK323 PK105		376083SP	E2071 <sup>1</sup>	G2224	!36 MK393	
		742107SP		G8199							

MC... =      MK... =      PK... =

VOLVO



	OESPECTRUM	REFLEX	ORIGINAL			OESPECTRUM	REFLEX	ORIGINAL		
	RIDESENSE	ADVENTURE				RIDESENSE	ADVENTURE	LEVELING		

**XC90**

2.5, 2.9, 3.2, 4.4, 2.4 D (-)  Four-C	06.02 → 12.14	742073SP	E7098 <sup>1</sup>		MK159		376098SP	E7502 <sup>1</sup>		136	
---	---------------	----------	--------------------	--	-------	--	----------	--------------------	--	-----	--

**WARTBURG**



1000, 313, 353, 353 Tour	01.57 → 05.91			R3042					R3042		
--------------------------	---------------	--	--	-------	--	--	--	--	-------	--	--

**ZASTAVA**

Type 101 Type 128 GTL 55, 65 1100, 1300 Yugo 311, 511 1100 Yugo 313, 513 1300 FIAT 128 Type	6.72 → 12.93			R11003	MC110				R11004		
Yugo 45, 55, 65	10.78 → 06.95			16076	MC110				R11004		
Yugo Miami, Florida	10.89 → 10.95			11011	MC110			E1008 <sup>1</sup>	R3728	PK017	

**Z.A.Z**

**CHANCE**

	01.09 →			MR253	MK037 PK004			E1003 <sup>1</sup>	R1622		
--	---------	--	--	-------	----------------	--	--	--------------------	-------	--	--

MC... =      MK... =      PK... =

